

SAW Filter: 469.80MHz
Part No: MP05505

Model: TB0961A
Rev No: 1

A. MAXIMUM RATING:

1. Operating temperature range: -30°C to 85°C
2. Storage temperature range: -40°C to 85°C
3. Input Power Level: 10dBm
4. Maximum DC Voltage: 10V

B. CHARACTERISTICS:

Item	Unit	Min.	Typ.	Max.
Center frequency Fc	MHz	-	469.8	-
Insertion Loss IL	dB	-	10.8	14.0
-1dB bandwidth	MHz	54	58	-
-40dB bandwidth	MHz	-	76	80
Passband Ripple Fc ± 25MHz	dB	-	0.6	1.0
Attenuation:(Reference level from Min IL)				
DC ~ 360MHz	dB	45	60	-
360MHz ~ 389MHz	dB	40	58	-
389MHz ~ 430MHz	dB	30	44	-
517MHz ~ 550MHz	dB	35	41	-
550MHz ~ 600MHz	dB	40	55	-
600MHz ~ 890MHz	dB	45	52	-
890MHz ~ 1000MHz	dB	35	52	-
Temperature Coefficient	ppm/°C	-	-94	-
Source Impedance	Ohm	-	50	-
Load Impedance	Ohm	-	50	-

SAW Filter: 469.80MHz
Part No: MP05505

Model: TB0961A
Rev No: 1

C. FREQUENCY CHARACTERISTICS:

1. Wide band Response: (span 400MHz)

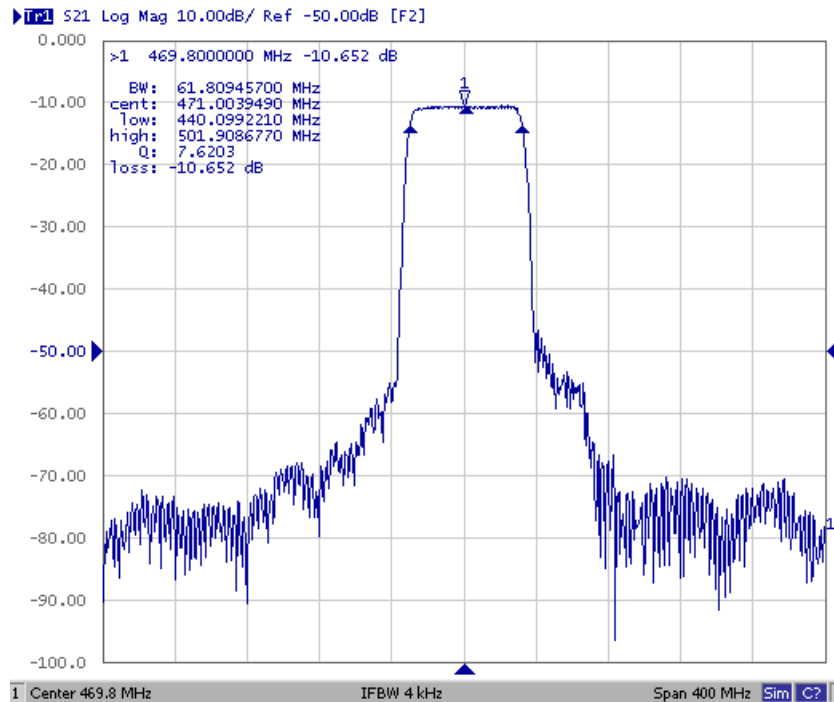


Fig. 1. Horizontal: 40MHz / Div, Vertical: 10dB / Div

2. Pass band Response and Group Time Delay response:

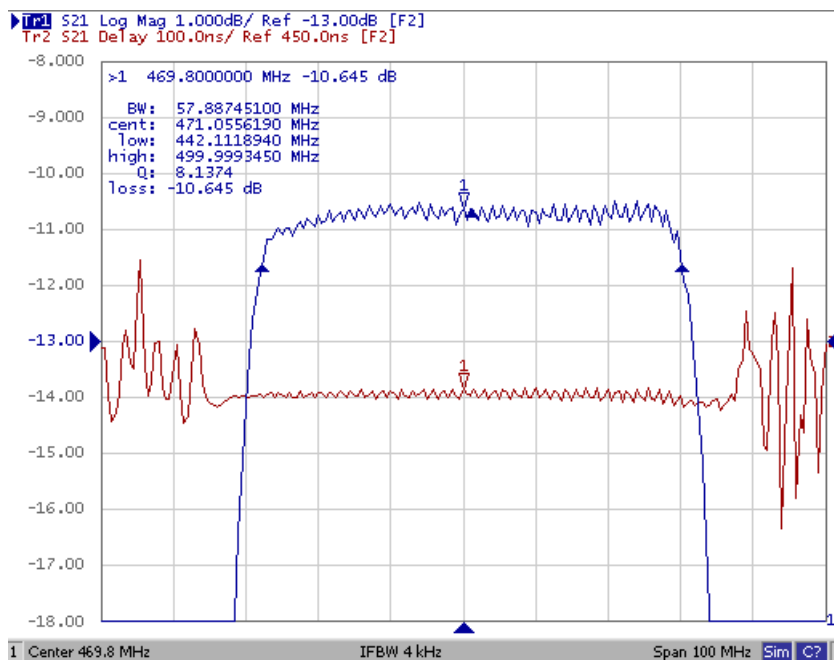
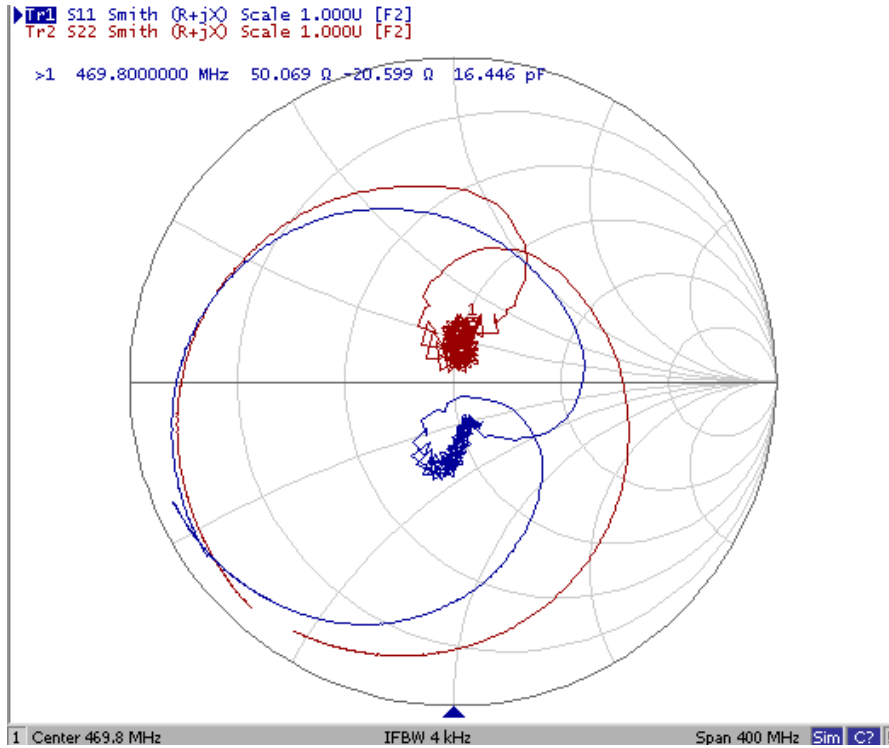


Fig 2. Horizontal: 10MHz / Div, Vertical: 1dB / Div, Vertical: 100ns / Div

SAW Filter: 469.80MHz
Part No: MP05505

Model: TB0961A
Rev No: 1

3. Smith Chart:



4. Wide Band:

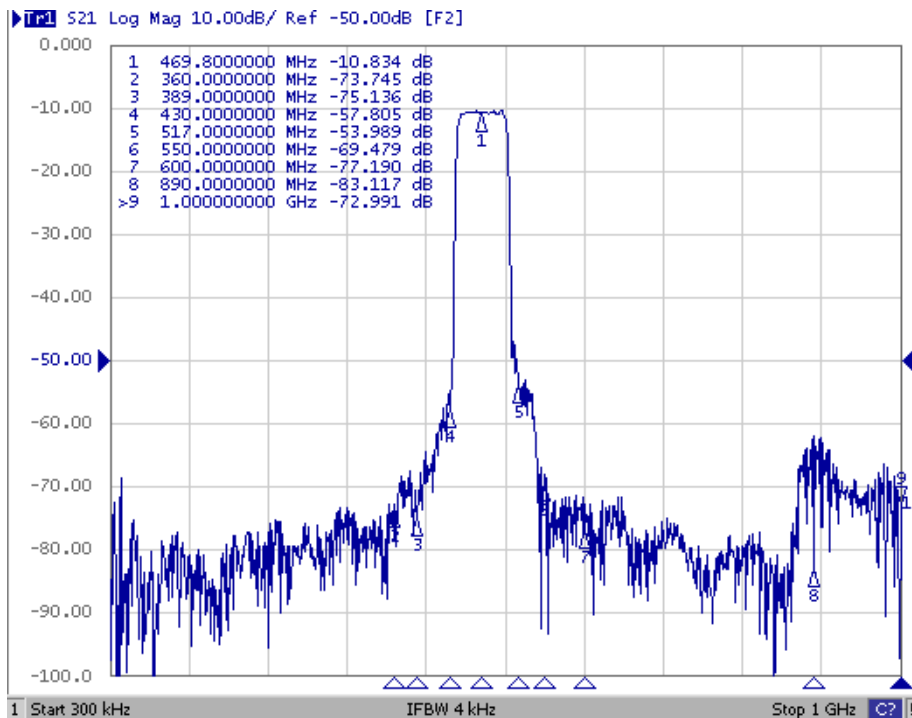
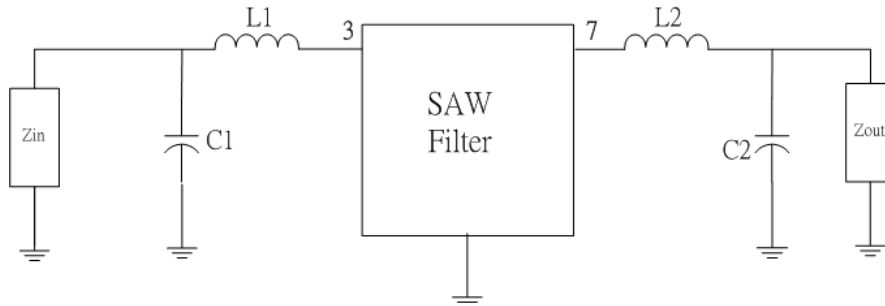


Fig. 4. Horizontal: 100MHz / Div, Vertical: 10dB / Div

SAW Filter: 469.80MHz
Part No: MP05505

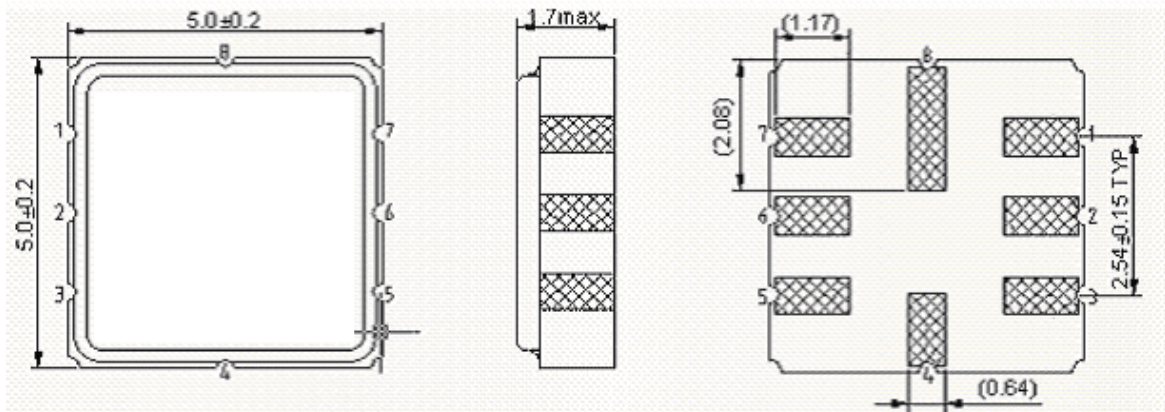
Model: TB0961A
Rev No: 1

D. MATCHING CIRCUIT:



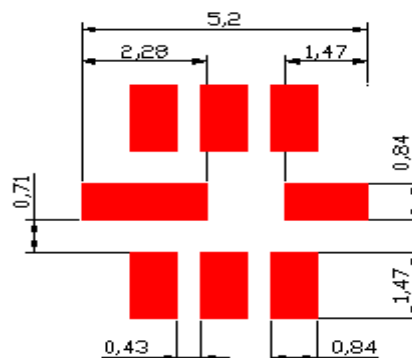
$L1 = L2 = 18nH, C1 = 10pF, C2 = 7pF$

E. OUTLINE DRAWING:



- 3: Input
 - 2: Input ground
 - 7: Output
 - 6: Output ground
 - 1, 4, 5, 8: Ground
- Unit: mm

F. PCB FOOTPRINT:

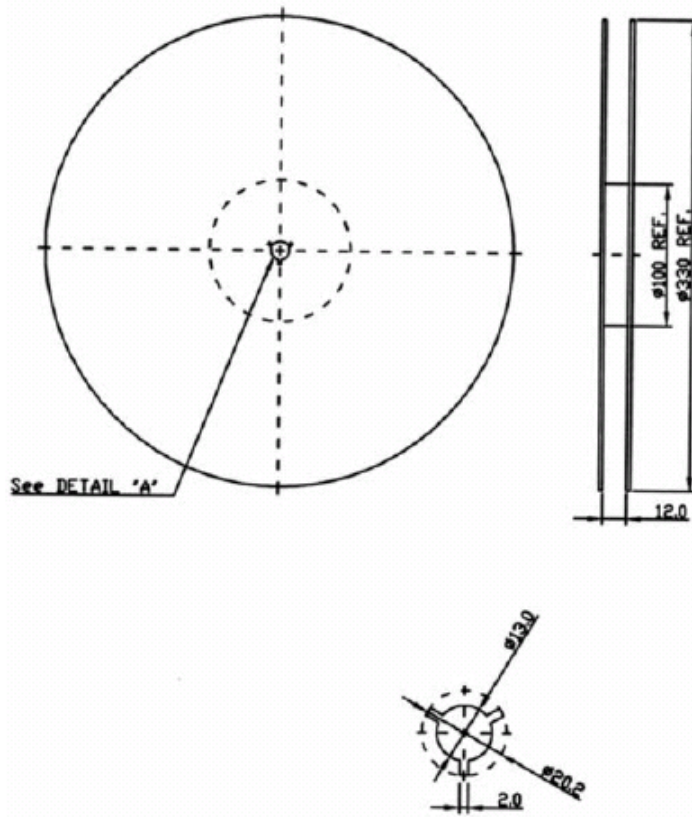


SAW Filter: 469.80MHz
Part No: MP05505

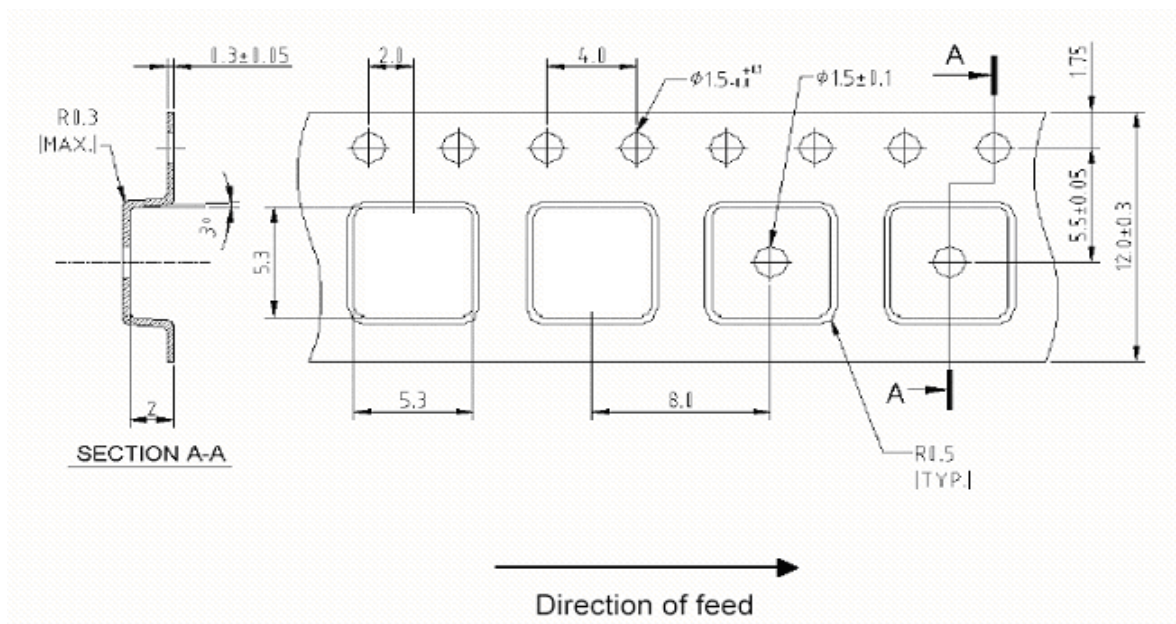
Model: TB0961A
Rev No: 1

G. PACKING:

1. Reel Dimension



2. Tape Dimension



SAW Filter: 469.80MHz
Part No: MP05505

Model: TB0961A
Rev No: 1

H. RECOMMENDED REFLOW PROFILE:

