

SAW Filter 140.0MHz

Model: TB0375A

Part No: MP01480

REV. NO.: 1

A. MAXIMUM RATING:

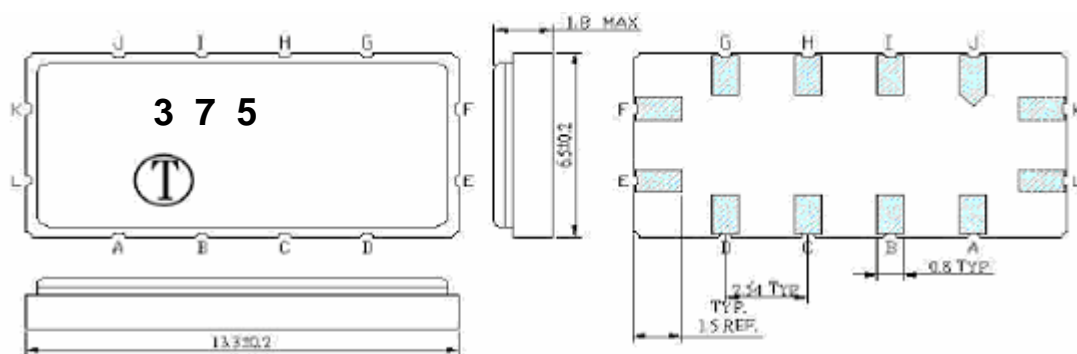
1. Operating Temperature: -40 °C ~ +85°C
3. Storage Temperature: -40 °C ~ +85°C

B. CHARACTERISTICS:

1. Ambient Temperature: 25°C

Characteristics	Value			Note.
	Min.		Max.	
Center frequency F_c MHz	139.6	140.0	140.4	-
Maximum Insertion loss I.L. dB	-	17	20	-
1dB Bandwidth MHz	10.8	11.5		
3dB Bandwidth MHz	-	11.6	12.6	
40dB Bandwidth MHz	-	15.5	16.0	
Passband Ripple (134.8~145.2MHz) dB	-	0.84	1	-
Group Delay Ripple (134.8 ~145.2MHz) nS	-	100	200	-
Temp Coefficient ppm/°C		-23		
Attenuation:(Reference level from minimum insertion loss)				
1) 100 ~ 123 MHz	45	48	-	-
2) 157MHz ~ 250 MHz dB	40	50	-	-

C. OUTLINE DRAWING:



Pin configuration

- #K RF Input
- #L RF Input ground
- #E RF Output
- #F RF Output ground
- #A,B,C,D,G,H,I,J To be ground

Unit: mm

SAW Filter 140.0MHz

Model: TB0375A

Part No: MP01480

REV. NO.: 1

D. FREQUENCY CHARACTERISTICS:

1. S21 Response

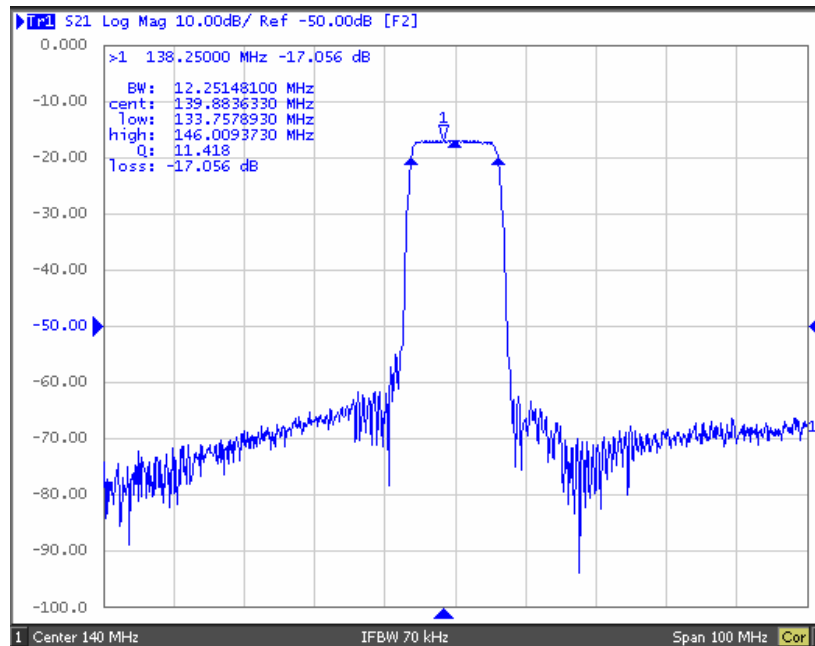


Fig. 1 S21 Response Horizontal: 10MHz; Vertical: 10dB/Div

2. Pass band Ripple and Group Delay Ripple

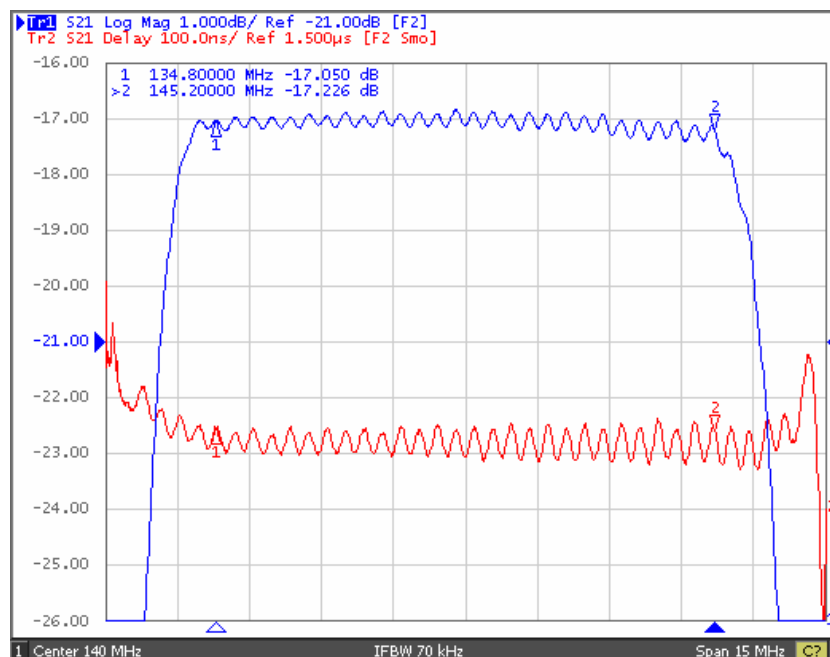


Fig. 2 Inband ripple and Group Delay Horizontal: 1.5MHz/Div; Vertical: 1dB/Div, 100ns/Div

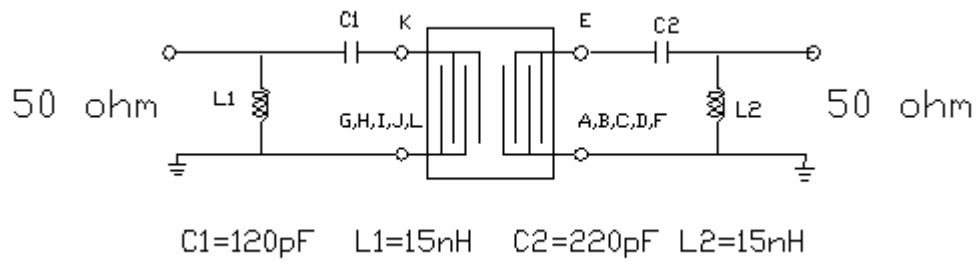
SAW Filter 140.0MHz

Model: TB0375A

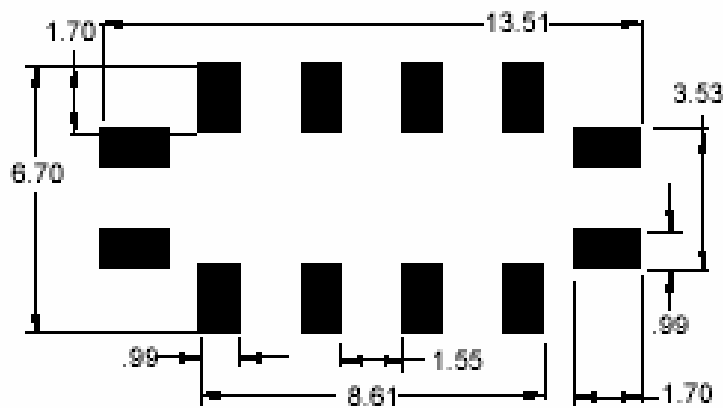
Part No: MP01480

REV. NO.: 1

E. TEST FIXTURE:



F. PCB FOOTPRINT

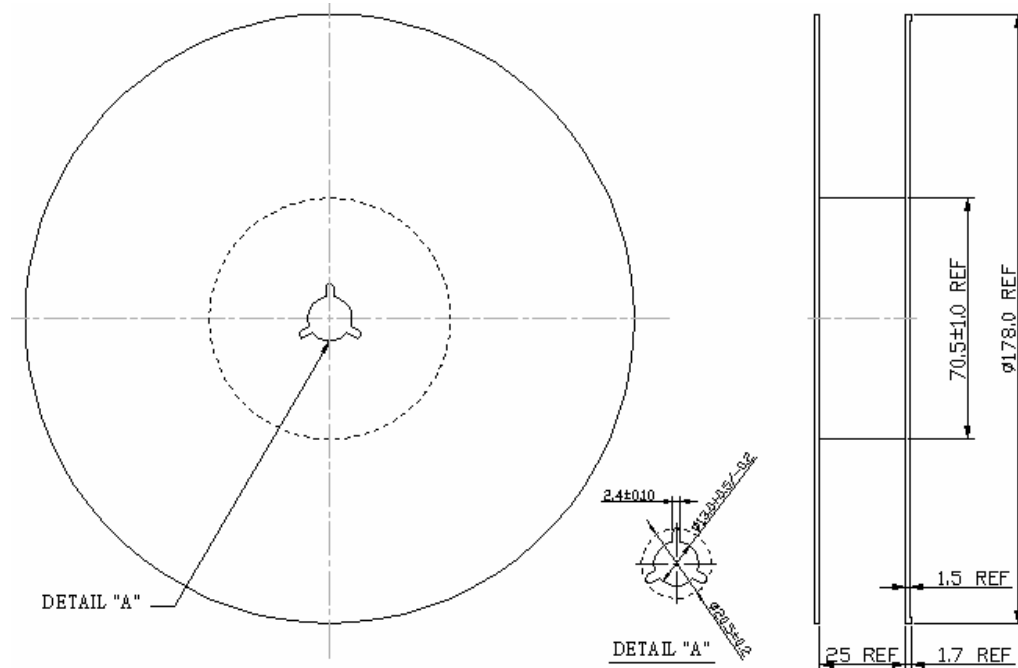


SAW Filter 140.0MHz
Part No: MP01480

Model: TB0375A
REV. NO.: 1

G. PACKING:

1. REEL DIMENSION



2. TAPE DIMENSION

