

SAW Filter 360MHz
Part No: MP03187

Model: TB360ECB
Rev No: 1

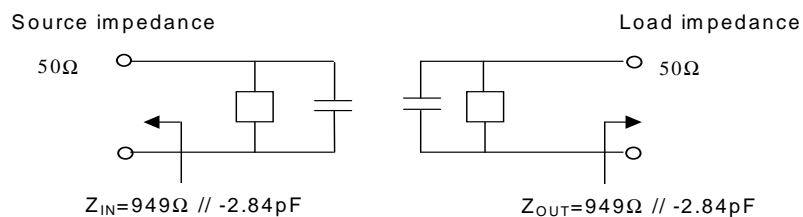
A. MAXIMUM RATING:

1. Input Power Level: 5dBm
2. Operating Temperature: -20°C to 75°C
3. Storage Temperature: -35°C to 85°C

B. ELECTRICAL CHARACTERISTICS:

Item	Unit	Min.	Typ.	Max.	Note
Center frequency Fc	MHz	-	360	-	1
Insertion Loss IL	dB	-	4.2	5.0	1
Passband Ripple within 359.91 to 360.09MHz	dB	-	0.6	1.5	1
Group delay ripple in Fc ± 90kHz GD	µ s	-	0.8	2.0	1
Attenuation: (Reference level from Min IL)					
Fc ± 0.4 to Fc ± 0.6MHz	dB	29	40	-	-
Fc ± 0.6 to Fc ± 0.8MHz	dB	42	70	-	-
Fc -0.8 to Fc -3.0MHz	dB	50	61	-	-
Fc -3.0 to Fc -57MHz	dB	52	62	-	-
Fc -57 to Fc -77MHz	dB	49	69	-	-
Fc -77 to Fc -115MHz	dB	52	69	-	-
Fc +0.8 to Fc +1.6MHz	dB	50	61	-	-
Fc +1.6 to Fc +3.0MHz	dB	45	65	-	-
Fc +3.0 to Fc +115MHz	dB	52	58	-	-

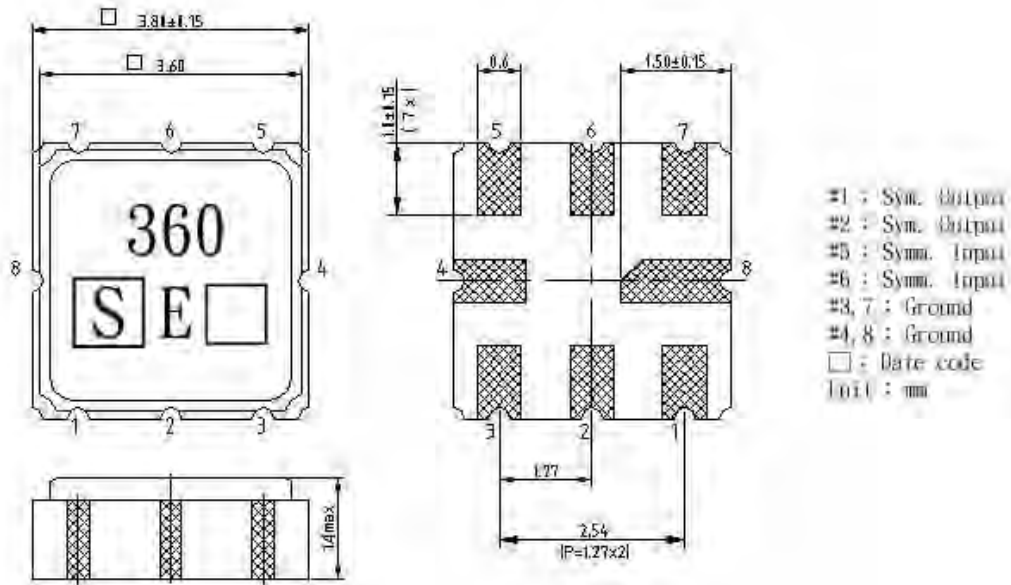
Note: The standard definitions is in JIS C 6703



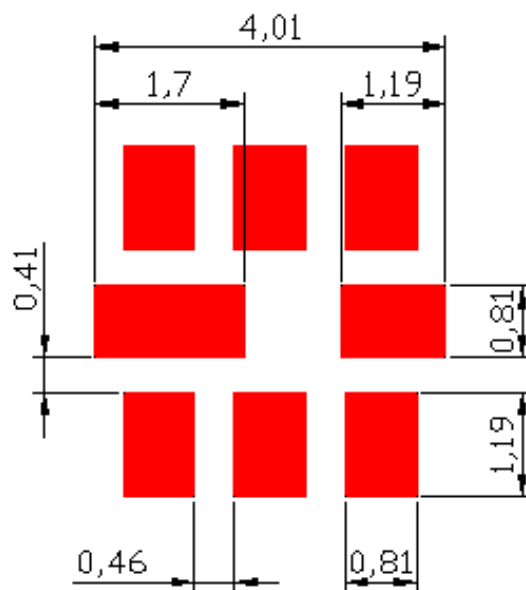
SAW Filter 360MHz
Part No: MP03187

Model: TB360ECB
Rev No: 1

C. OUTLINE DRAWING:



D. PCB FOOTPRINT:

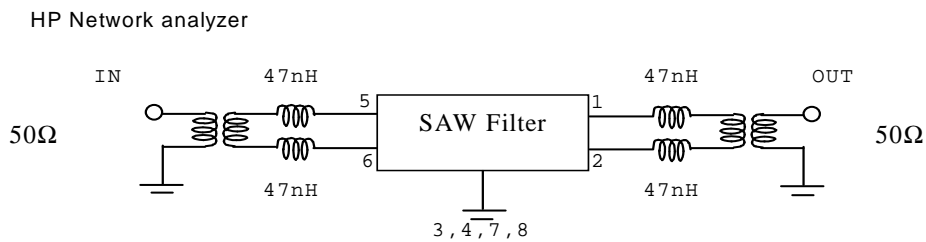


SAW Filter 360MHz
Part No: MP03187

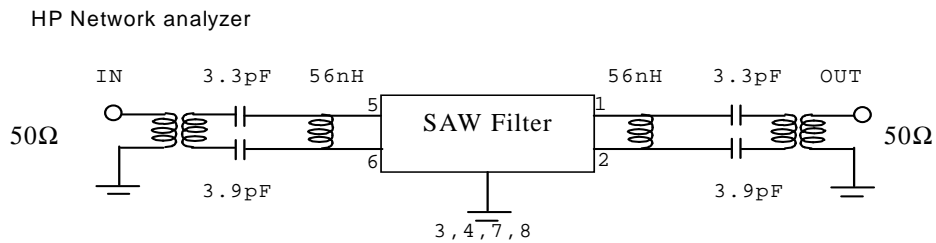
Model: TB360ECB
Rev No: 1

E. MEASUREMENT CIRCUIT:

50Ω Test circuit 1



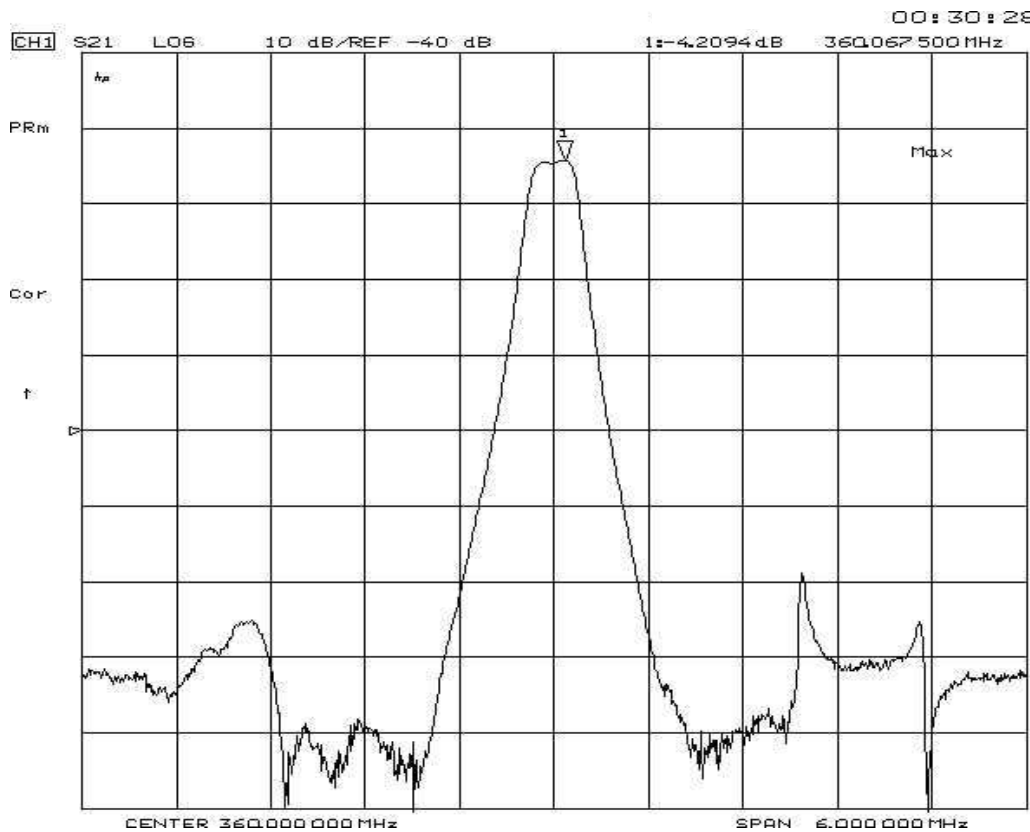
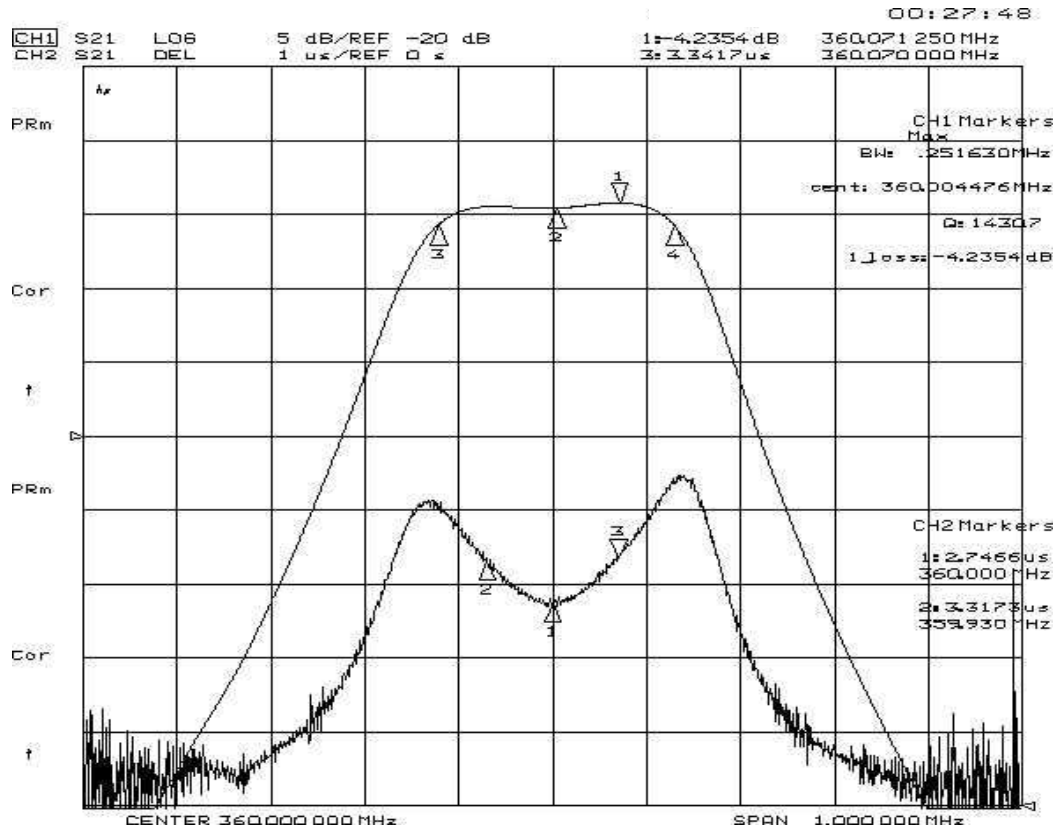
50Ω Test circuit 2



SAW Filter 360MHz
Part No: MP03187

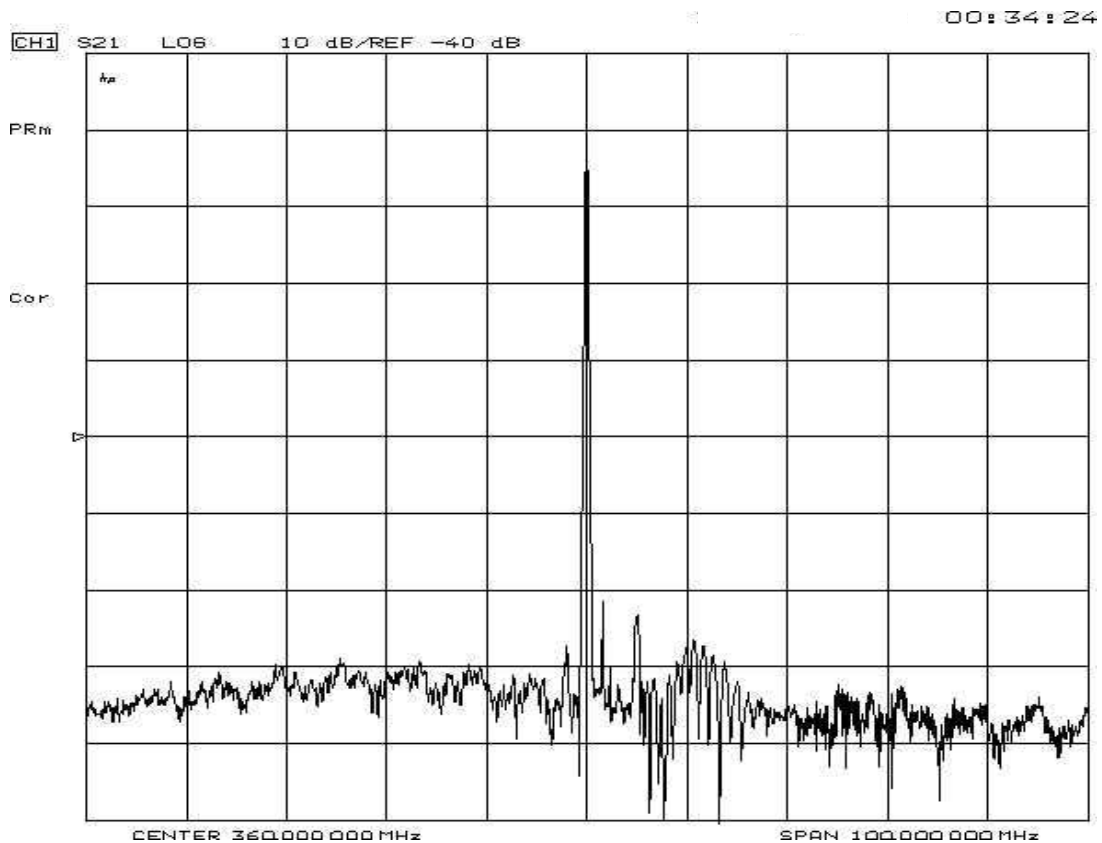
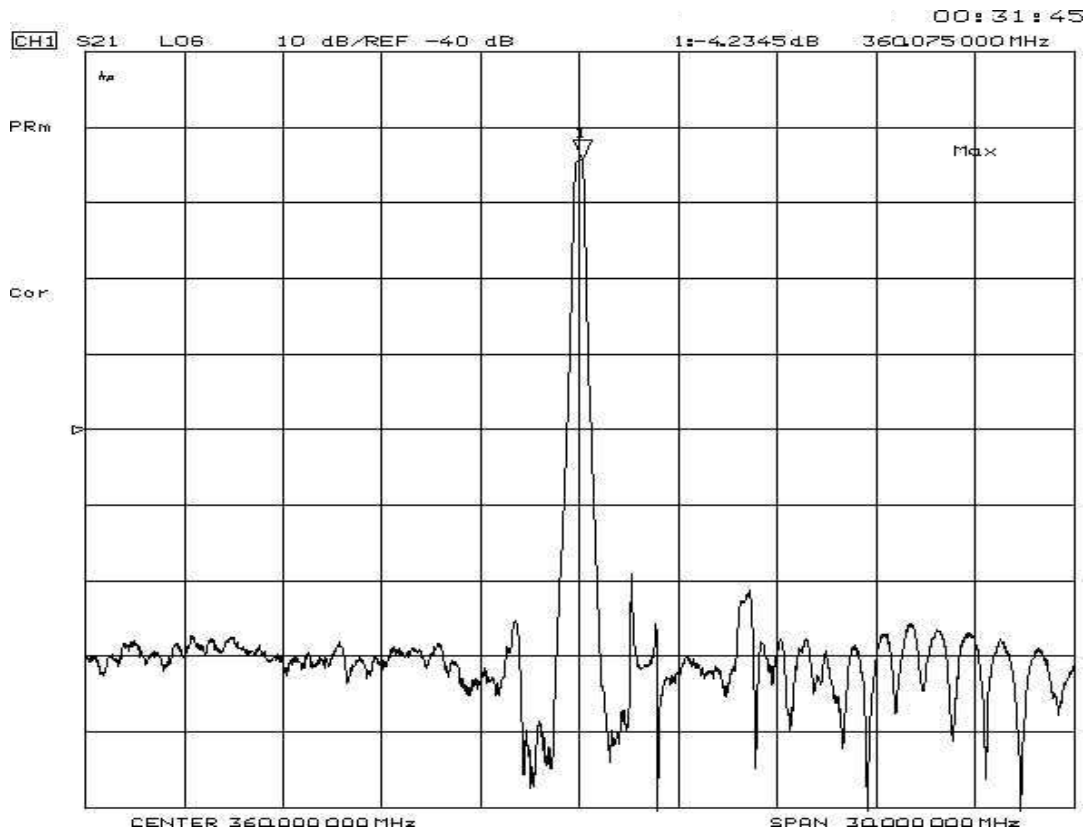
Model: TB360ECB
Rev No: 1

F. FREQUENCY CHARACTERISTICS:



SAW Filter 360MHz
Part No: MP03187

Model: TB360ECB
Rev No: 1

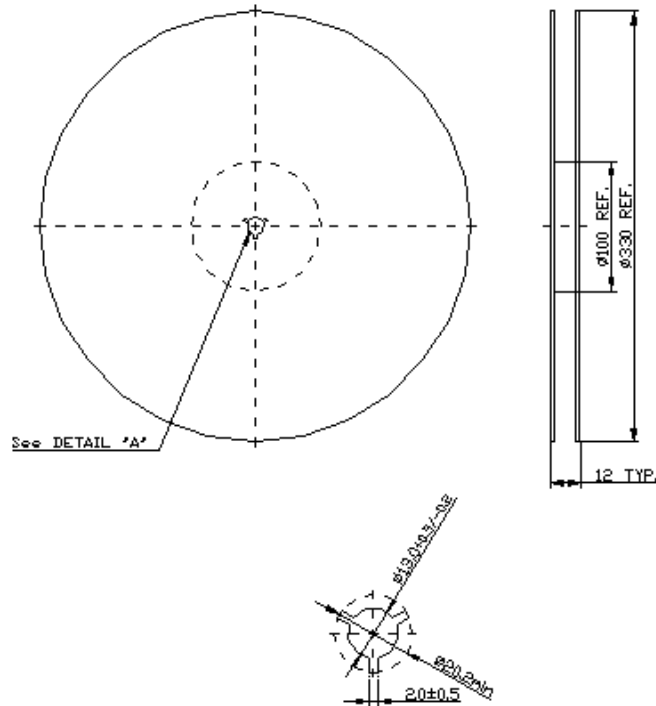


SAW Filter 360MHz
Part No: MP03187

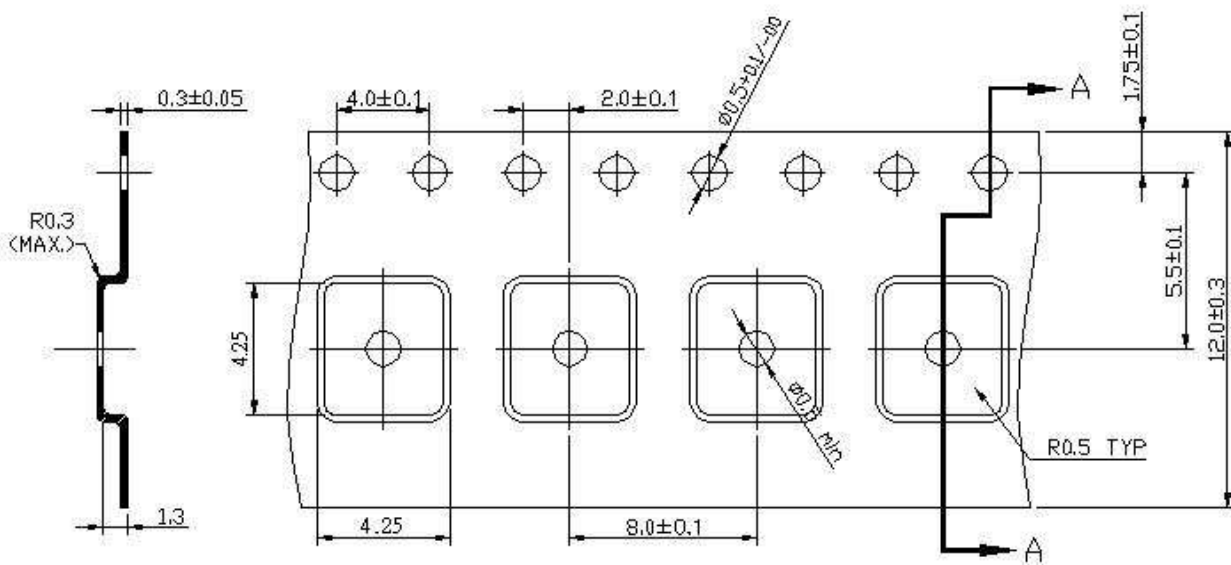
Model: TB360ECB
Rev No: 1

G. PACKING:

1. REEL DIMENSION



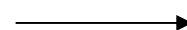
2. TAPE DIMENSION



Section A-A

DIMENSION: mm

Direction of feed



SAW Filter 360MHz
Part No: MP03187

Model: TB360ECB
Rev No: 1

H. REFLOW PROFILE:

