

SAW Filter 75.50MHz

Model: TB1185A

Part No: MP07615

Rev No: 1

A. MAXIMUM RATING:

Electrostatic Sensitive Device

1. Operating temperature range: -30°C to 80°C
2. Storage temperature range: -40°C to 85°C
3. Input Power Level: 10 dBm
4. Maximum DC Voltage: 10V

B. CHARACTERISTICS:

Ambient Temperature: 25°C

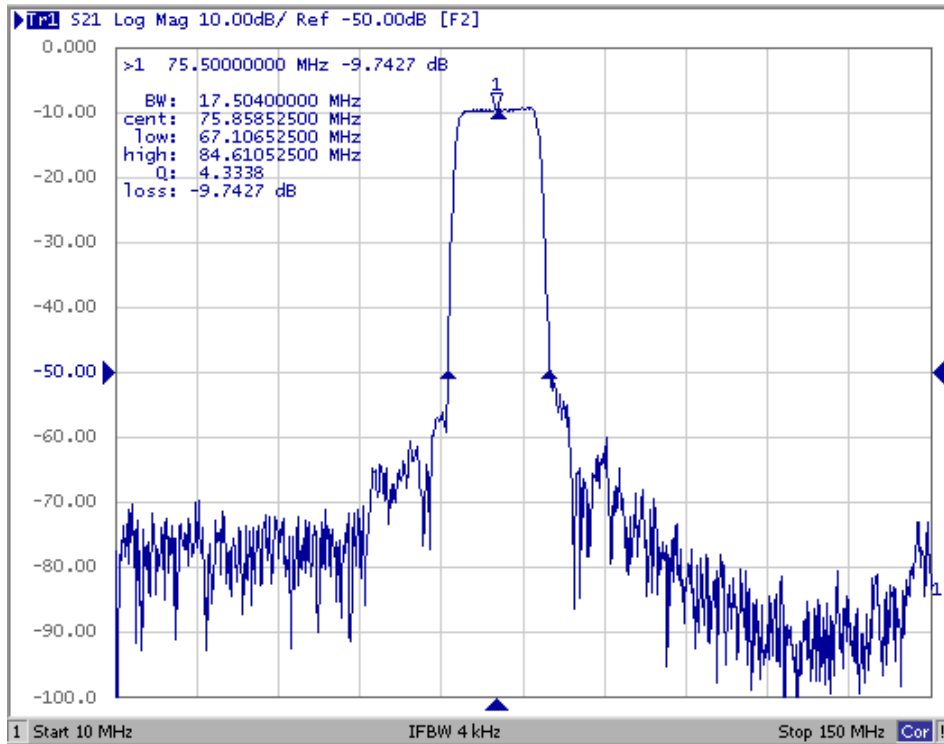
Item	Unit	Min.	Typ.	Max.
Center frequency Fc	MHz	-	75.5	-
Insertion Loss IL	dB	-	9.7	13.0
-3dB bandwidth	MHz	12.4	13.8	-
-40dB bandwidth	MHz	-	17.4	21.1144
Passband Ripple Fc ±5MHz	dB	-	0.55	1.00
Group Delay variation Fc ±5MHz	ns		50	90
Attenuation: (Reference level from Min IL)				
DC ~ 60.5MHz	dB	40	50	-
90.5MHz ~ 150MHz	dB	40	50	-
Temperature Coefficient	ppm/°C	-	-94	-
Source Impedance	Ohm	-	50	-
Load Impedance	Ohm	-	50	-

SAW Filter 75.50MHz
Part No: MP07615

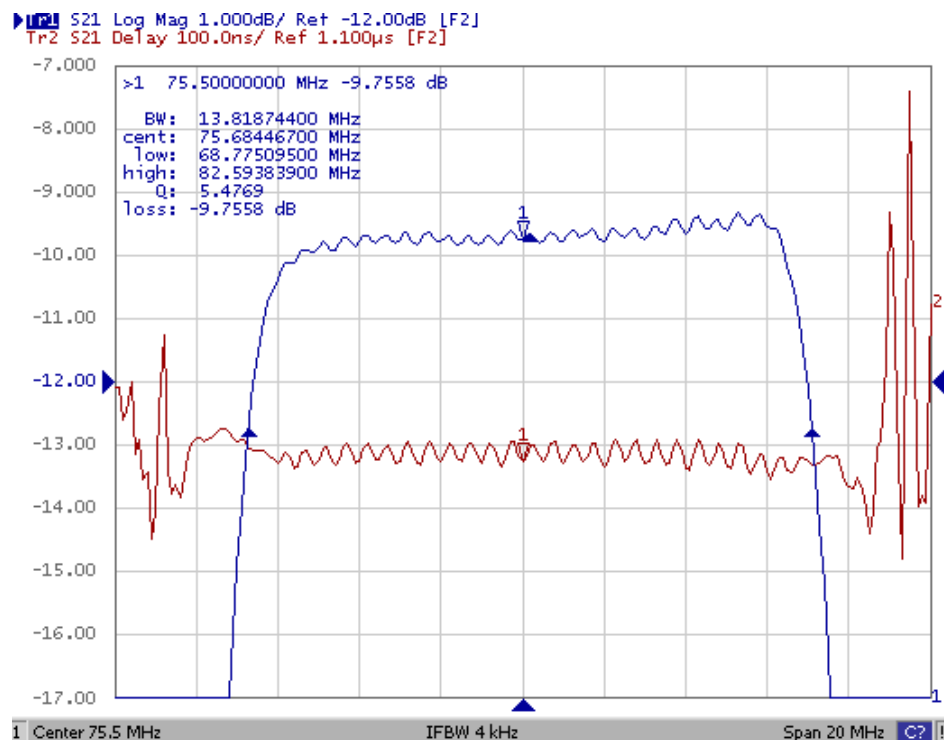
Model: TB1185A
Rev No: 1

C. FREQUENCY CHARACTERISTICS:

1. Wide band Response:



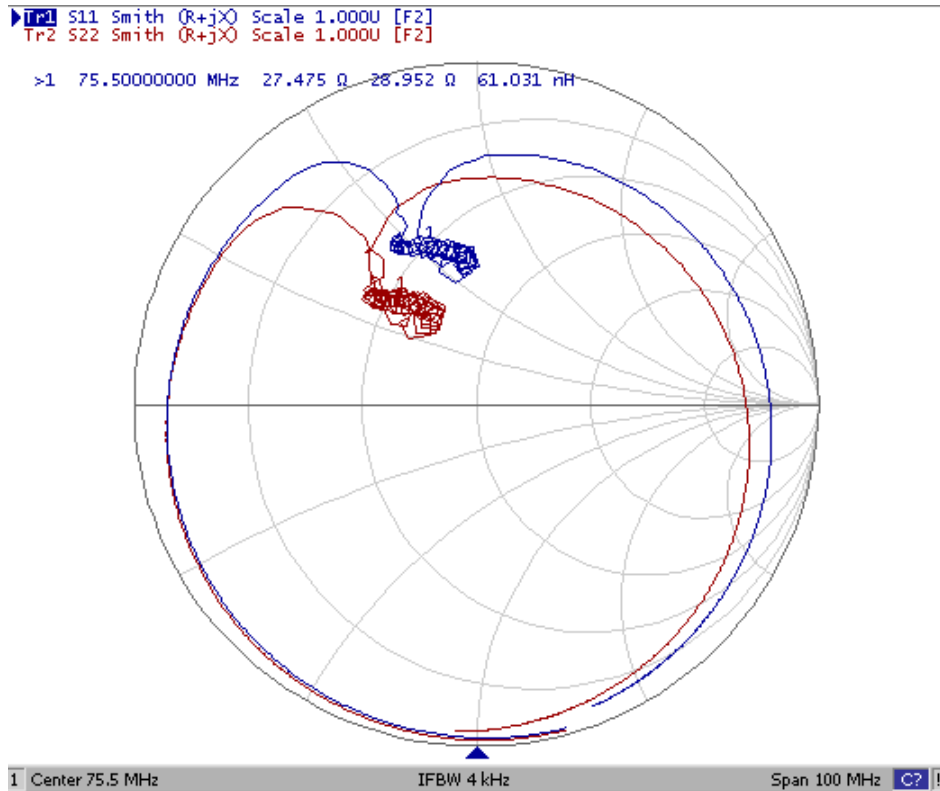
2. Pass Band Response and Group Delay Response:



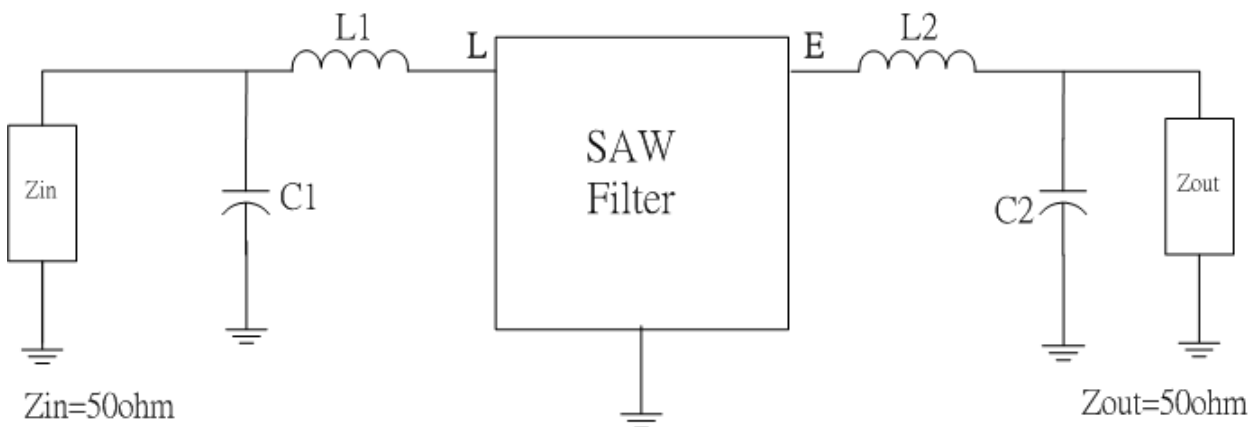
SAW Filter 75.50MHz
Part No: MP07615

Model: TB1185A
Rev No: 1

3. Smith Chart:



D. MATCHING CIRCUIT:

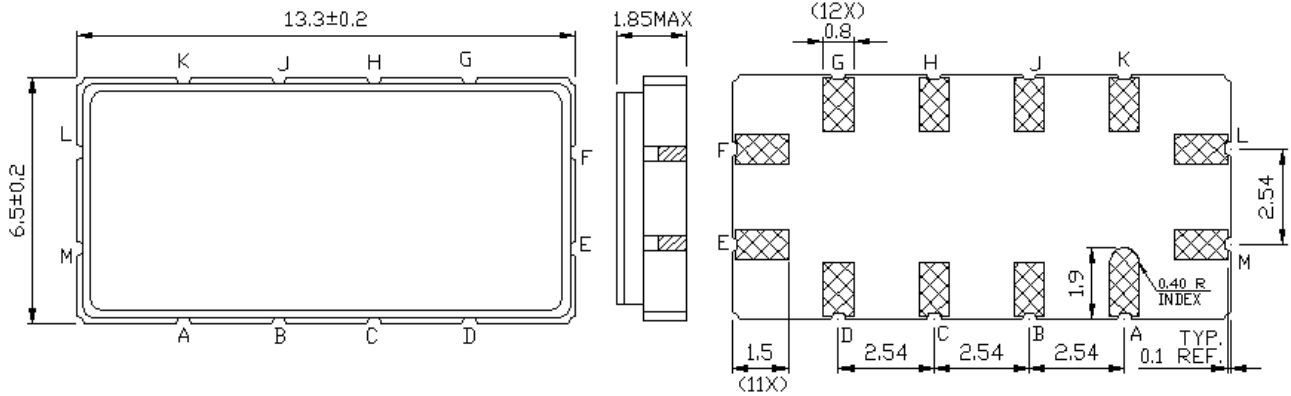


$L1 = 120\text{nH}, L2 = 120\text{nH}, C1 = 30\text{pF}, C2 = 39\text{pF}$

SAW Filter 75.50MHz
Part No: MP07615

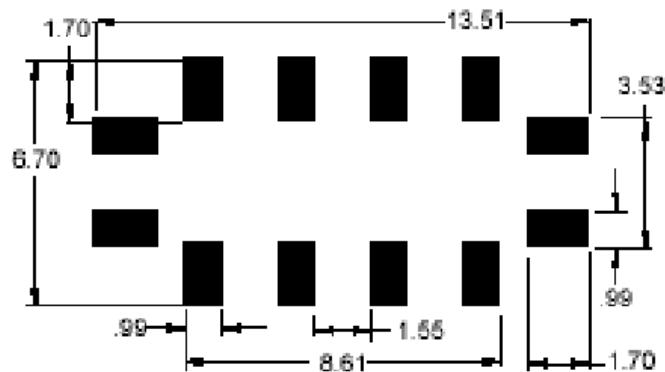
Model: TB1185A
Rev No: 1

E. OUTLINE DRAWING:



- L: Input
 - M: Input Ground
 - E: Output
 - F: Output Ground
 - A, B, C, D, G, H, J, K: Ground
- Unit: mm

F. PCB FOOTPRINT:



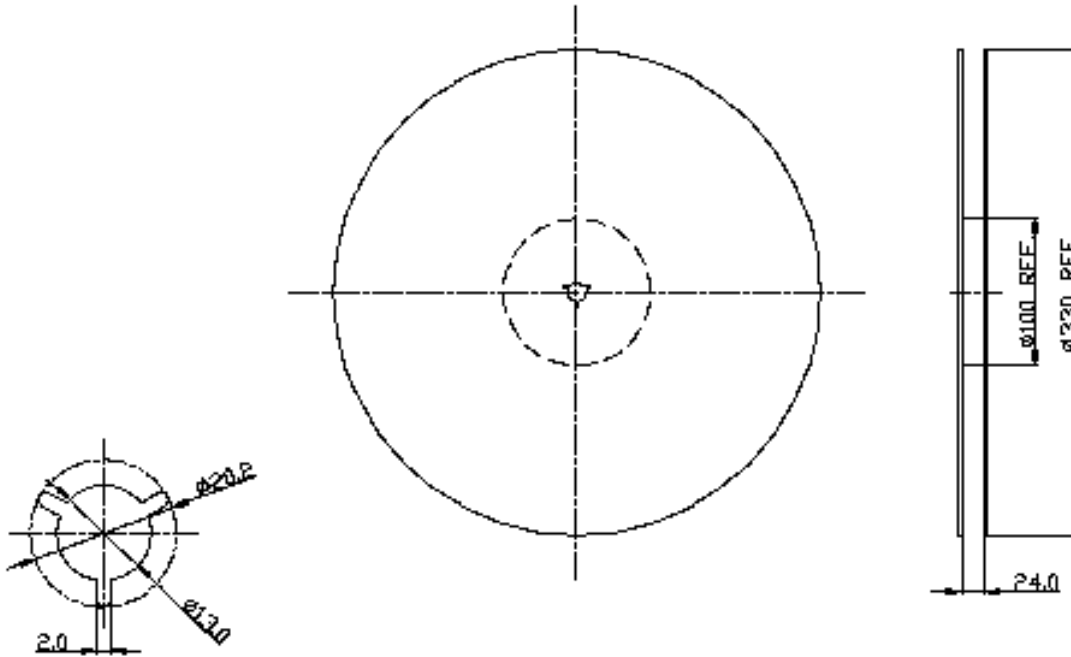
Unit: mm

SAW Filter 75.50MHz
Part No: MP07615

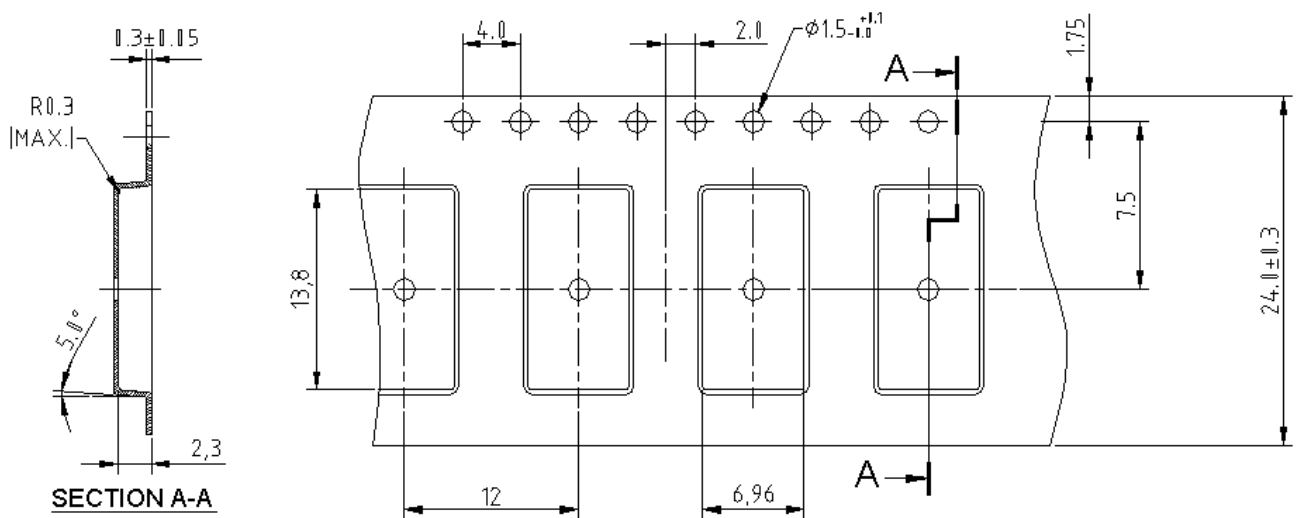
Model: TB1185A
Rev No: 1

G. PACKING:

1. Reel Dimension (Please refer to FR-75D10 for packing quantity)



2. Tape Dimension



SAW Filter 75.50MHz
Part No: MP07615

Model: TB1185A
Rev No: 1

H. RECOMMENDED REFLOW PROFILE:

1. Preheating shall be fixed at 150 ~ 180°C for 60 ~ 90 seconds.
2. Ascending time to preheating temperature 150°C shall be 30 seconds min.
3. Heating shall be fixed at 220°C for 50 ~ 80 seconds and at 245 ~ 260°C peak (min. 10 sec).
4. Time: 2 times.

