

SAW Filter 453.0MHz
Part No: MP07065

Model: TB0705A
Rev No: 1

A. MAXIMUM RATING:

1. Operating Temperature: -30°C ~ +70°C
2. Storage Temperature: -40°C ~ +85°C

B. CHARACTERISTICS:

Ambient Temperature: 25°C

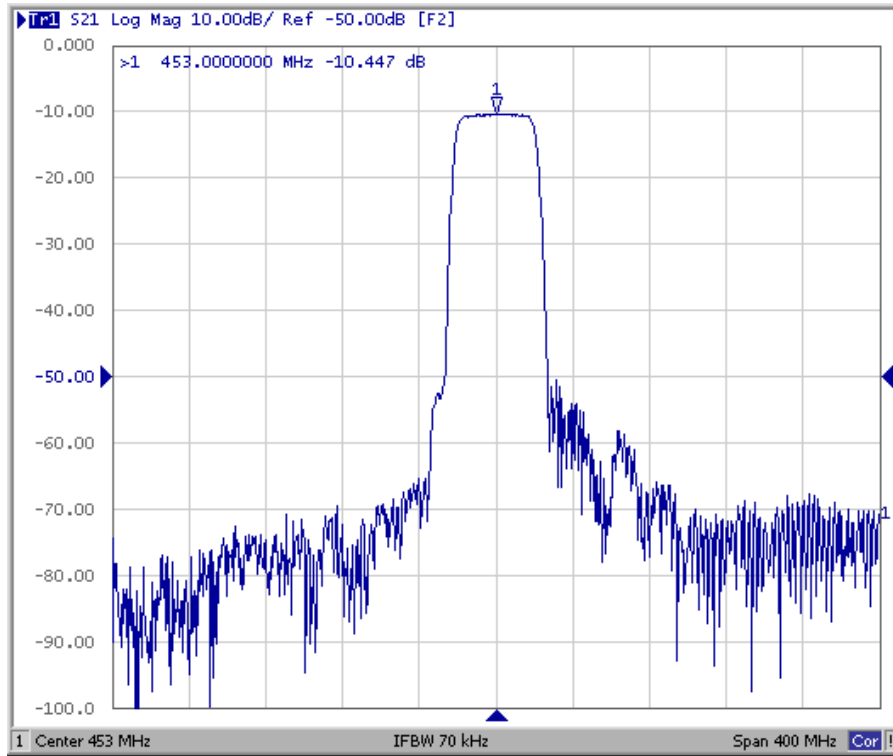
Item	Unit	Min.	Typ.	Max.
Center frequency, Fc	MHz	-	453	-
Max Insertion Loss	dB	-	10.5	13
3 dB Bandwidth	MHz	36	40.0	-
Pass band Ripple Fc ± 18MHz	dB	-	0.7	1.0
Relative Attenuation (Reference level from Max IL)				
Fc -28MHz	dB	35	42	-
Fc +28MHz	dB	20	44	-

SAW Filter 453.0MHz
Part No: MP07065

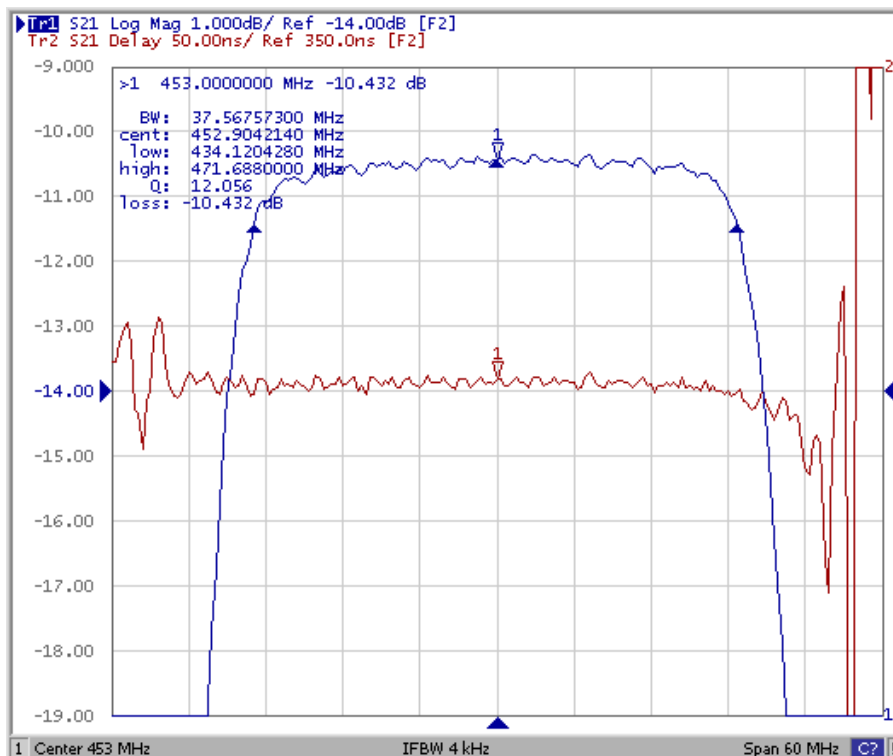
Model: TB0705A
Rev No: 1

C. FREQUENCY CHARACTERISTICS:

1. S21 Response: (span 400MHz)



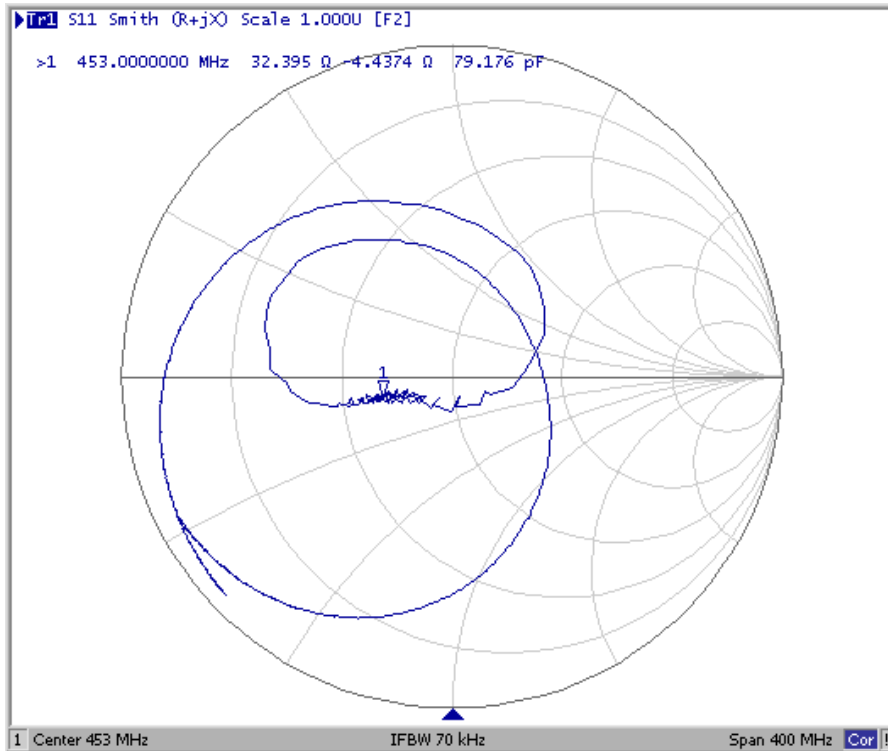
2. Passband of Response: (span: 60MHz)



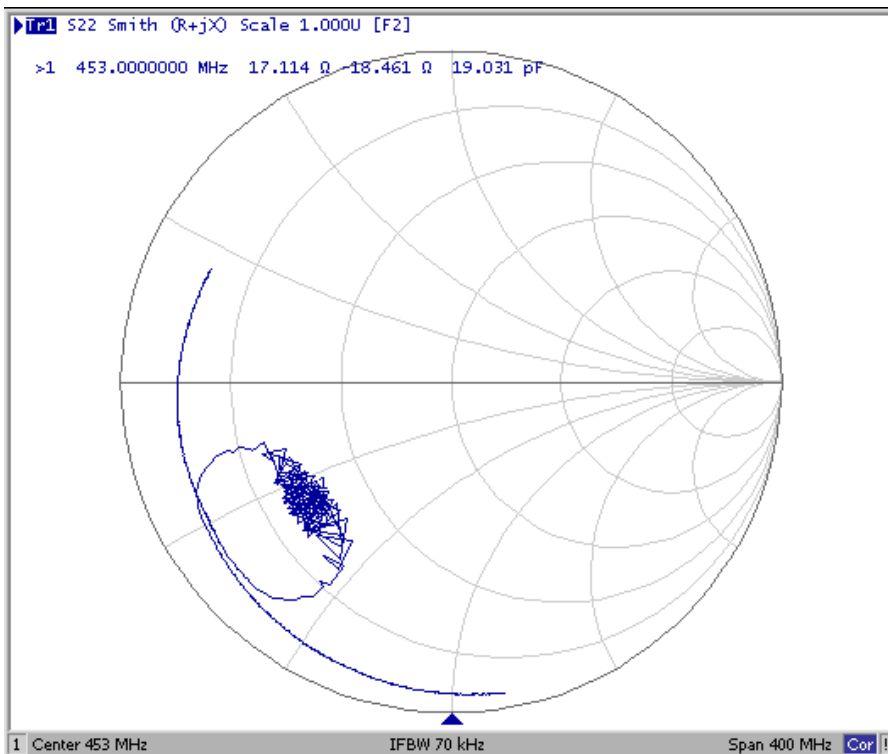
SAW Filter 453.0MHz
Part No: MP07065

Model: TB0705A
Rev No: 1

3. S11 Smith Chart: (span 400MHz)



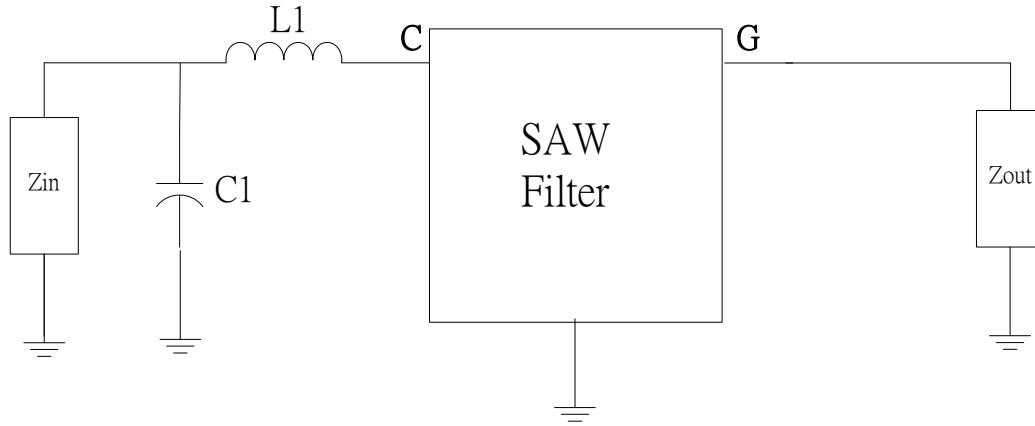
4. S22 Smith Chart: (span 400MHz)



SAW Filter 453.0MHz
Part No: MP07065

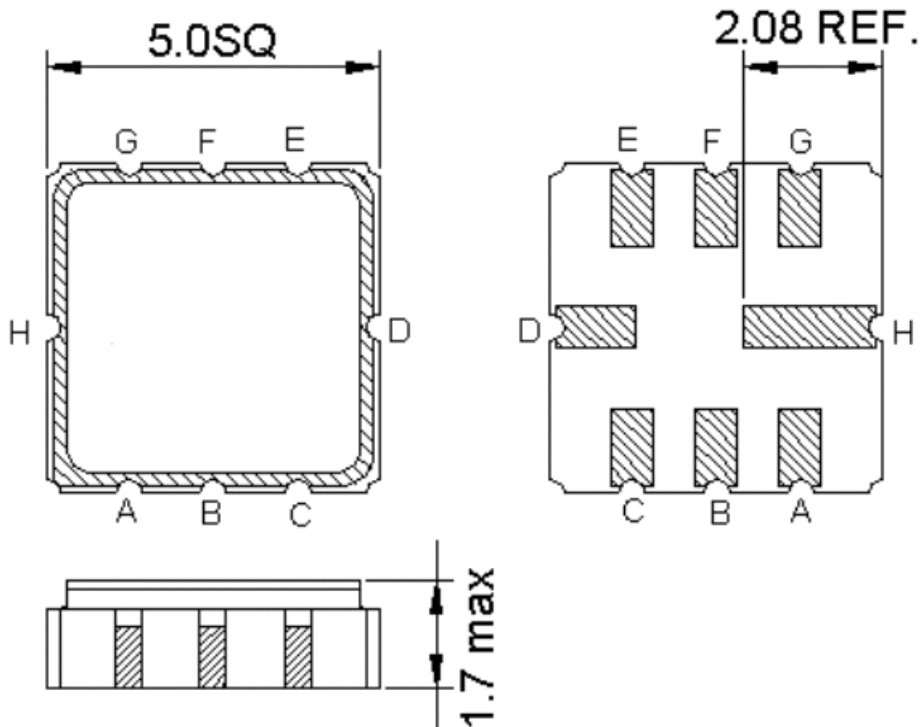
Model: TB0705A
Rev No: 1

D. TEST CIRCUIT:



Z_{IN} and Z_{OUT} are 50Ω , $L1 = 15nH$, $C1 = 10p$

E. OUTLINE DRAWING:



C: RF input
 G: RF output
 H, D: Case Ground
 A, B, E, F: Ground
 Unit: mm

SAW Filter 453.0MHz
Part No: MP07065

Model: TB0705A
Rev No: 1

G. RECOMMENDED REFLOW PROFILE:

