

SAW Filter 36.860MHz

Model: TB1289A

Part No: MP09851

Rev No: 1

A. MAXIMUM RATING:

Electrostatic Sensitive Device

1. Operating temperature range: -40°C to 85°C
2. Storage temperature range: -40°C to 85°C
3. Input Power Level: 10dBm
4. Maximum DC Voltage: 10V
5. Moisture Sensitivity Level: Level 1(MSL1)

B. CHARACTERISTICS:

Ambient Temperature: 25°C

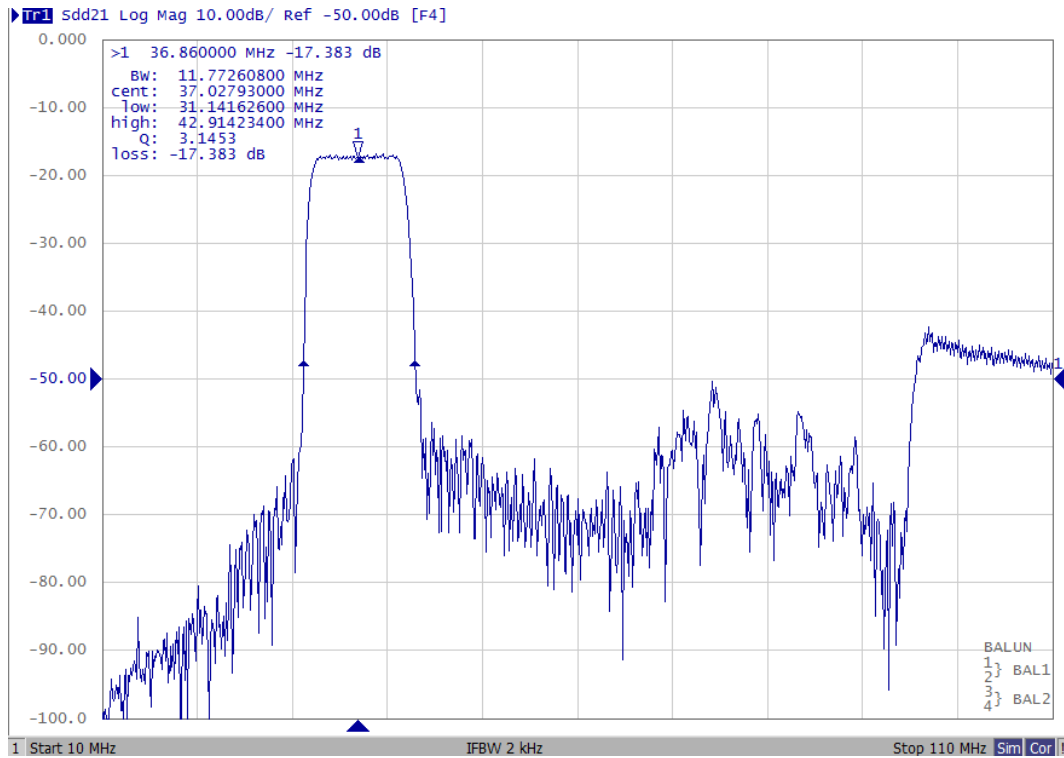
Item	Unit	Min.	Typ.	Max.
Center frequency, Fc	MHz	-	36.86	-
Insertion Loss, IL	dB	-	17.0	20.0
1dB bandwidth	MHz	-	9.0	-
3dB bandwidth	MHz	9.5	9.7	-
30dB bandwidth	MHz	-	11.7	13.0
Passband Ripple Fc+/- 4MHz	dB	-	0.8	1.6
Absolute Group Delay at Fc	us	-	1.45	-
Group Delay Variation Fc+/- 4MHz	ns	-	200	300
Attenuation (Ref. level from min. insertion loss)				
DC~28MHz	dB	35	50	-
28~30.46MHz	dB	30	45	-
30.46~30.76MHz	dB	21	43	-
43.46~45MHz	dB	15	35	-
45~50MHz	dB	35	43	-
50~110MHz	dB	15	25	-
Temperature Coefficient	ppm/°C	-	-94	-
Source Impedance(Differential)	Ohm	-	500	-
Load Impedance(Differential)	Ohm	-	1000	-

SAW Filter 36.860MHz
Part No: MP09851

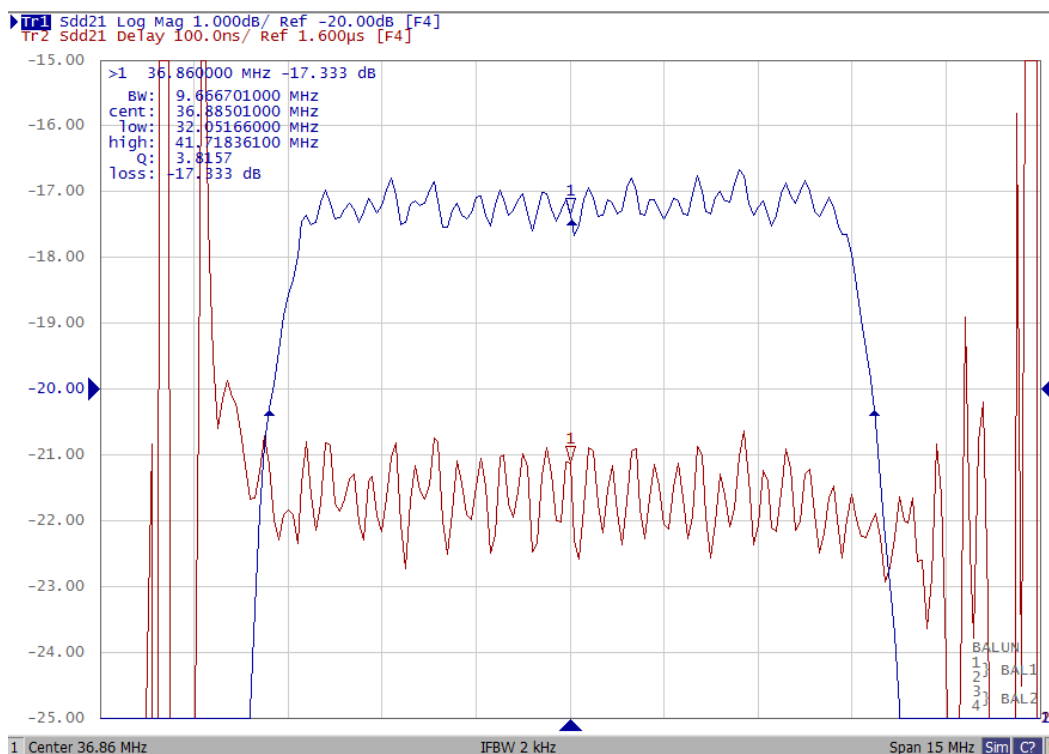
Model: TB1289A
Rev No: 1

C. FREQUENCY CHARACTERISTICS:

1. Wide Band Response:



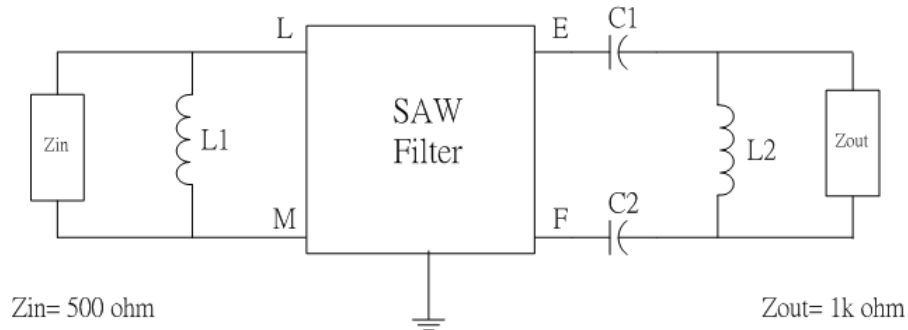
2. Pass Band Response and Group Time Delay response:



SAW Filter 36.860MHz
Part No: MP09851

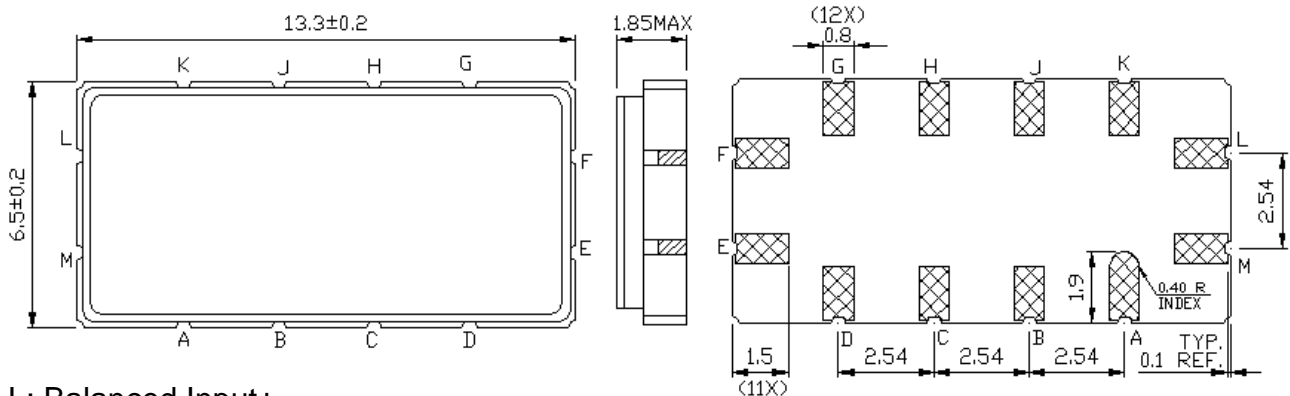
Model: TB1289A
Rev No: 1

D. MATCHING CIRCUIT:



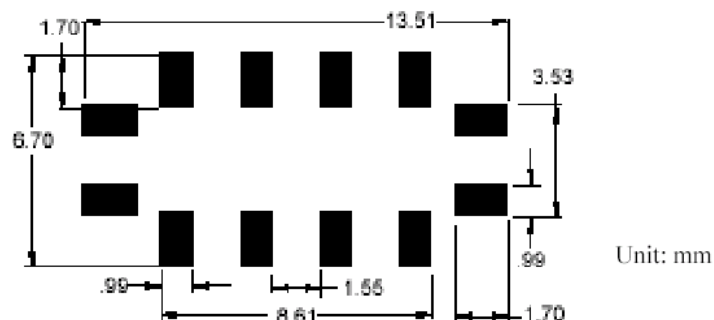
$L1 = 330\text{nH}$, $L2 = 680\text{nH} + 680\text{nH}$, $C1 = 82\text{pF}$, $C2 = 82\text{pF}$

E. OUTLINE DRAWING:



- L: Balanced Input+
- M: Balanced Input-
- E: Balanced Output+
- F: Balanced Output-
- Others: Ground
- Unit: mm

F. PCB FOOTPRINT:



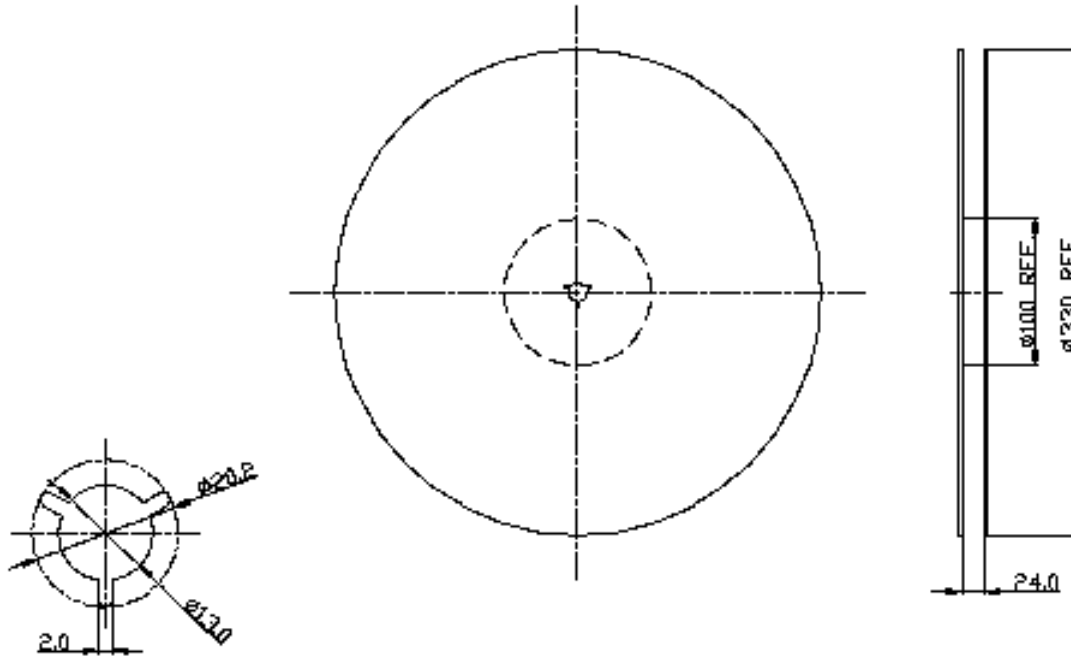
Unit: mm

SAW Filter 36.860MHz
Part No: MP09851

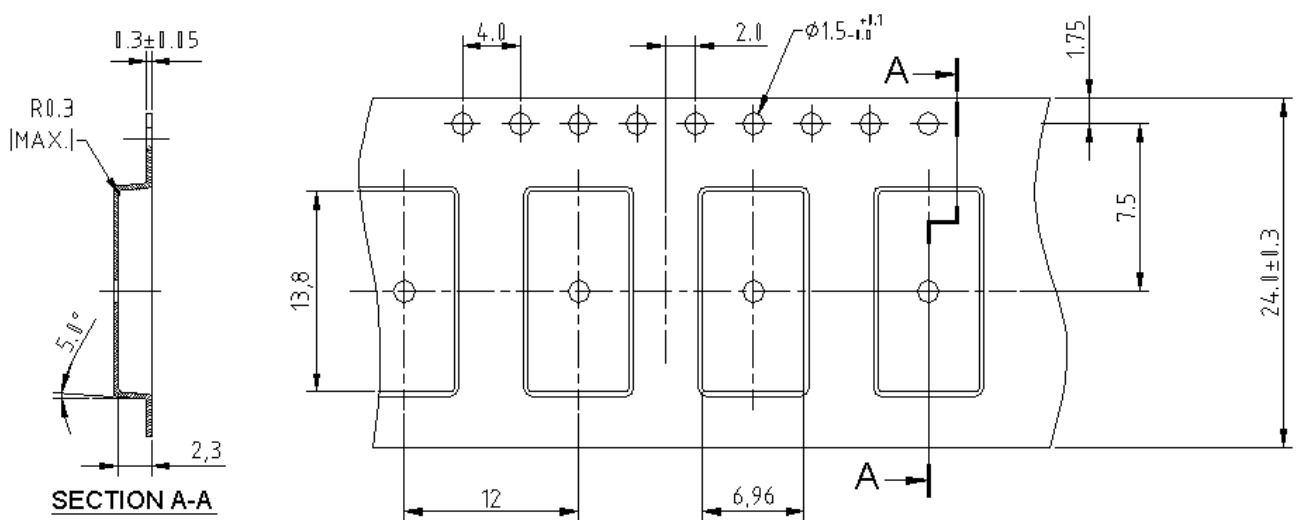
Model: TB1289A
Rev No: 1

G. PACKING:

1. Reel Dimension



2. Tape Dimension



SAW Filter 36.860MHz
Part No: MP09851

Model: TB1289A
Rev No: 1

H. RECOMMENDED REFLOW PROFILE:

1. Preheating shall be fixed at 150 ~ 180°C for 60 ~ 90 seconds.
2. Ascending time to preheating temperature 150°C shall be 30 seconds min.
3. Heating shall be fixed at 220°C for 50 ~ 80 seconds and at 260°C +0/-5°C peak (20 ~ 40 sec).
4. Time: 2 times.

