

SAW Filter 240.0MHz
Part No: MP08557

Model: TB1156A
Rev No: 1

A. MAXIMUM RATING:

Electrostatic Sensitive Device (ESD)

1. Maximum Input Power: 10dBm
2. Operating Temperature: -20°C ~ +85°C
3. Storage Temperature: -40°C ~ +85°C

B. CHARACTERISTICS:

Ambient Temperature: 25°C

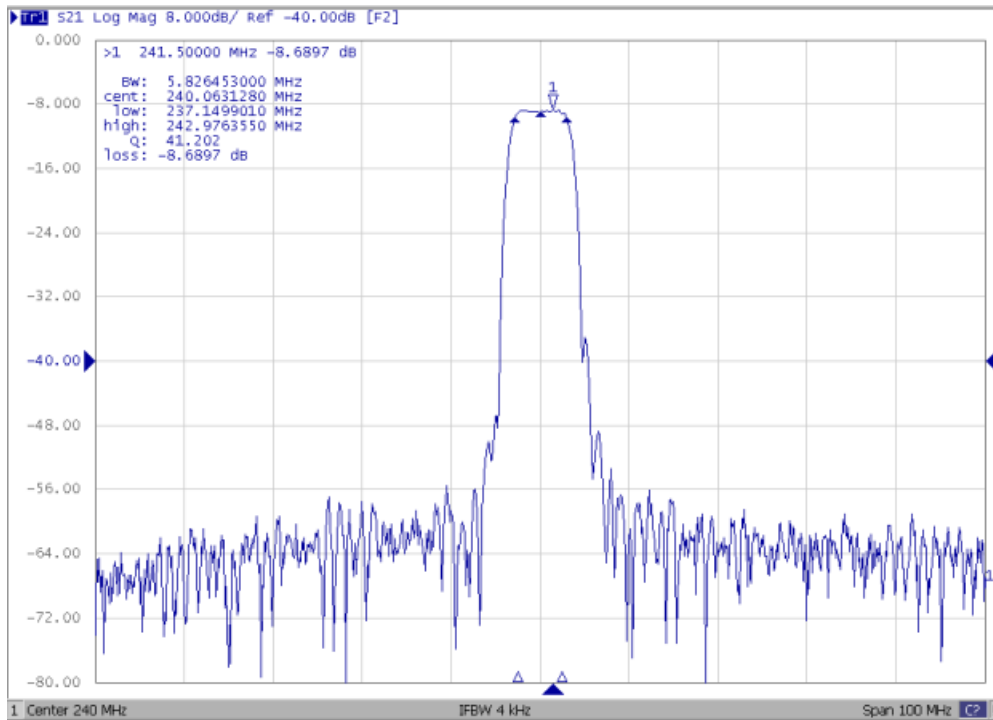
Item	Unit	Min.	Typ.	Max.
Center frequency Fc	MHz	239.5	240	240.5
Minimum Insertion Loss IL	dB	-	8.7	14
1dB Bandwidth	MHz	5.0	5.8	-
3dB Bandwidth	MHz	-	6.7	7.2
40dB Bandwidth	MHz	-	10.8	13
Group Delay ripple (237.5 ~ 242.5MHz)	nS	-	80	200
Amplitude ripple (237.5 ~ 242.5MHz)	dB	-	0.5	1
Attenuation: (Reference level from Min IL)				
10 ~ 233MHz	dB	45	48	-
247MHz ~ 470MHz	dB	45	48	-

SAW Filter 240.0MHz
Part No: MP08557

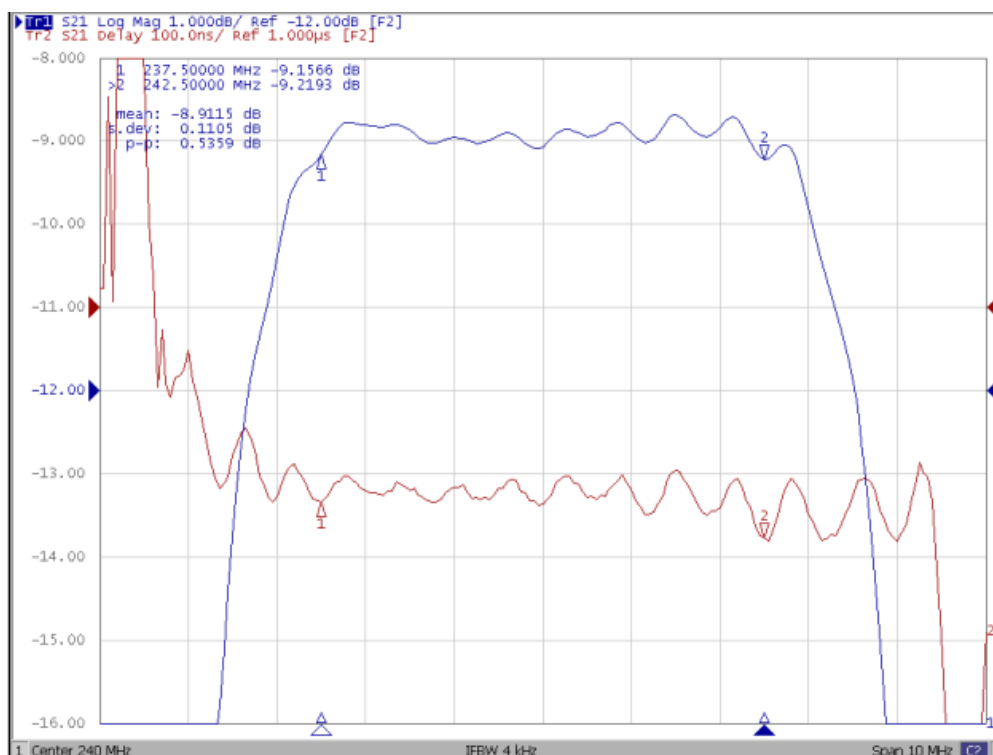
Model: TB1156A
Rev No: 1

C. FREQUENCY CHARACTERISTICS:

1. S21 Response: (span 100MHz)



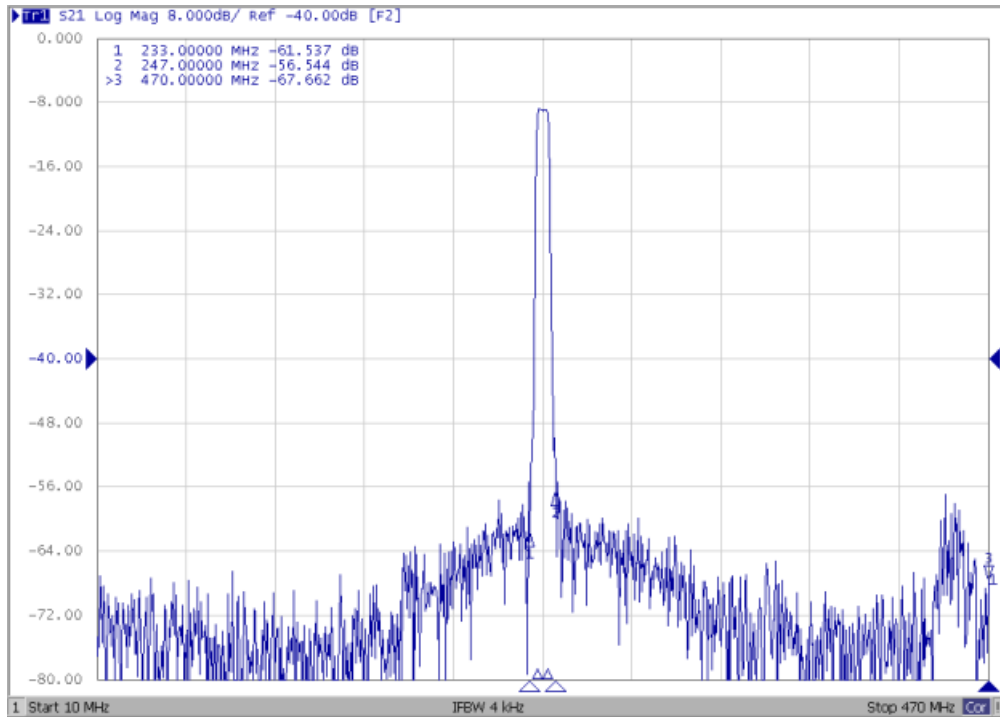
2. S21 Response: (span 10MHz)



SAW Filter 240.0MHz
Part No: MP08557

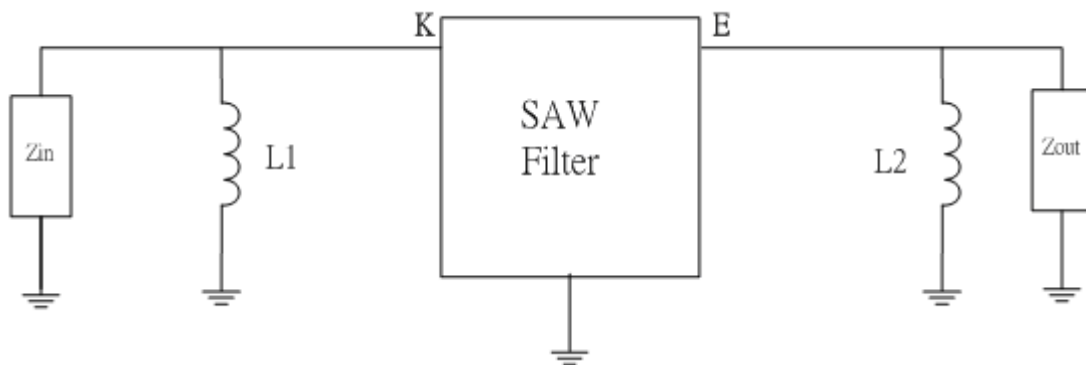
Model: TB1156A
Rev No: 1

3. S11 Smith-Chart: (span 470MHz)



D. MEASUREMENT CIRCUIT:

Single In / Output: ($Z_{IN} = Z_{OUT} = 50\Omega$)



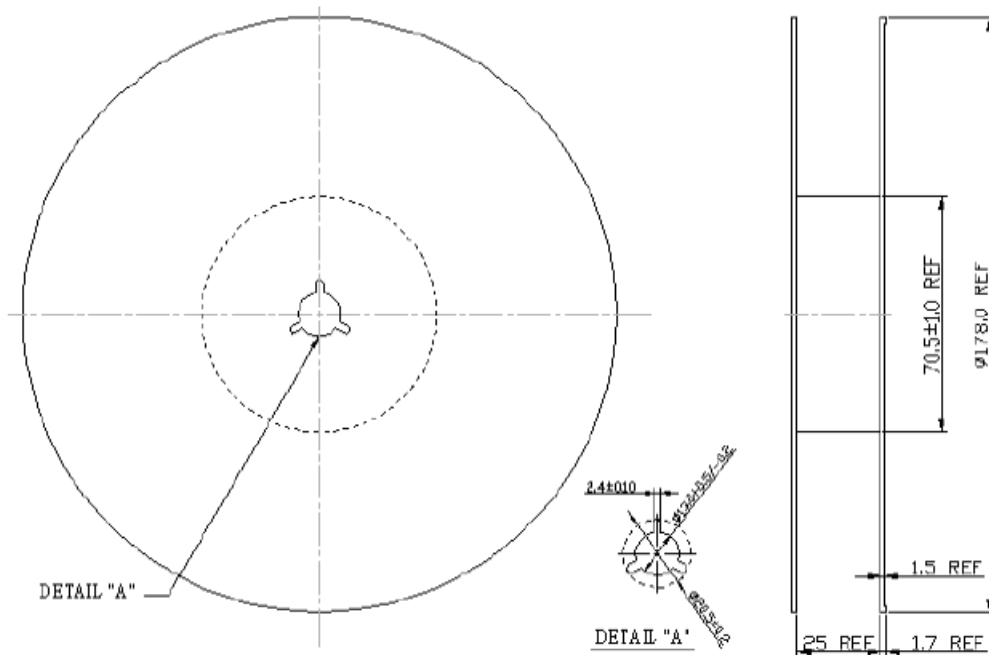
$L1 = 22\text{nH}$, $L2 = 22\text{nH}$.

SAW Filter 240.0MHz
Part No: MP08557

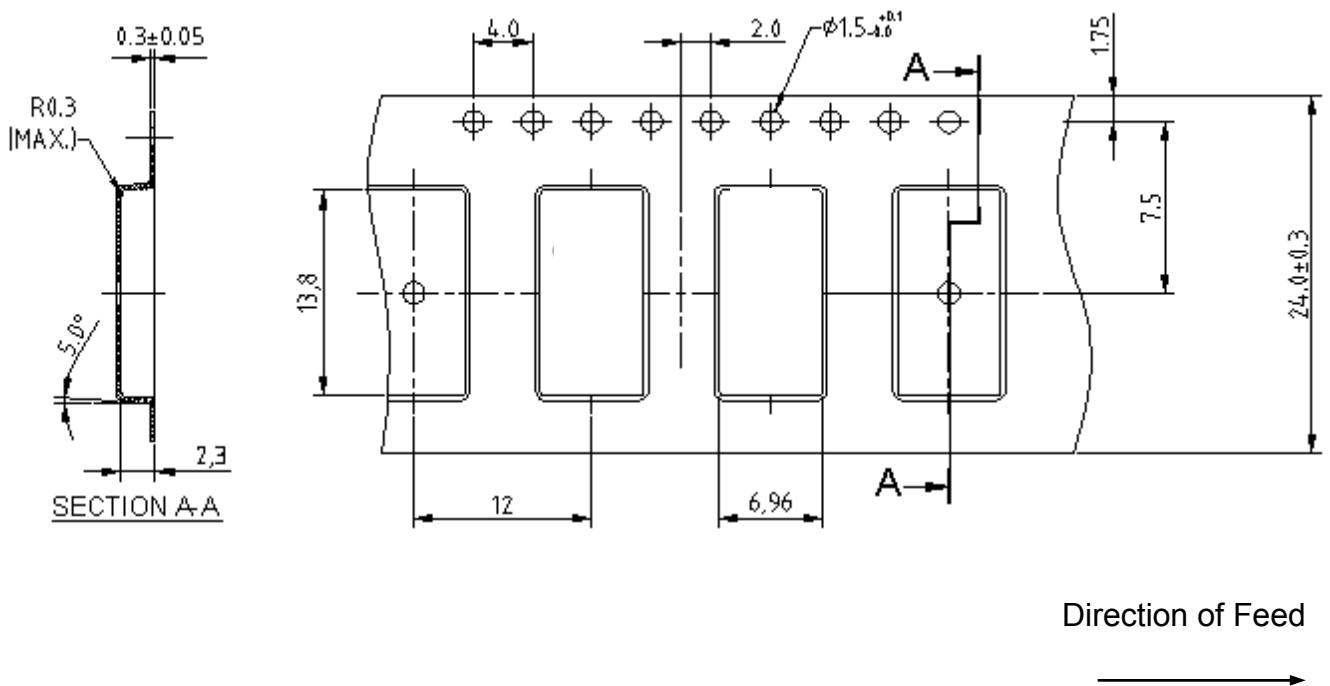
Model: TB1156A
Rev No: 1

G. PACKAGE:

1. Reel Dimension



2. Tape Dimension



SAW Filter 240.0MHz
Part No: MP08557

Model: TB1156A
Rev No: 1

H. RECOMMENDED REFLOW PROFILE:

