

**SAW Filter 241.0MHz**  
**Part No: MP08575**

**Model: TB1188A**  
**Rev No: 1**

**A. MAXIMUM RATING:**

Electrostatic Sensitive Device

1. Operating temperature range: -10°C to 85°C
2. Storage temperature range: -40°C to 85°C
3. Input Power Level: 10 dBm
4. Maximum DC Voltage: 10V

**B. CHARACTERISTICS:**

Ambient Temperature: 25°C

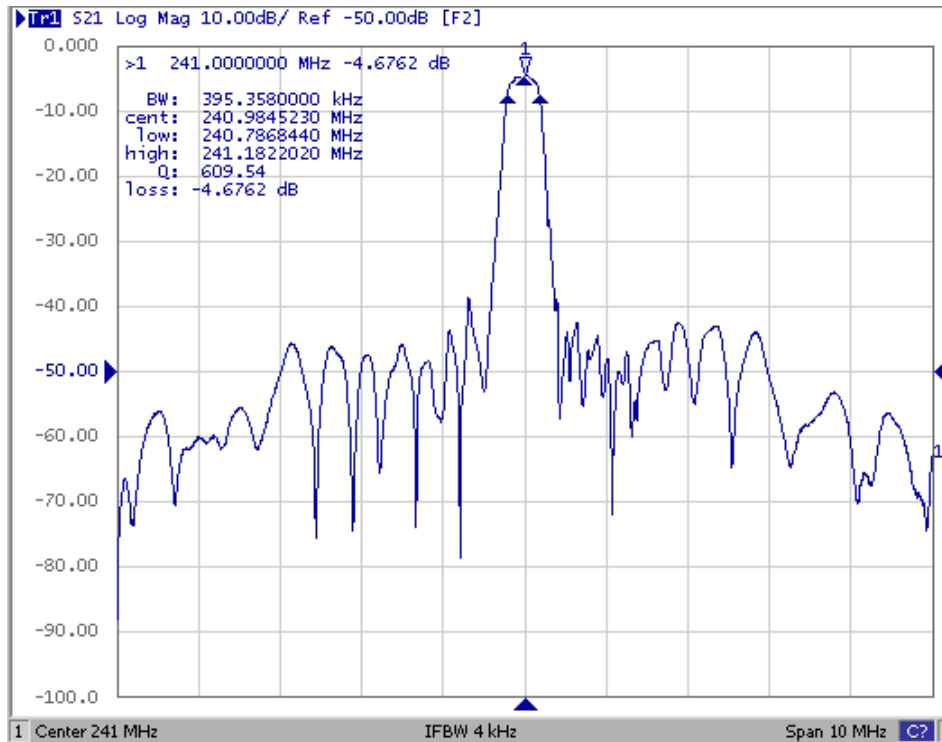
Item	Unit	Min.	Typ.	Max.
Center frequency Fc	MHz	-	241	-
Insertion Loss IL	dB	-	4.7	8.0
3 dB Band Width	MHz	0.2	0.4	-
Amplitude Ripple Fc ±0.1MHz	dB	-	0.7	2.2
G.D.T deviation Fc ±0.1MHz	us	-	0.8	2.2
Attenuation (Reference level from typical Insertion loss)				
10MHz ~ 232.5MHz	dB	44	50	
232.5MHz ~ 240.4MHz	dB	28	35	
240.4MHz ~ 240.6MHz	dB	10	32	
241.4MHz ~ 241.6MHz	dB	10	35	
241.6MHz ~ 274MHz	dB	28	38	
274MHz ~ 390MHz	dB	44	55	
390MHz ~ 395MHz	dB	25	50	
395MHz ~ 439MHz	dB	44	65	
439MHz ~ 445MHz	dB	40	65	
445MHz ~ 886.5MHz	dB	44	65	
Temperature Coefficient	ppm/°C <sup>2</sup>	-	-0.032	-
Input Impedance at Fc $Z_{IN} = R_{IN} // C_{IN}$	Ohm	35.3Ω // 34.2pF		
Output Impedance at Fc Output $Z_{OUT} = R_{OUT} // C_{OUT}$	Ohm	68.8Ω // 33.8pF		

**SAW Filter 241.0MHz**  
**Part No: MP08575**

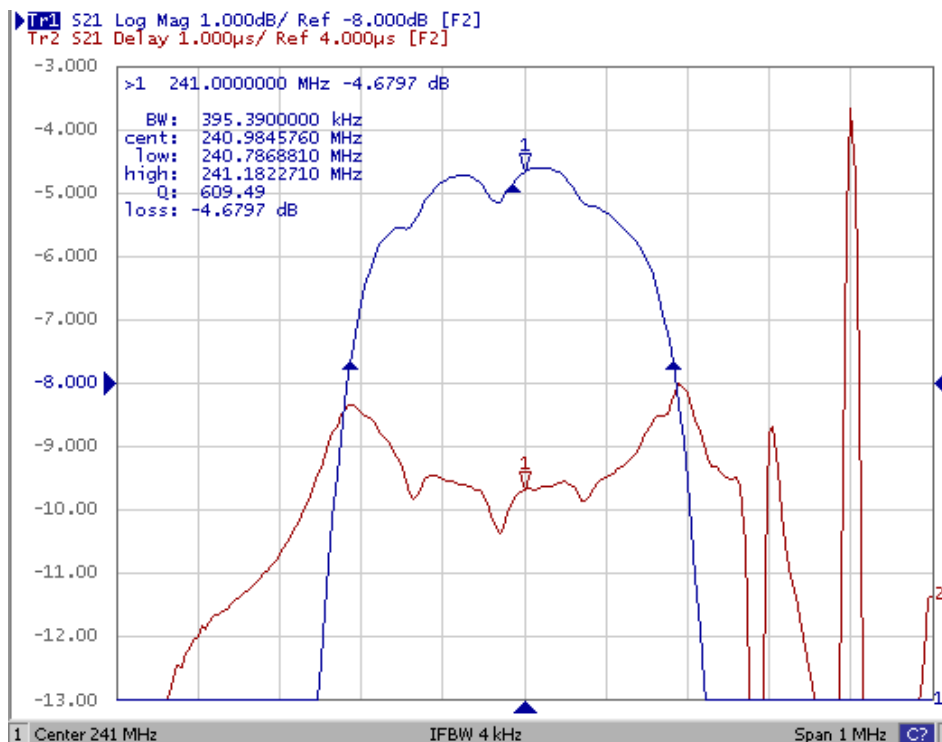
**Model: TB1188A**  
**Rev No: 1**

**C. FREQUENCY CHARACTERISTICS:**

1. Narrow band Response:



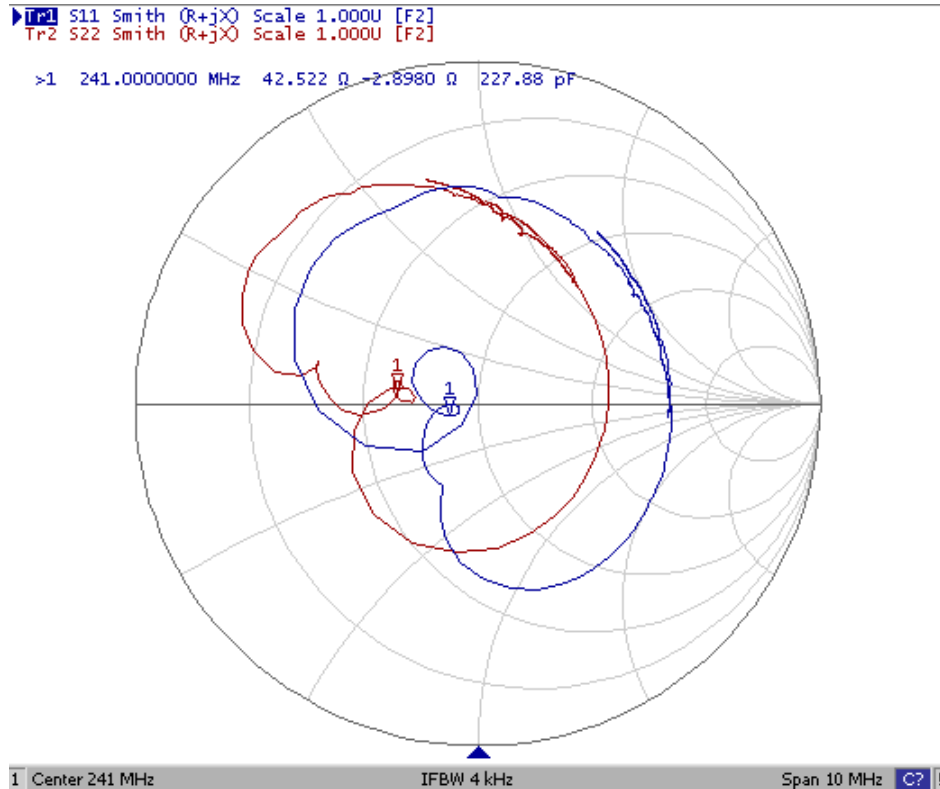
2. Pass Band Response and Group Delay Response:



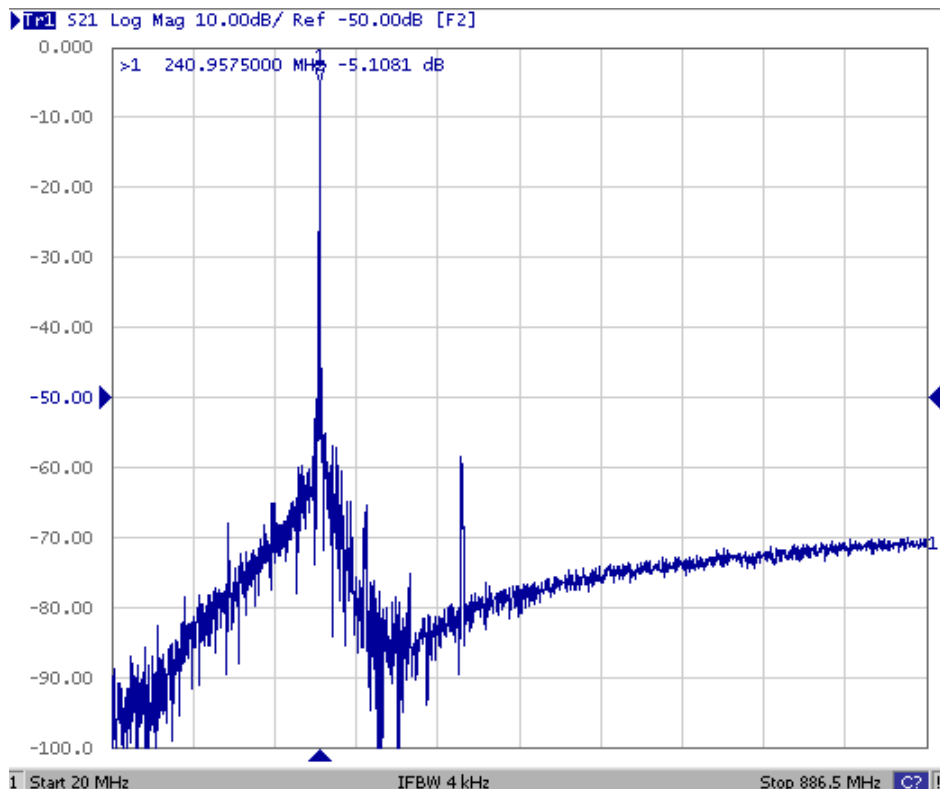
**SAW Filter 241.0MHz**  
**Part No: MP08575**

**Model: TB1188A**  
**Rev No: 1**

### 3. Smith Chart:



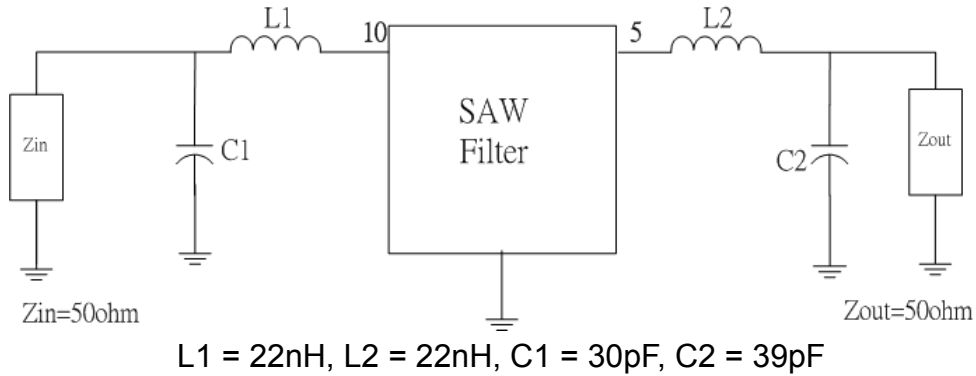
### 4. Wide Band Response:



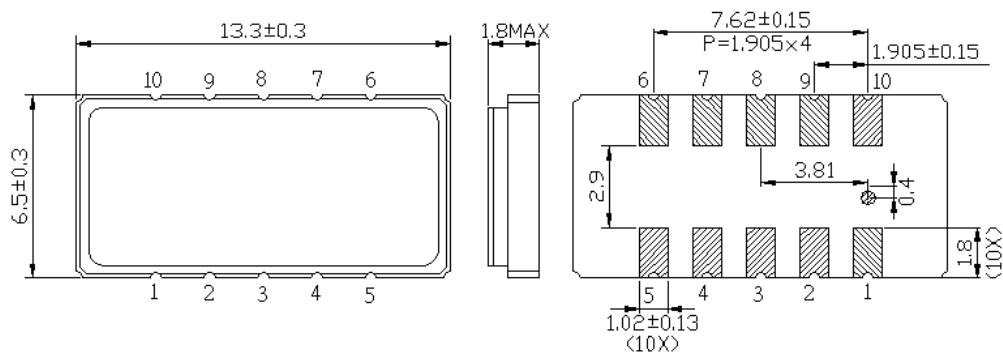
**SAW Filter 241.0MHz**  
**Part No: MP08575**

**Model: TB1188A**  
**Rev No: 1**

**D. MATCHING CIRCUIT:**

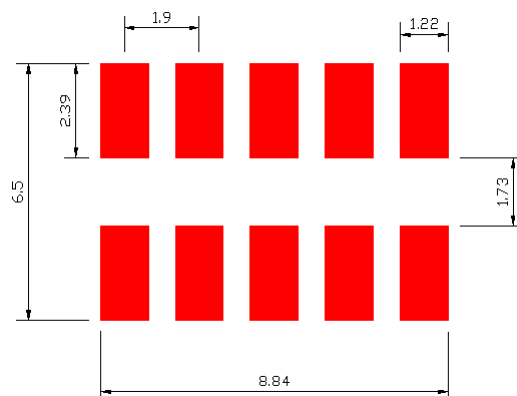


**E. OUTLINE DRAWING:**



- 10: Input
  - 1: Input Ground
  - 5: Output
  - 6: Output Ground
  - 2, 3, 4, 7, 8, 9: Ground
- Unit: mm

**F. PCB FOOTPRINT:**

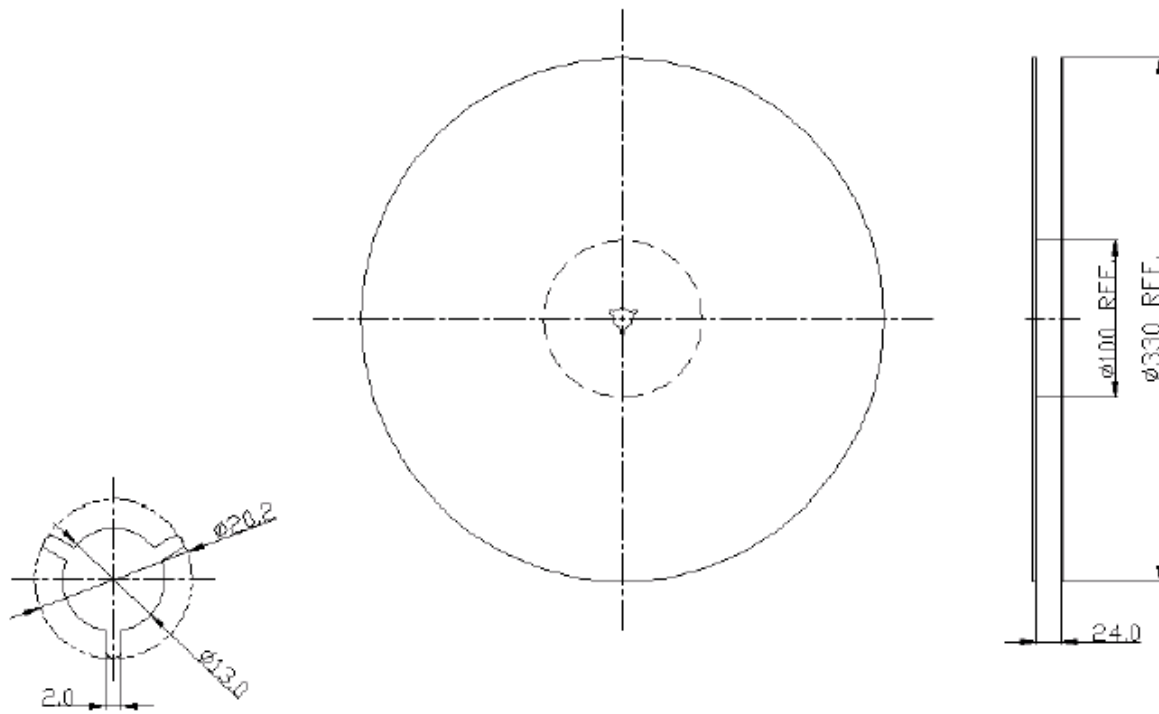


**SAW Filter 241.0MHz**  
**Part No: MP08575**

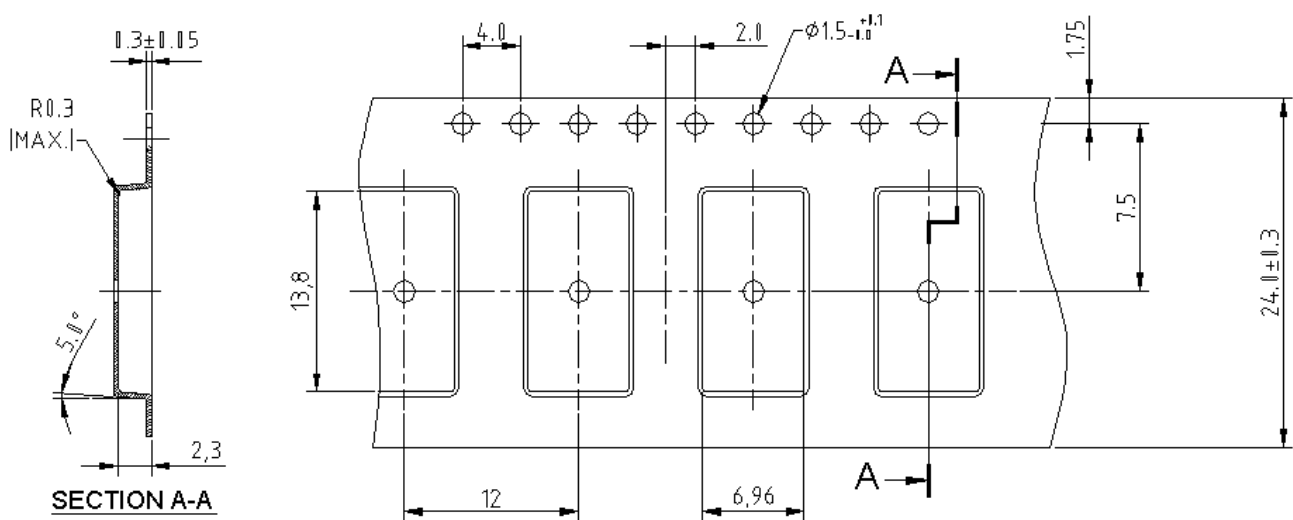
**Model: TB1188A**  
**Rev No: 1**

**G. PACKING:**

1. Reel Dimension



2. Tape Dimension



**SAW Filter 241.0MHz**  
**Part No: MP08575**

**Model: TB1188A**  
**Rev No: 1**

**H. RECOMMENDED REFLOW PROFILE:**

1. Preheating shall be fixed at 150 ~ 180°C for 60 ~ 90 seconds.
2. Ascending time to preheating temperature 150°C shall be 30 seconds min.
3. Heating shall be fixed at 220°C for 50 ~ 80 seconds and at 245 ~ 260°C peak (min. 10 sec).
4. Time: 2 times.

