

**SAW Filter 127.50MHz**  
**Part No: MP09685**

**Model: TB1341A**  
**Rev No: 1**

**A. MAXIMUM RATING:**

Electrostatic Sensitive Device

1. Operating temperature range: -40°C to 85°C
2. Storage temperature range: -40°C to 85°C
3. Input Power Level: 15 dBm
4. Maximum DC Voltage: 10V
5. Moisture Sensitivity Level: Level1 (MSL1)

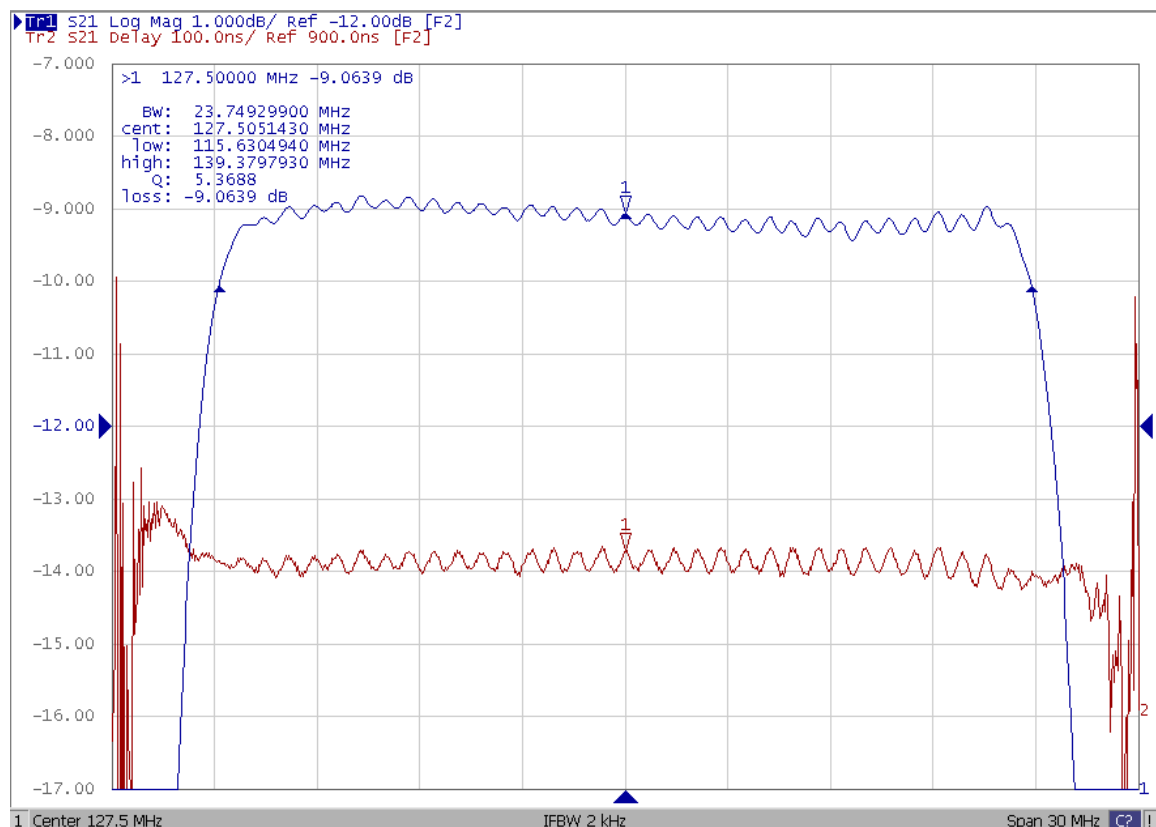
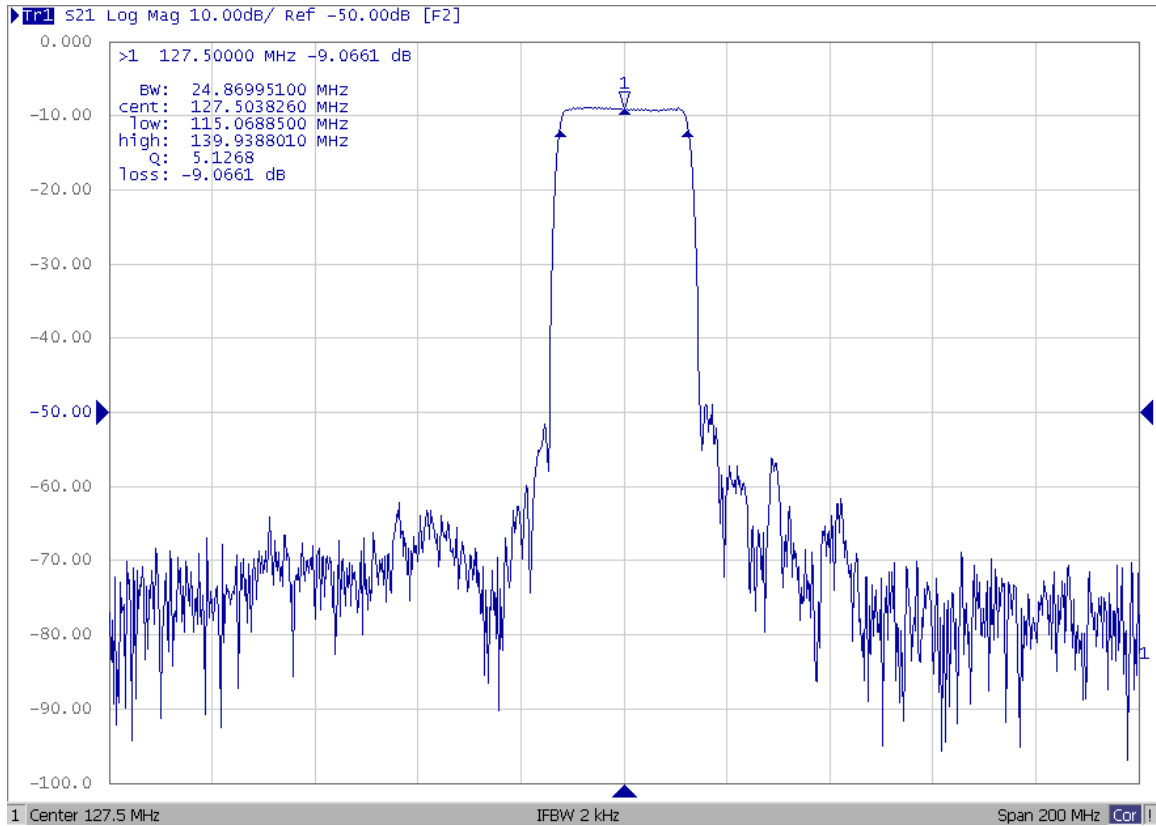
**B. ELECTRICAL CHARACTERISTICS:**

Item	Unit	Min.	Typ.	Max.
Center frequency Fc	MHz	-	127.5	-
Insertion Loss IL	dB	-	9.0	10.0
1dB Bandwidth	MHz	20.0	23.7	-
Passband Ripple Fc ±10MHz	dB	-	0.6	1.0
Absolute group Delay	us	-	0.73	-
Group Delay variation Fc ±10MHz	ns	-	40	-
Attenuation (Reference level from minimum Insertion loss)				
10MHz ~ 107MHz	dB	40	55	-
148MHz ~ 220MHz	dB	40	49	-
Temperature Coefficient	ppm/°C	-	-94	-
Source Impedance	Ohm	-	50	-
Load Impedance	Ohm	-	50	-

**SAW Filter 127.50MHz**  
**Part No: MP09685**

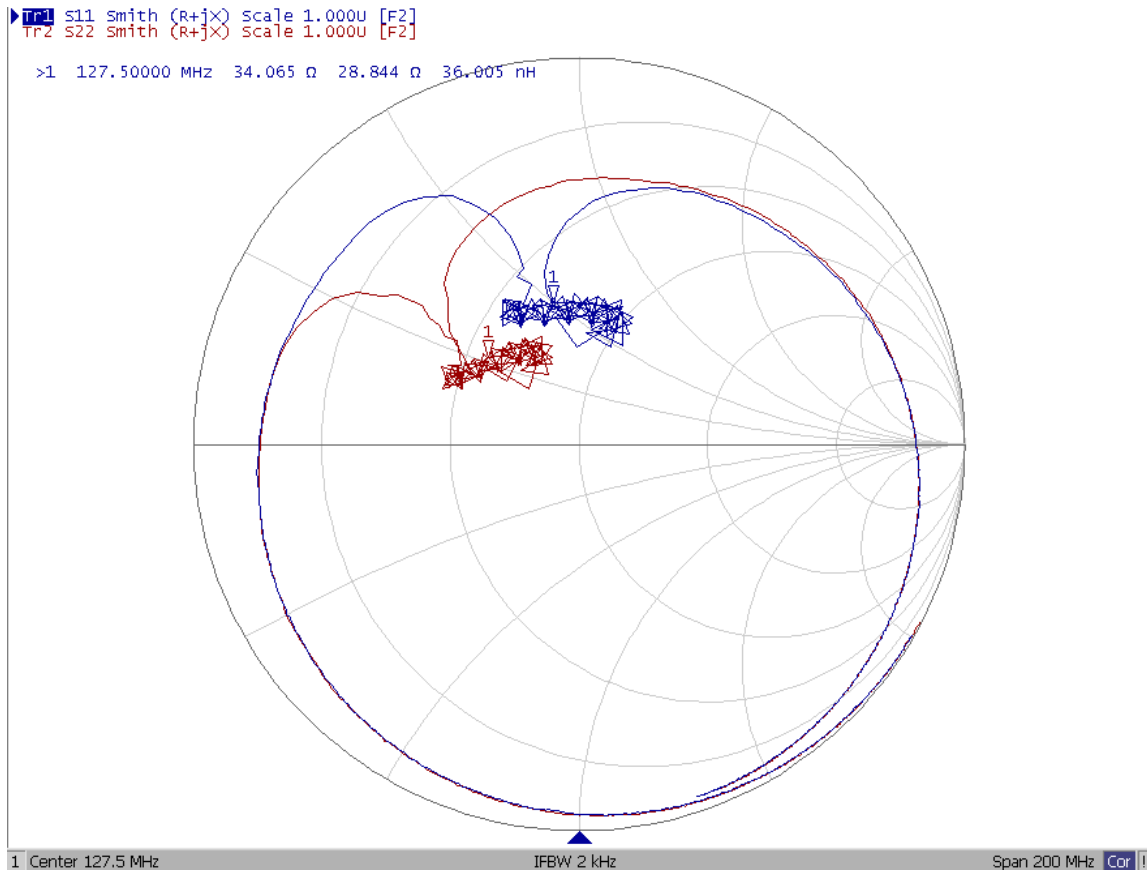
**Model: TB1341A**  
**Rev No: 1**

**C. FREQUENCY CHARACTERISTICS:**



**SAW Filter 127.50MHz**  
**Part No: MP09685**

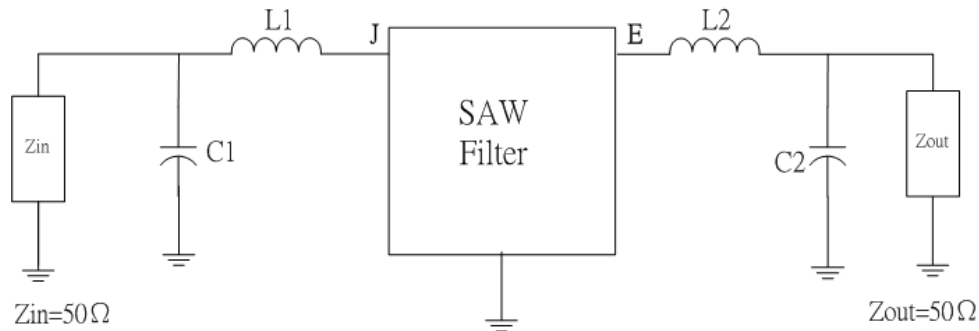
**Model: TB1341A**  
**Rev No: 1**



**SAW Filter 127.50MHz**  
**Part No: MP09685**

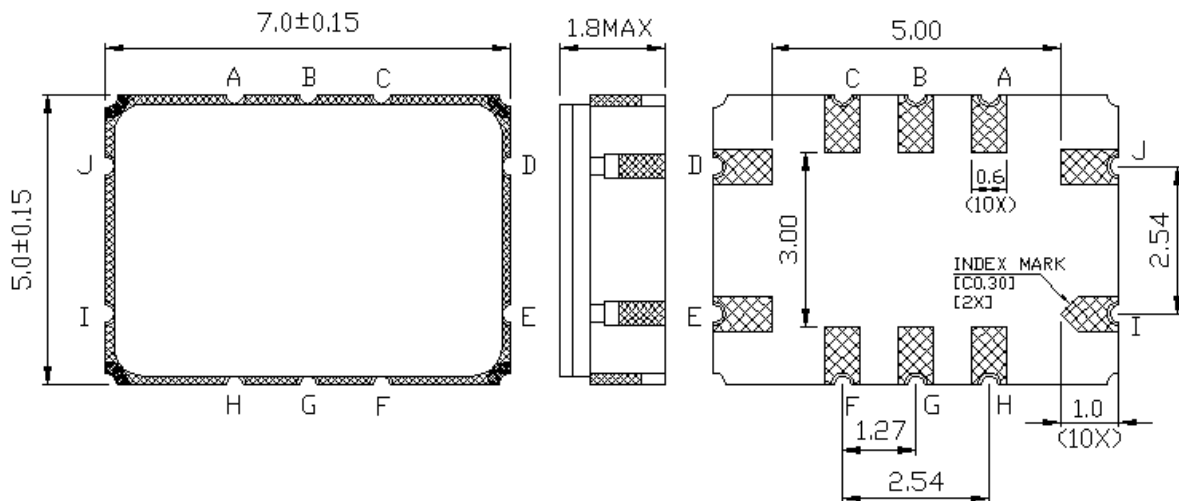
**Model: TB1341A**  
**Rev No: 1**

**D. MATCHING CIRCUIT:**

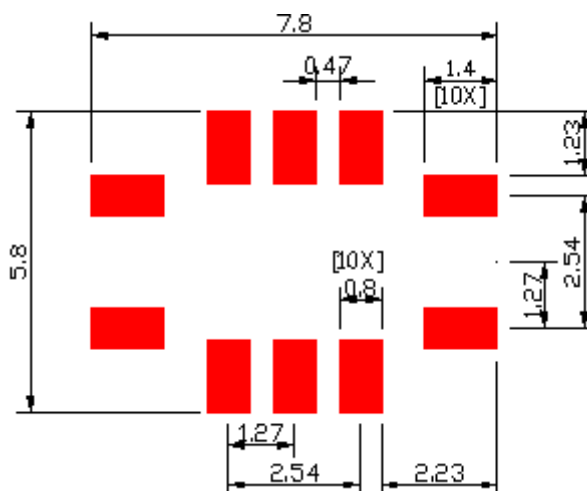


$L1 = 120\text{Nh}$ ,  $L2 = 120\text{nH}$ ,  $C1 = 12\text{pF}$ ,  $C2 = 11\text{pF}$

**E. OUTLINE DRAWING:**



**F. PCB FOOTPRINT:**

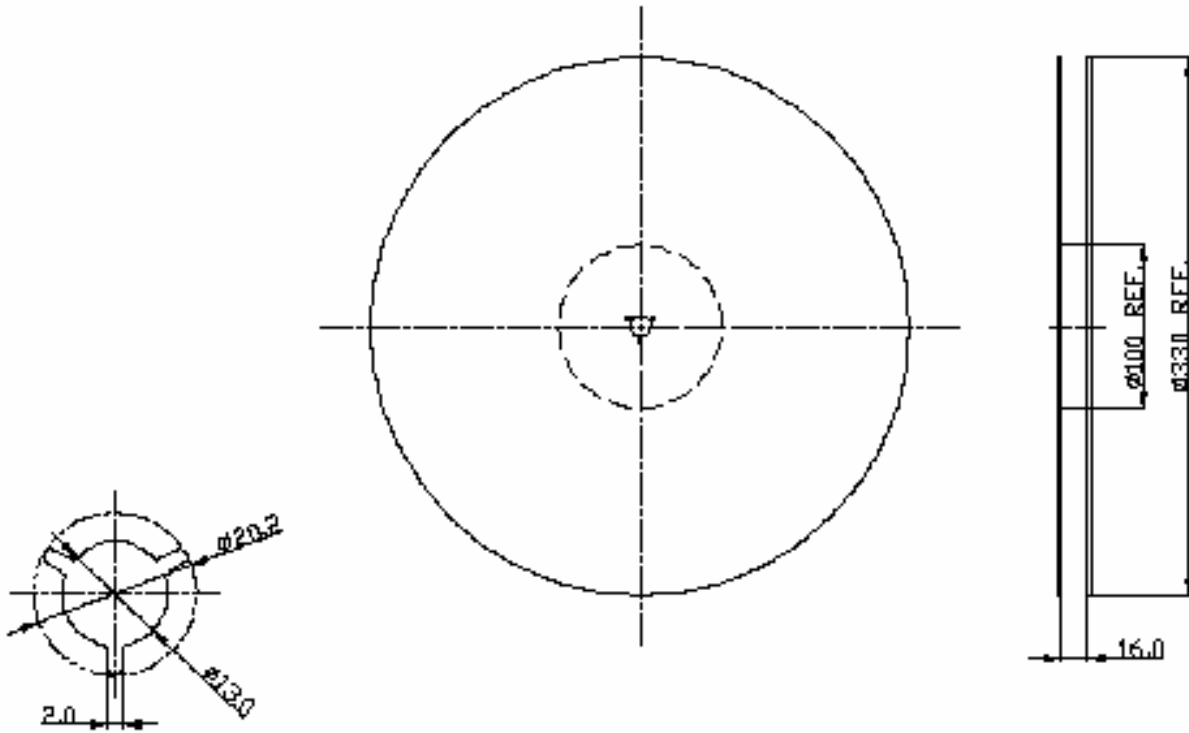


**SAW Filter 127.50MHz**  
**Part No: MP09685**

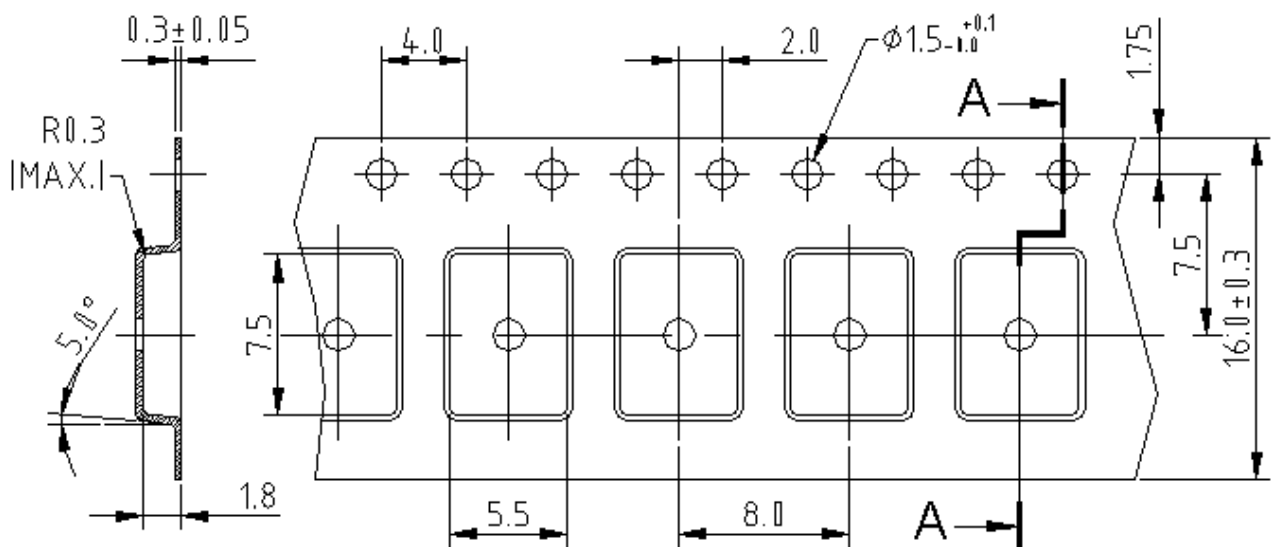
**Model: TB1341A**  
**Rev No: 1**

**G. PACKING:**

1. Reel Dimensions



2. Tape Dimensions



**SAW Filter 127.50MHz**  
**Part No: MP09685**

**Model: TB1341A**  
**Rev No: 1**

**H. RECOMMENDED REFLOW PROFILE:**

1. Preheating shall be fixed at 150 ~ 180°C for 60 ~ 90 seconds.
2. Ascending time to preheating temperature 150°C shall be 30 seconds min.
3. Heating shall be fixed at 220°C for 50 ~ 80 seconds and at 260°C +0/-5°C peak (20 ~ 40 sec).
4. Time: 2 times.

