

**SAW Filter 866.0MHz**  
**Part No: MP08149**

**Ref No: TA1812A**  
**Rev No: 1**

**A. MAXIMUM RATING:**

Electrostatic Sensitive Device (ESD)

1. Input Power Level: 13dBm
2. DC Voltage: 0V
3. Operating Temperature: -40°C to +85°C
4. Storage Temperature: -40°C to +85°C

**B. ELECTRICAL CHARACTERISTICS:**

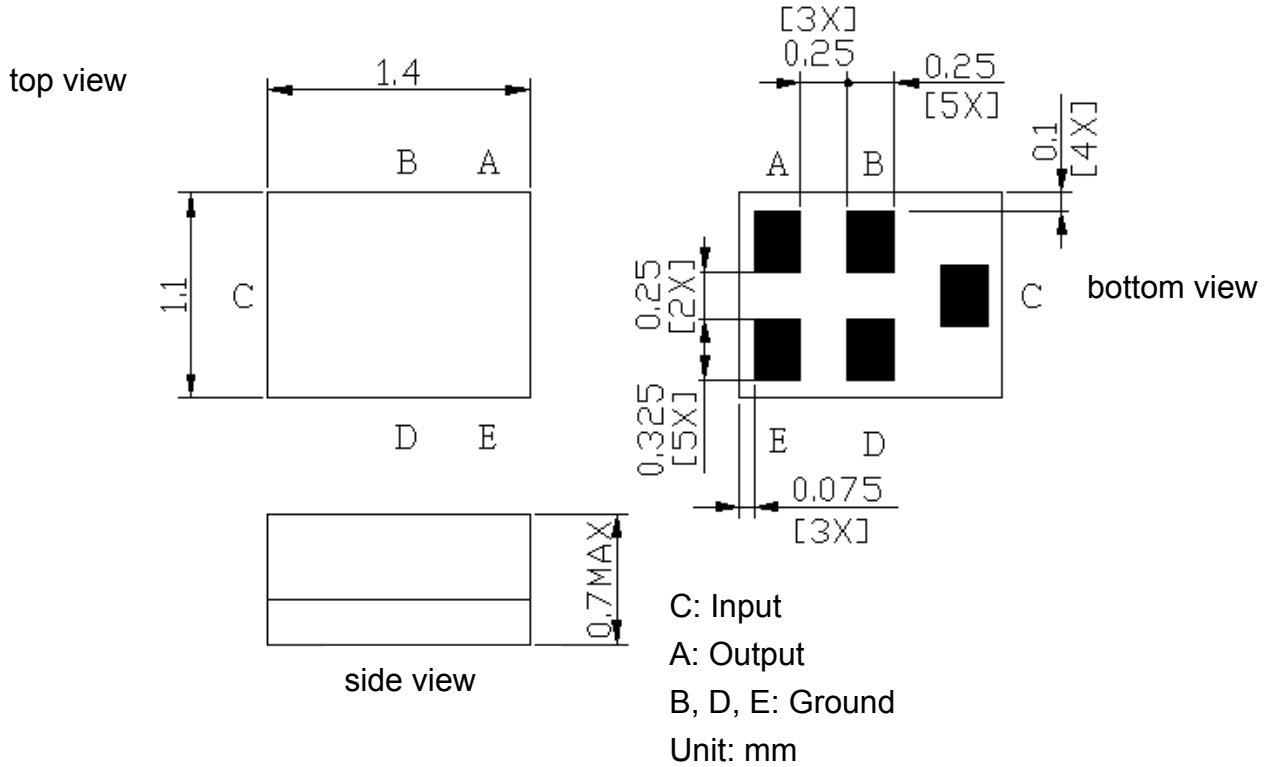
1. Terminating source impedance (single):  $Z_S = 50\Omega$
2. Terminating load impedance (single):  $Z_L = 50\Omega$

Item	Unit	Min	Typ.	Max
Center Frequency Fc	MHz	-	866	-
Insertion Loss (865 ~ 867MHz) IL	dB		2.3	3.0
Amplitude ripple (865 ~ 867MHz)	dB		0.3	0.6
Attenuation				
100 ~ 300MHz	dB	45	50	
300 ~ 845MHz	dB	40	45	
845 ~ 850MHz	dB	35	40	
878 ~ 883MHz	dB	15	30	
883 ~ 915MHz	dB	35	40	
915 ~ 945MHz	dB	35	40	
945 ~ 1200MHz	dB	35	40	
1200 ~ 2000MHz	dB	30	35	
Package size	mm	SMD 1411		

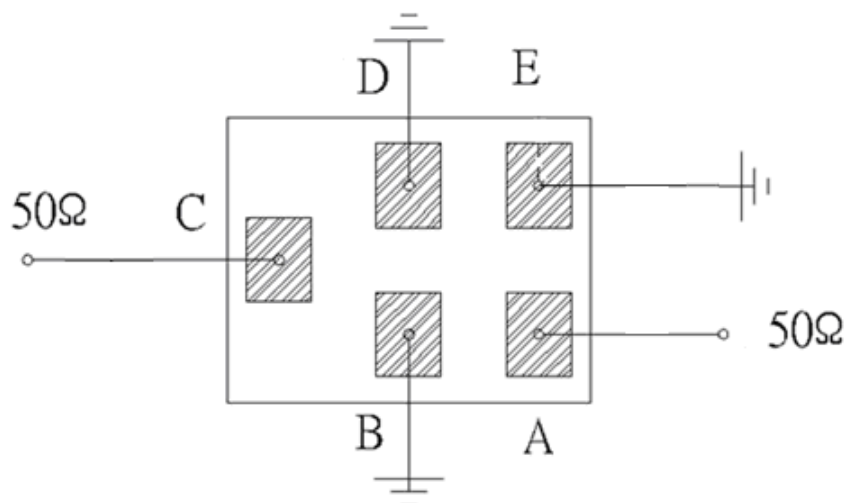
**SAW Filter 866.0MHz**  
**Part No: MP08149**

**Ref No: TA1812A**  
**Rev No: 1**

**C. OUTLINE DRAWING:**



**D. MEASUREMENT CIRCUIT:**

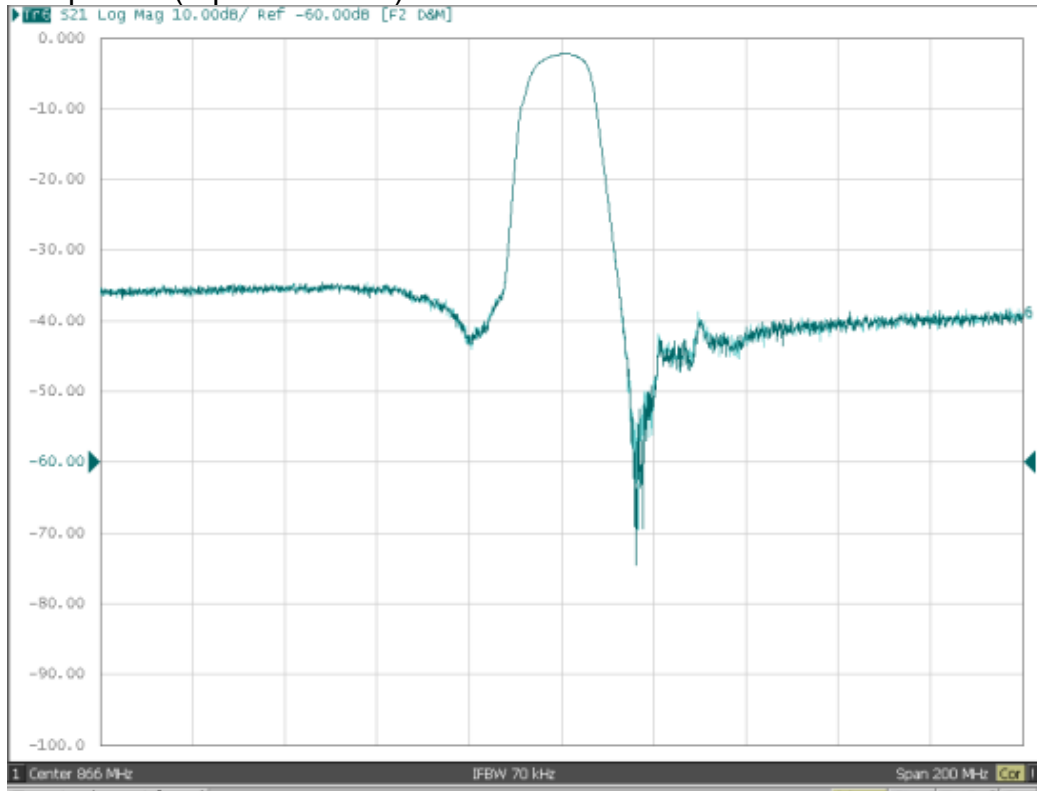


**SAW Filter 866.0MHz**  
**Part No: MP08149**

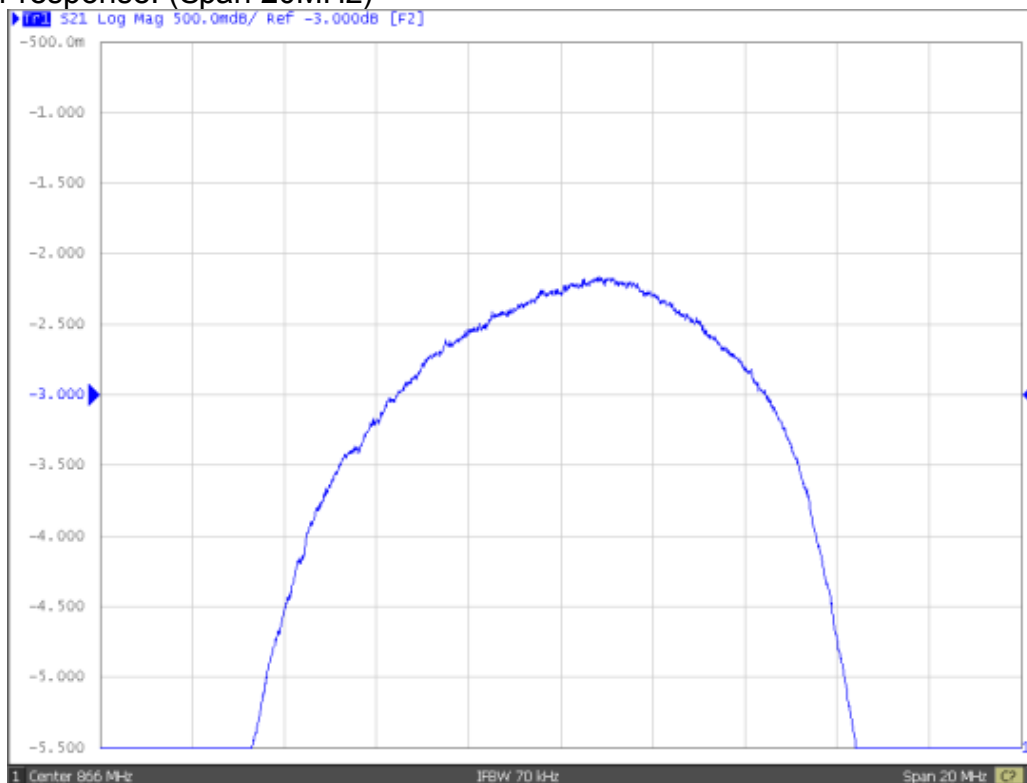
**Ref No: TA1812A**  
**Rev No: 1**

**E. FREQUENCY CHARACTERISTICS:**

1. S21 response :( Span 200MHz)



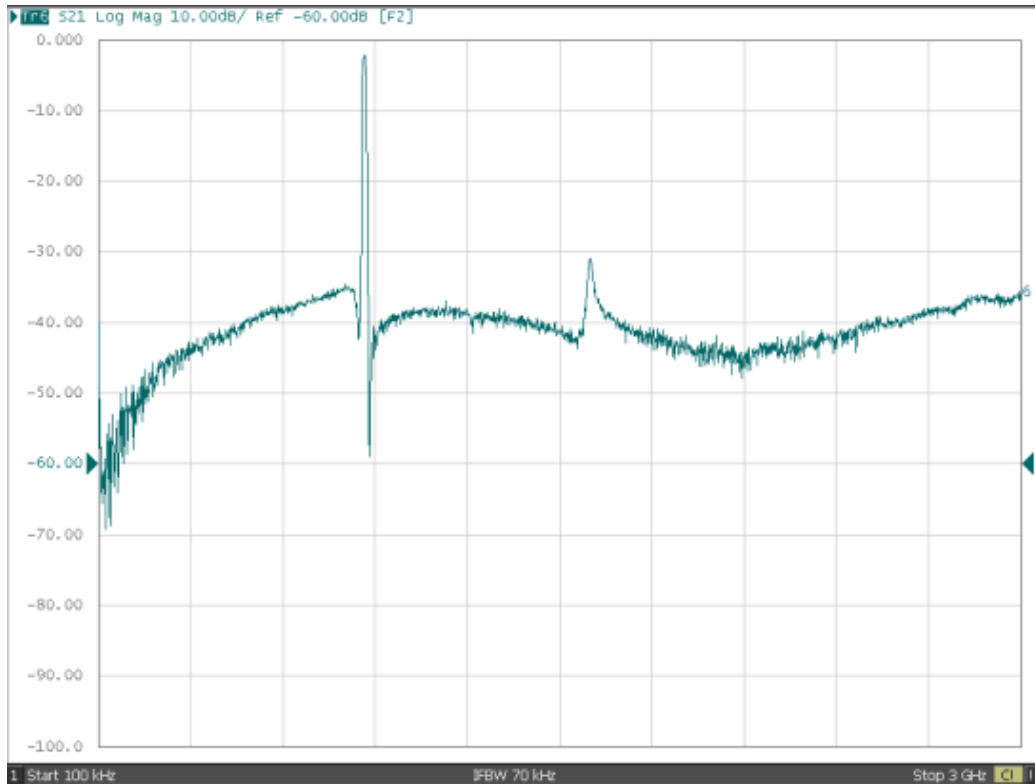
2. S21 response: (Span 20MHz)



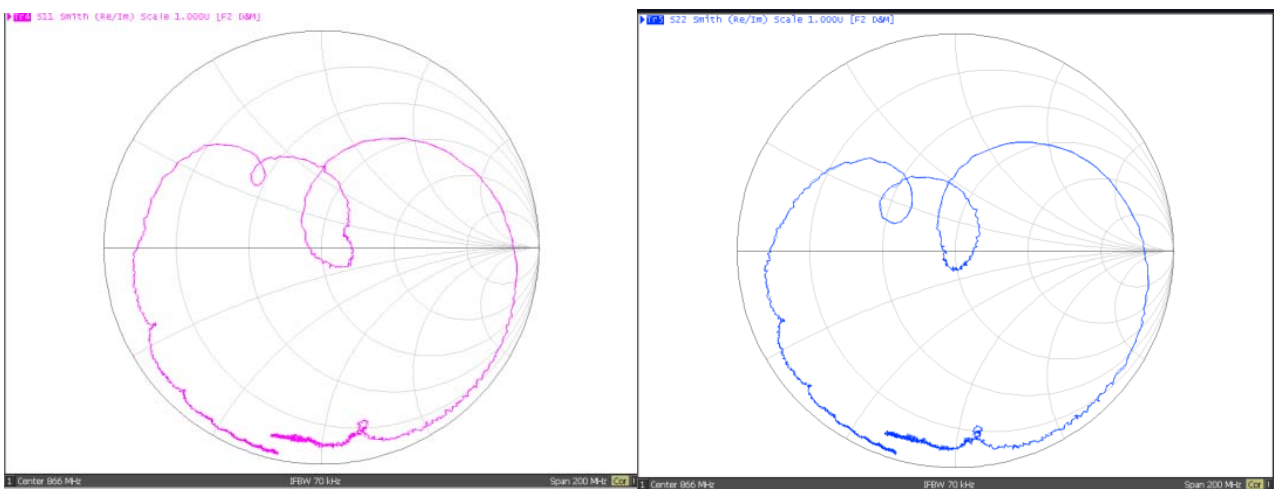
**SAW Filter 866.0MHz**  
**Part No: MP08149**

**Ref No: TA1812A**  
**Rev No: 1**

3. S21 response :( 100KHz ~ 3GHz)



4. S11/S22 response:

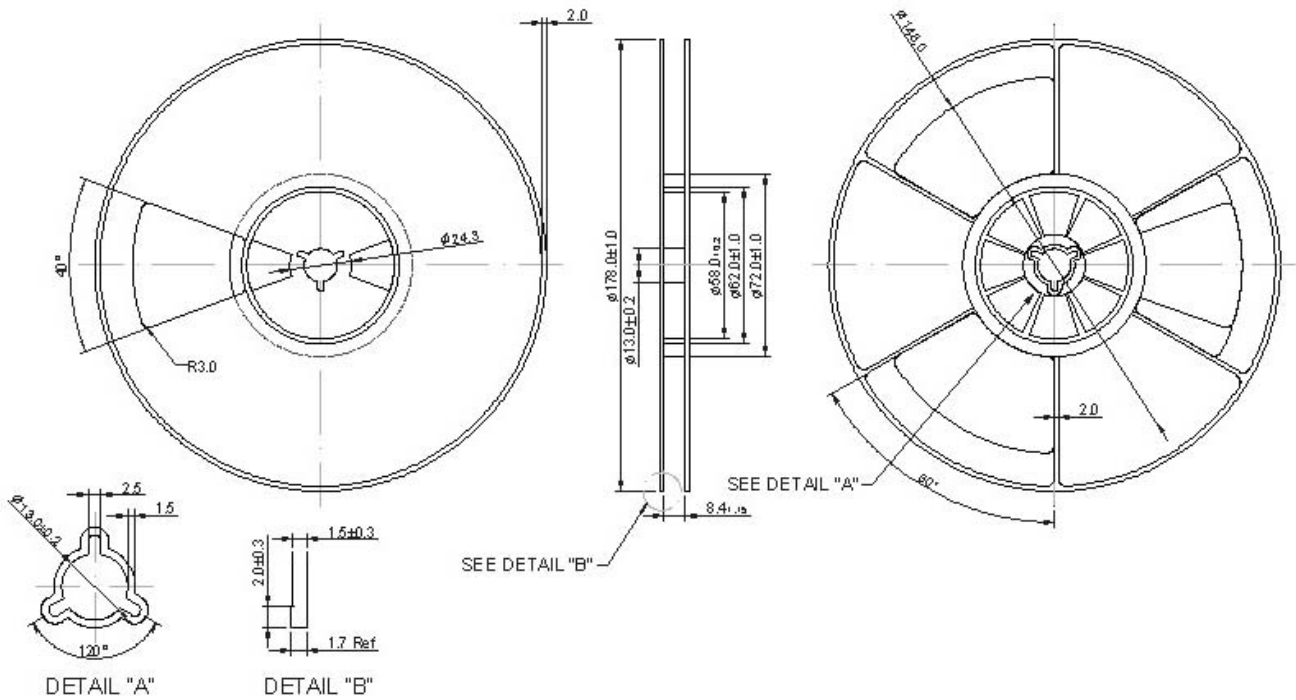


**SAW Filter 866.0MHz**  
**Part No: MP08149**

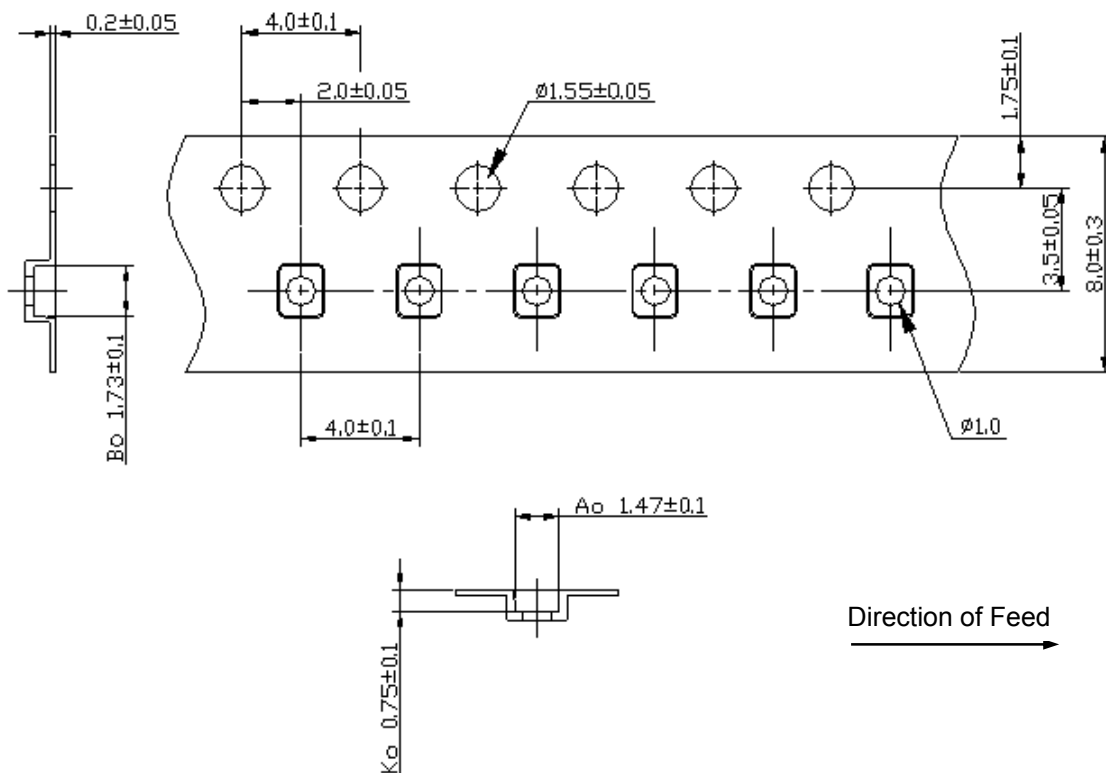
**Ref No: TA1812A**  
**Rev No: 1**

**F. PACKING:**

1. Reel Dimension



2. Tape Dimension



**SAW Filter 866.0MHz**  
**Part No: MP08149**

**Ref No: TA1812A**  
**Rev No: 1**

**G. RECOMMENDED REFLOW PROFILE:**

1. Preheating shall be fixed at 150 ~ 180°C for 60 ~ 90 seconds.
2. Ascending time to preheating temperature 150°C shall be 30 seconds min.
3. Heating shall be fixed at 220°C for 50 ~ 80 seconds and at 260°C +0/-5°C peak (20 ~ 40 sec).
4. Time: 2 times.

