

SAW Filter 868.0MHz
Part No: MP08150

Ref No: TA1245A
Rev No: 1

A. MAXIMUM RATING:

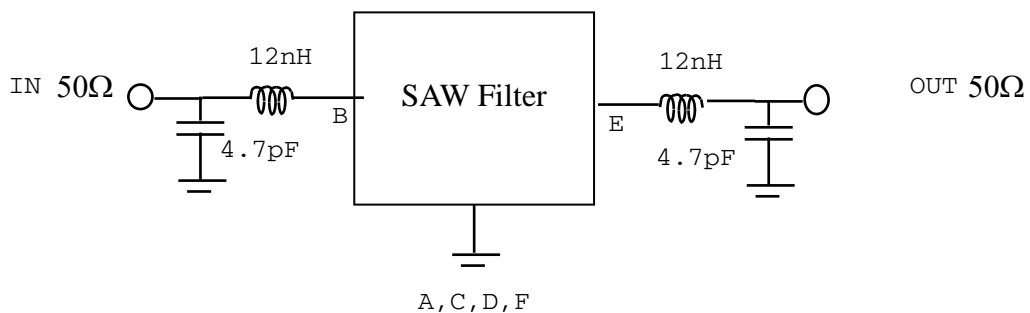
1. Input Power Level: 10dBm
2. DC voltage: 12V
3. Operating Temperature: -40°C to +85°C
4. Storage Temperature: -40°C to +85°C

B. ELECTRICAL CHARACTERISTICS:

Item	Unit	Min.	Typ.	Max.
Center frequency Fc	MHz	-	868	-
Insertion loss IL (min)	dB	-	3.6	5.5
Pass bandwidth (relative to IL) BW3	kHz		1800	-
Attenuation (Reference level from 0dB)				
At Fc -21.4MHz	dB	43	53	-
At Fc -10.7MHz	dB	42	52	-
Impedance at Fc, Input $Z_{IN} = R_{IN} // C_{IN} Z_S$	Ω	108.4 Ω // 3.7pF		
Impedance at Fc, Output $Z_{OUT} = R_{OUT} // C_{OUT} Z_L$	Ω	108.4 Ω // 3.7pF		

C. MEASUREMENT CIRCUIT:

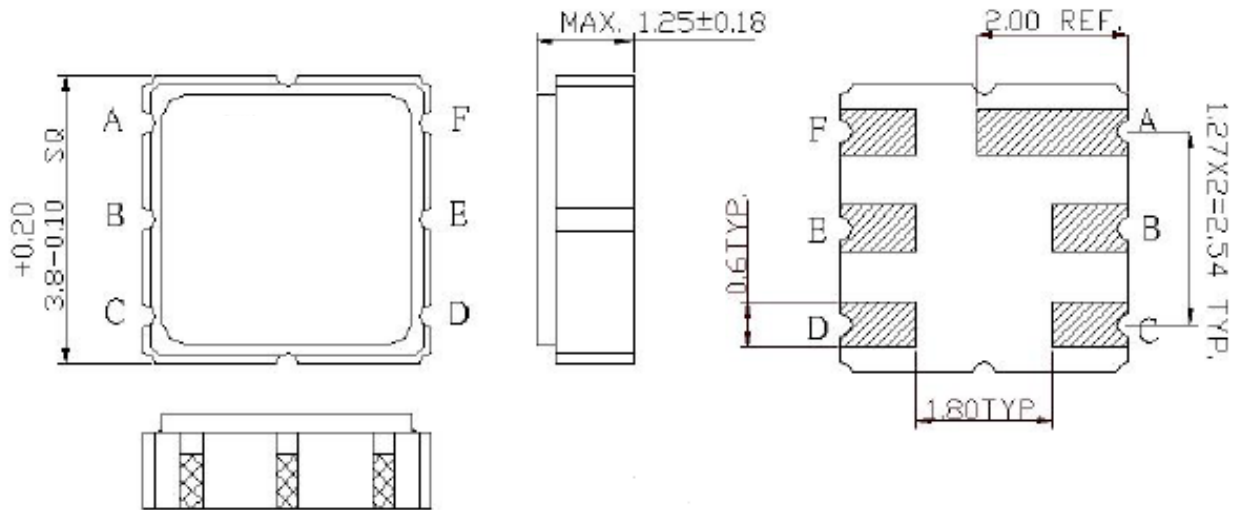
HP Network analyzer



SAW Filter 868.0MHz
Part No: MP08150

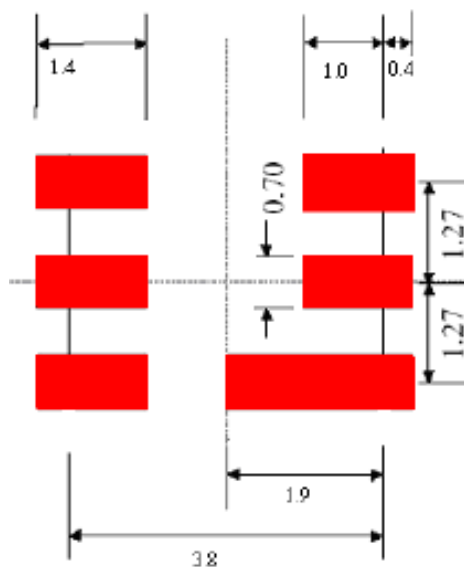
Ref No: TA1245A
Rev No: 1

D. OUTLINE DRAWING:



E: Input or Output
 B: Output or Input
 A, C, D, F: Ground
 Unit: mm

E. PCB FOOTPRINT:

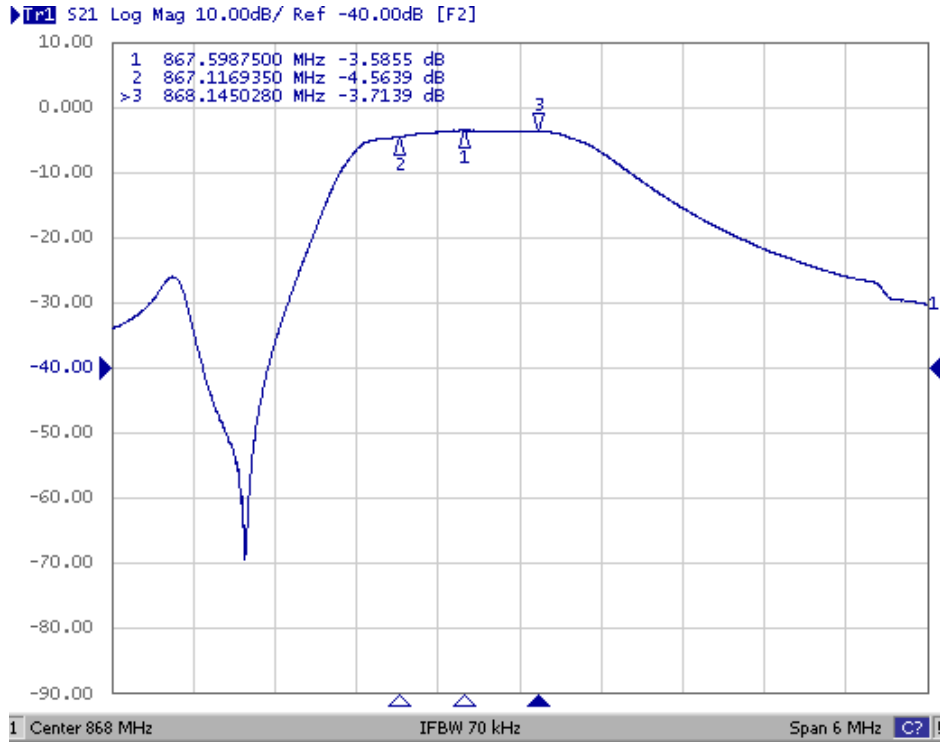


SAW Filter 868.0MHz
Part No: MP08150

Ref No: TA1245A
Rev No: 1

F. FREQUENCY CHARACTERISTICS:

1. Transfer function

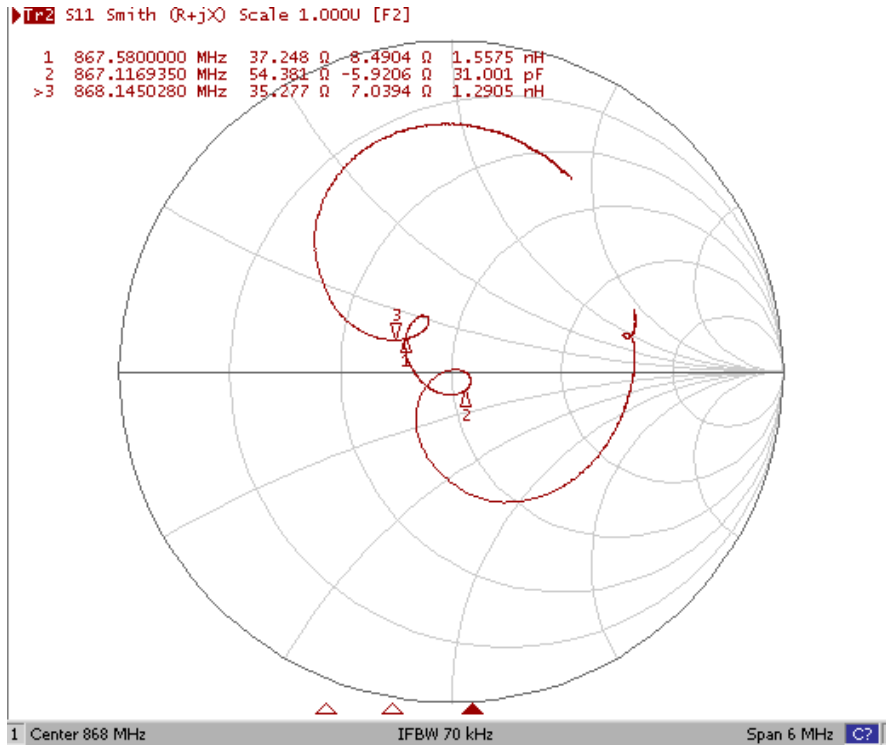


SAW Filter 868.0MHz
Part No: MP08150

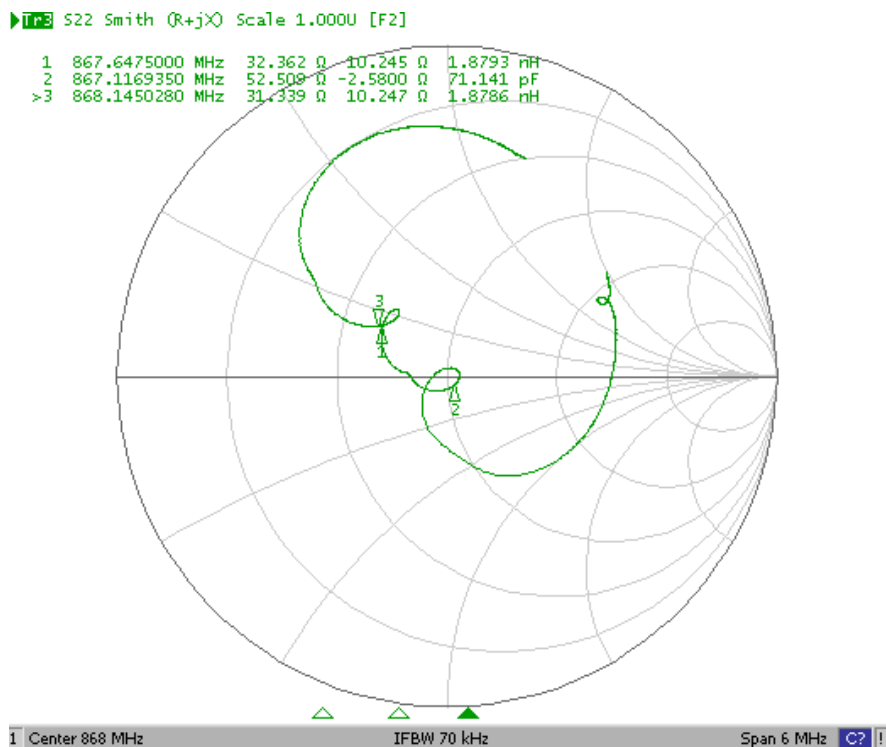
Ref No: TA1245A
Rev No: 1

2. Smith Chart:

S11



S22



SAW Filter 868.0MHz
Part No: MP08150

Ref No: TA1245A
Rev No: 1

H. RECOMMENDED REFLOW PROFILE:

