

SAW Filter 2185.0MHz

Model: TA1255A

Part No: MP06111

Rev No: 1

A. MAXIMUM RATING:

Electrostatic Sensitive Device (ESD)

1. Input Power Level: 10dBm
2. DC Voltage: 3V
3. Operating Temperature: -30°C to +105°C
4. Storage Temperature: -40°C to +105°C

B. ELECTRICAL CHARACTERISTICS:

1. Terminating source impedance: $Z_S = 50\Omega$
2. Terminating load impedance: $Z_L = 50\Omega$

Item	Unit	Min.	Typ.	Max.	Note
Center Frequency F_c	MHz	-	2185	-	-
Max. Insertion Loss (2170 ~ 2200MHz) IL	dB	-	2	3.5	-
Amplitude ripple (2170 ~ 2200MHz)	dB	-	0.5	2.3	-
VSWR (2170 ~ 2200 MHz)		-	1.6	2.0	-
Attenuation (Reference level from 0dB)					
0.1 ~ 1980MHz	dB	29	30.5	-	-
1980 ~ 2010MHz	dB	32	39.4	-	-
2010 ~ 2110MHz	dB	20	32	-	-
2260 ~ 2300MHz	dB	20	27	-	-
2300 ~ 3500MHz	dB	29	34	-	-
3500 ~ 6000MHz	dB	20	23	-	-
Temperature Coefficient of Frequency	ppm/°C	-	-36	-	-

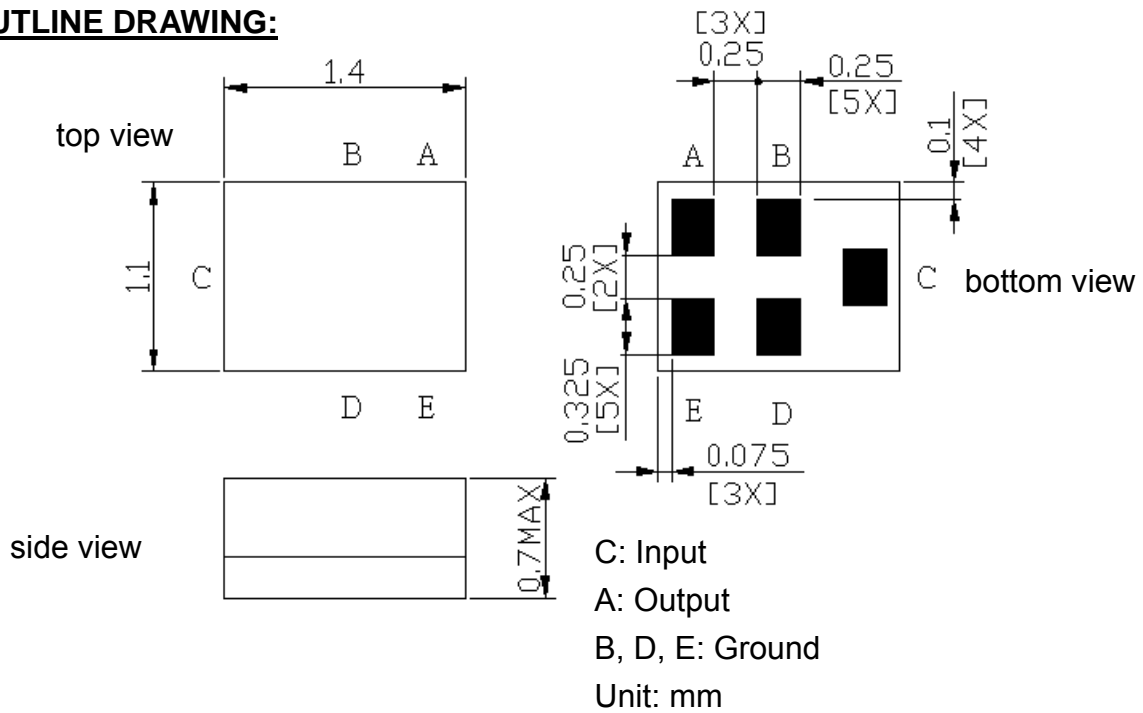
SAW Filter 2185.0MHz

Model: TA1255A

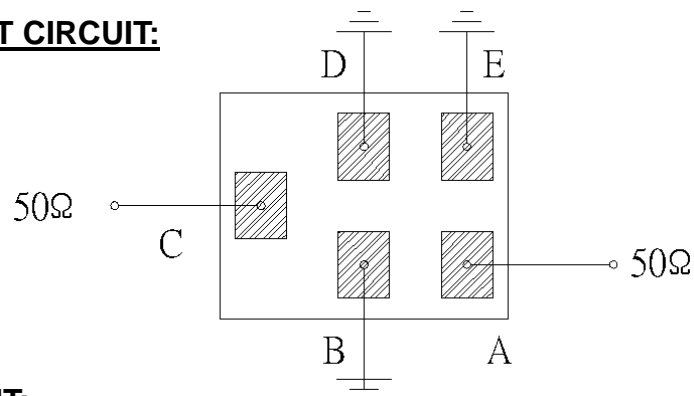
Part No: MP06111

Rev No: 1

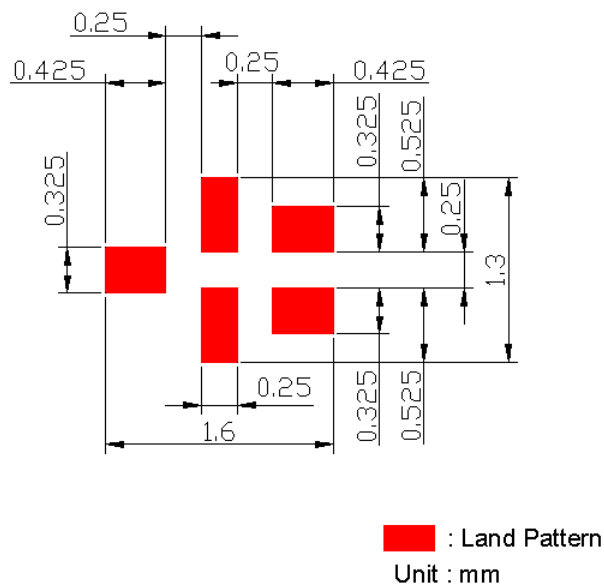
C. OUTLINE DRAWING:



D. MEASUREMENT CIRCUIT:



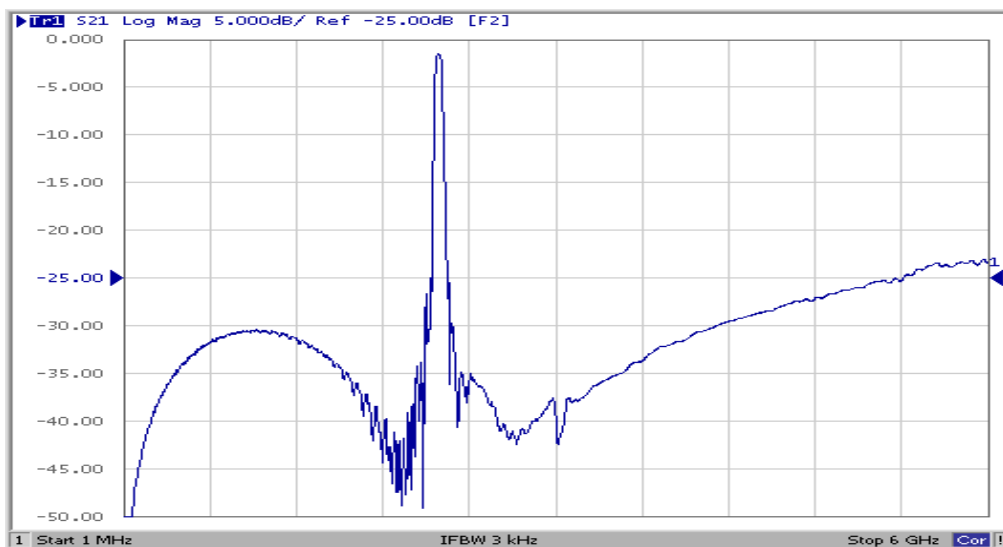
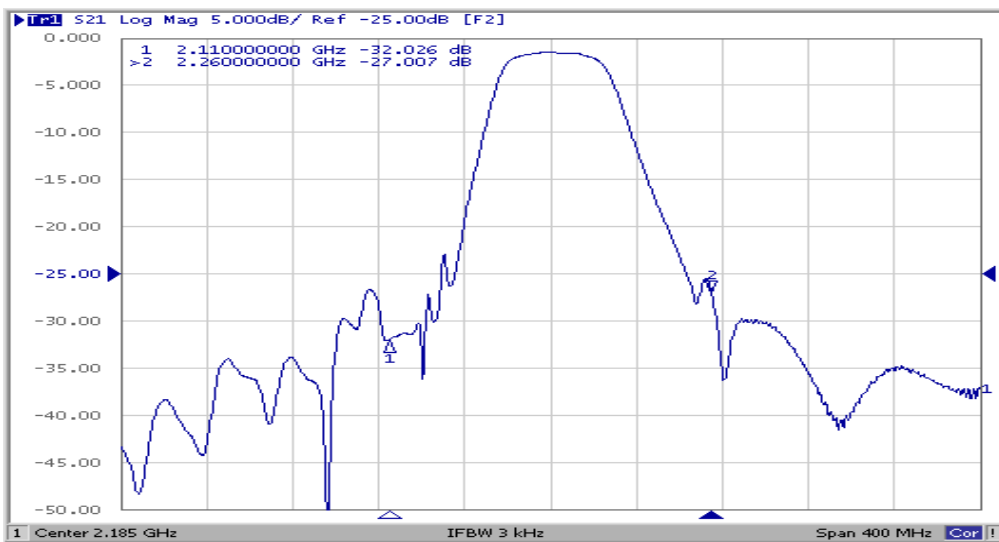
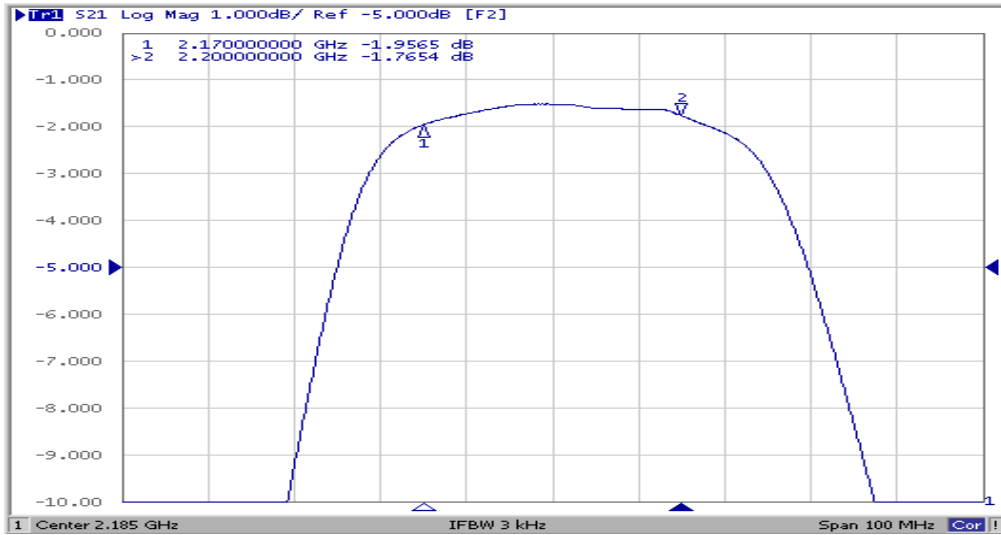
E. PCB FOOTPRINT:



SAW Filter 2185.0MHz
Part No: MP06111

Model: TA1255A
Rev No: 1

F. FREQUENCY CHARACTERISTICS:

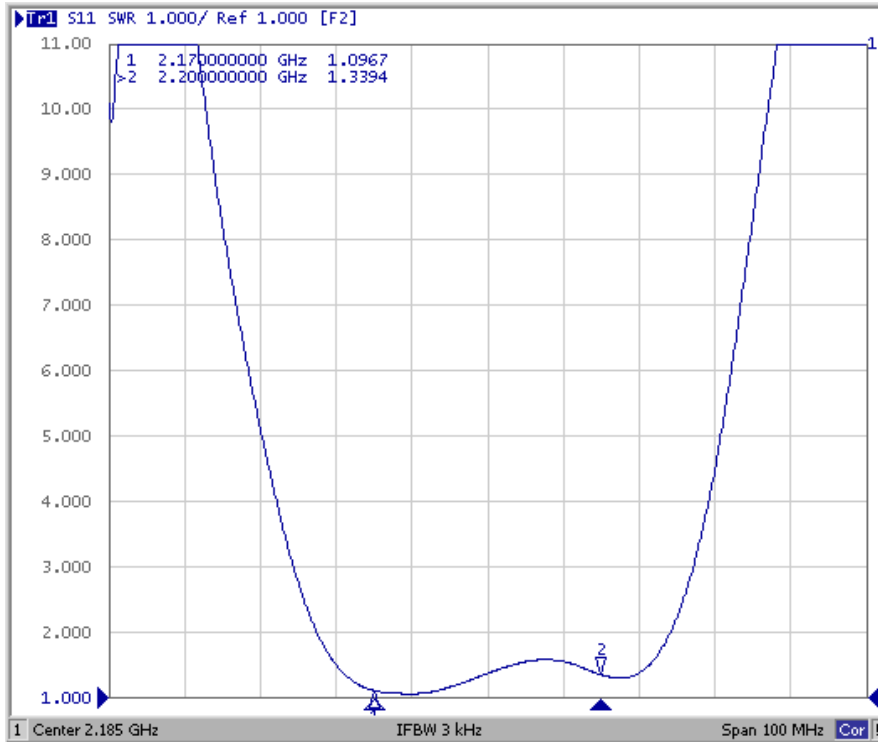


SAW Filter 2185.0MHz
Part No: MP06111

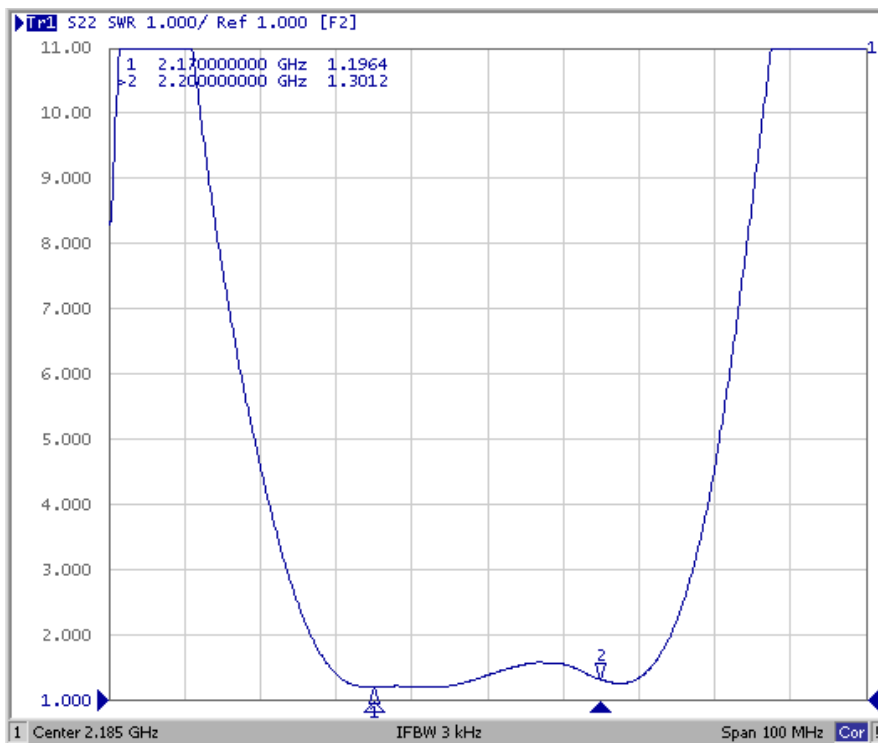
Model: TA1255A
Rev No: 1

Reflection Functions

S11



S22

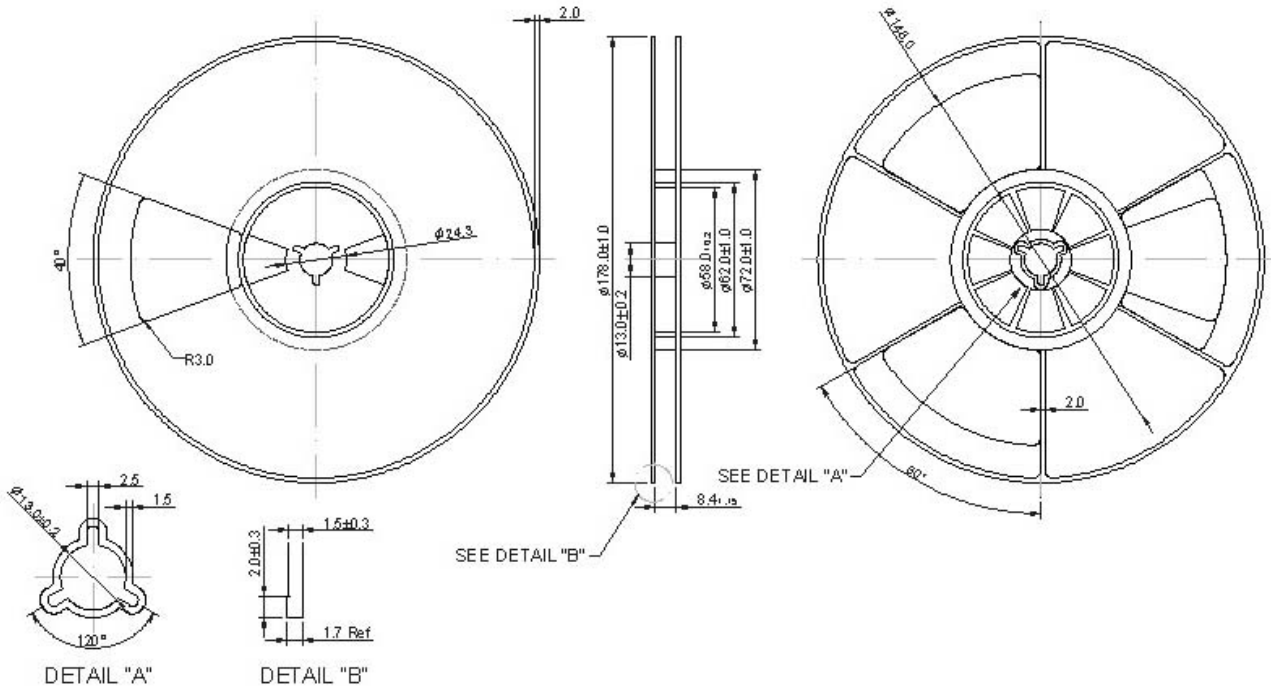


SAW Filter 2185.0MHz
Part No: MP06111

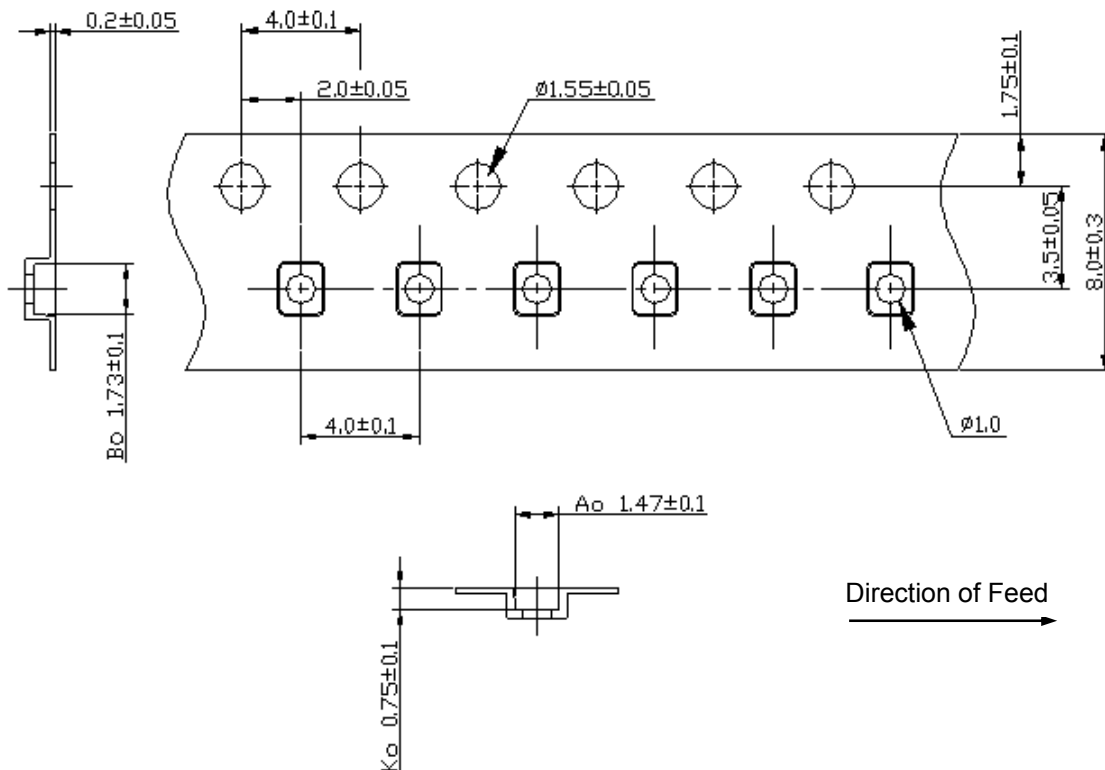
Model: TA1255A
Rev No: 1

G. PACKING:

1. Reel Dimension



2. Tape Dimension



SAW Filter 2185.0MHz
Part No: MP06111

Model: TA1255A
Rev No: 1

H. RECOMMENDED REFLOW PROFILE:

1. Preheating shall be fixed at 150 ~ 180°C for 60 ~ 90 seconds.
2. Ascending time to preheating temperature 150°C shall be 30 seconds min.
3. Heating shall be fixed at 220°C for 50 ~ 80 seconds and at 245 ~ 260°C peak (min. 10 sec).
4. Time: 2 times.

