

SAW Filter 908.420 MHz
Part No: MP06495

Model: TA1733A
Rev No: 1

A. MAXIMUM RATING:

Electrostatic Sensitive Device (ESD)

1. Input Power Level: 10dBm
2. DC voltage: 5V
3. Operating Temperature: -30°C to +80°C
4. Storage Temperature: -40°C to +95°C

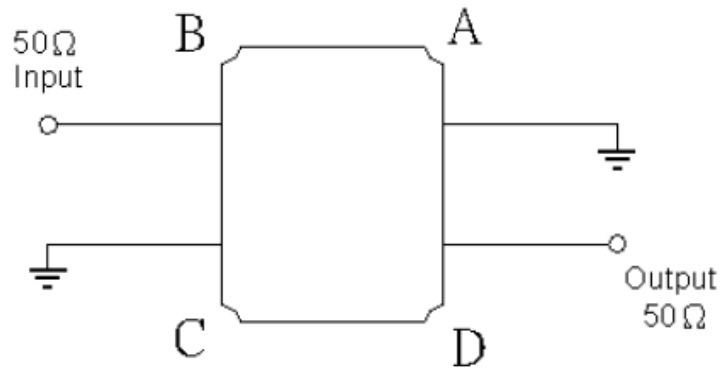
B. ELECTRICAL CHARACTERISTICS:

Item	Unit	Min.	Typ.	Max.
Center frequency Fc	MHz	-	908.42	-
Insertion loss (898.92 ~ 917.92MHz) IL	dB	-	2.2	4.0
Amplitude ripple (898.92 ~ 917.92MHz)	dB	-	0.5	2.0
VSWR (898.92 ~ 917.92MHz)	-	-	1.8	2.5
Attenuation (Reference level from 0dB)				
D.C. ~ 827.9MHz	dB	35	62	-
853.92 ~ 872.92MHz	dB	20	50	-
943.92 ~ 962.92MHz	dB	20	27	-
988.92 ~ 1200MHz	dB	35	55	-
1200 ~ 2000MHz	dB	20	50	-
Source impedance Z _S	Ω	-	50	-
Load impedance Z _L	Ω	-	50	-
Temperature Coefficient of Frequency	ppm/°C	-	-36	-

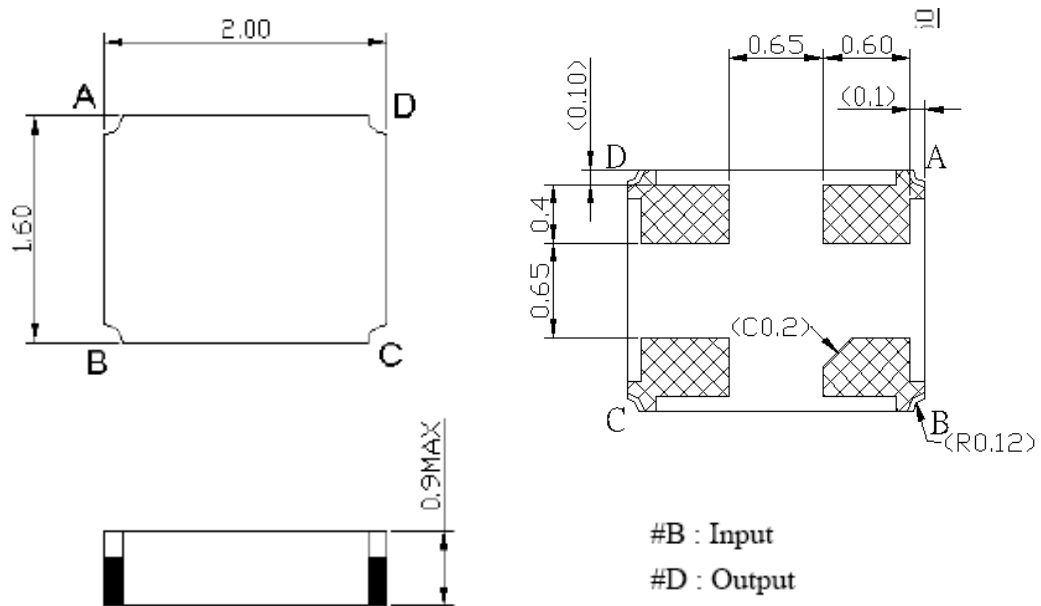
SAW Filter 908.420 MHz
Part No: MP06495

Model: TA1733A
Rev No: 1

C. MEASUREMENT CIRCUIT:

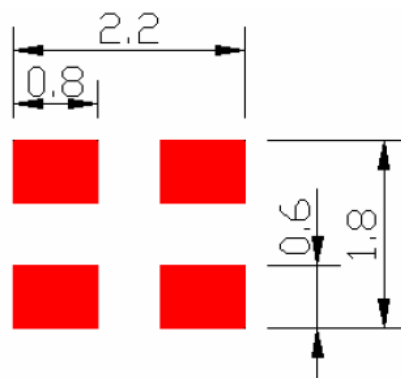


D. OUTLINE DRAWING:



#B : Input
 #D : Output
 #A,C : Ground
 Unit : mm

E. PCB FOOTPRINT:

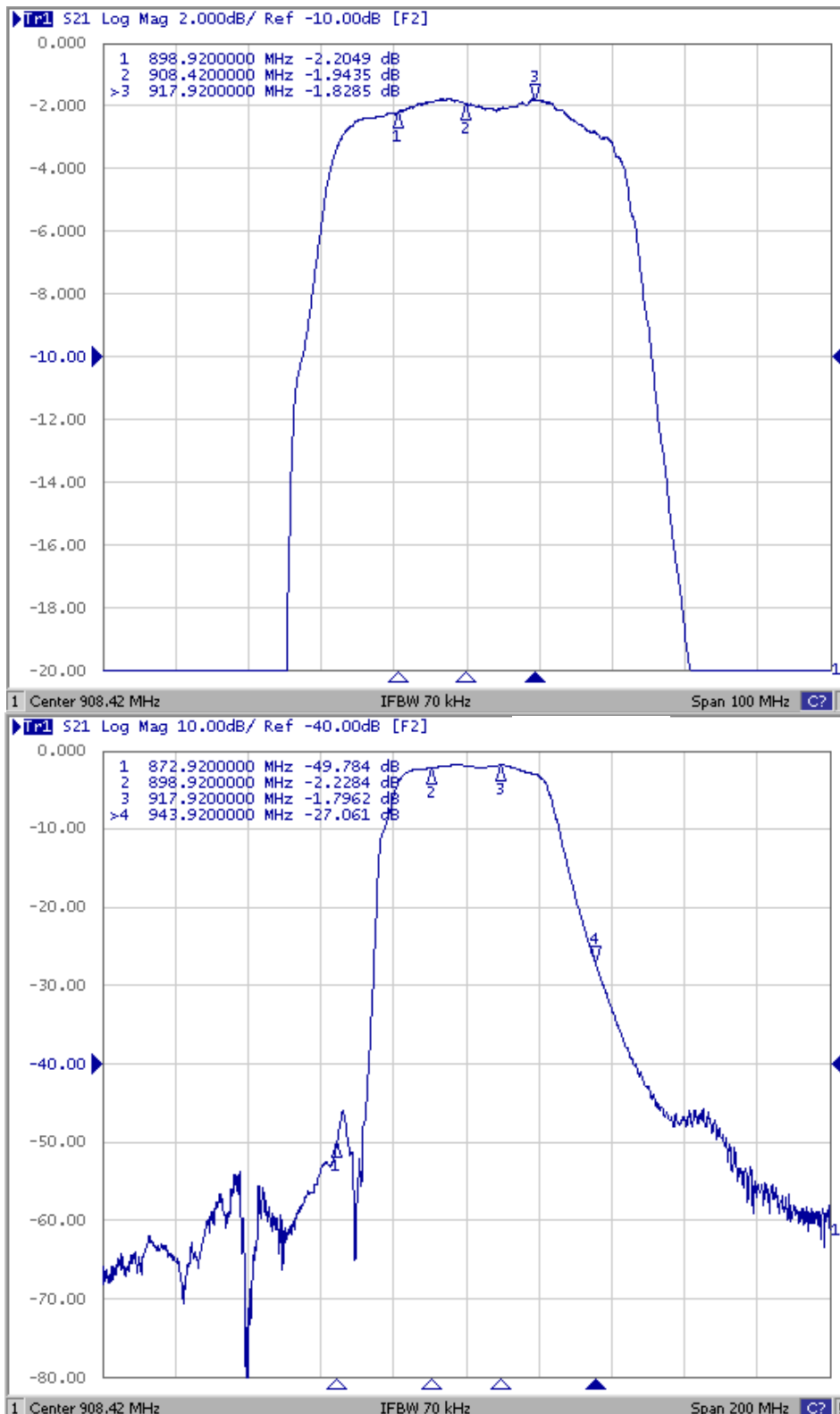


SAW Filter 908.420 MHz
Part No: MP06495

Model: TA1733A
Rev No: 1

F. FREQUENCY CHARACTERISTICS:

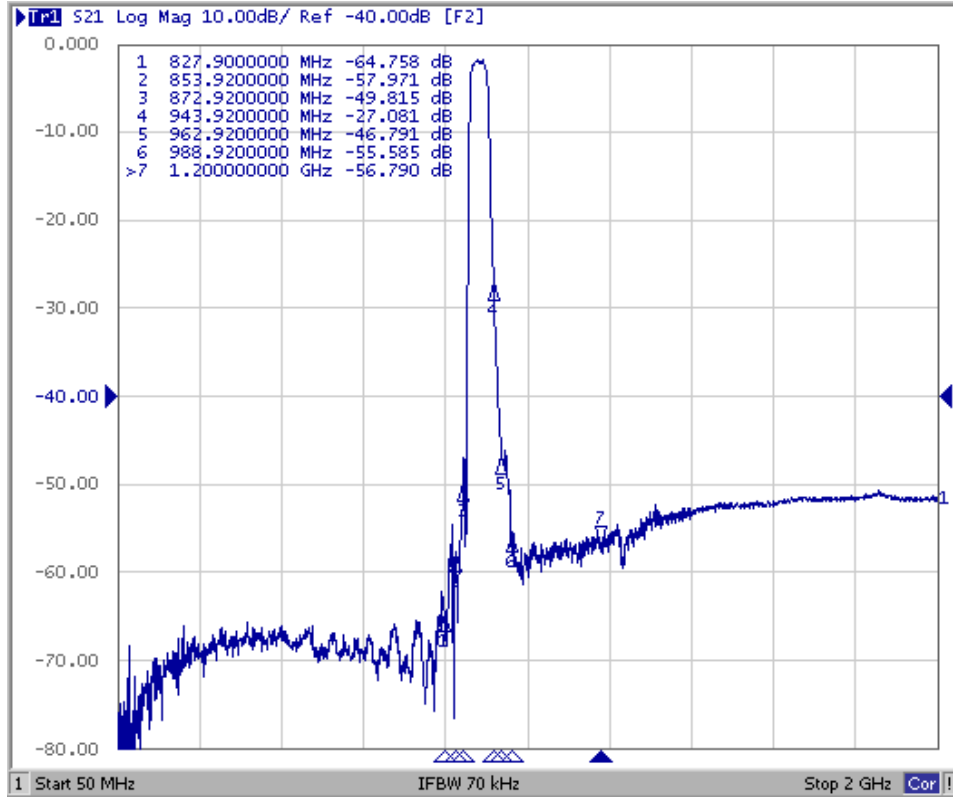
1. Transfer function



SAW Filter 908.420 MHz
Part No: MP06495

Model: TA1733A
Rev No: 1

2. Wideband

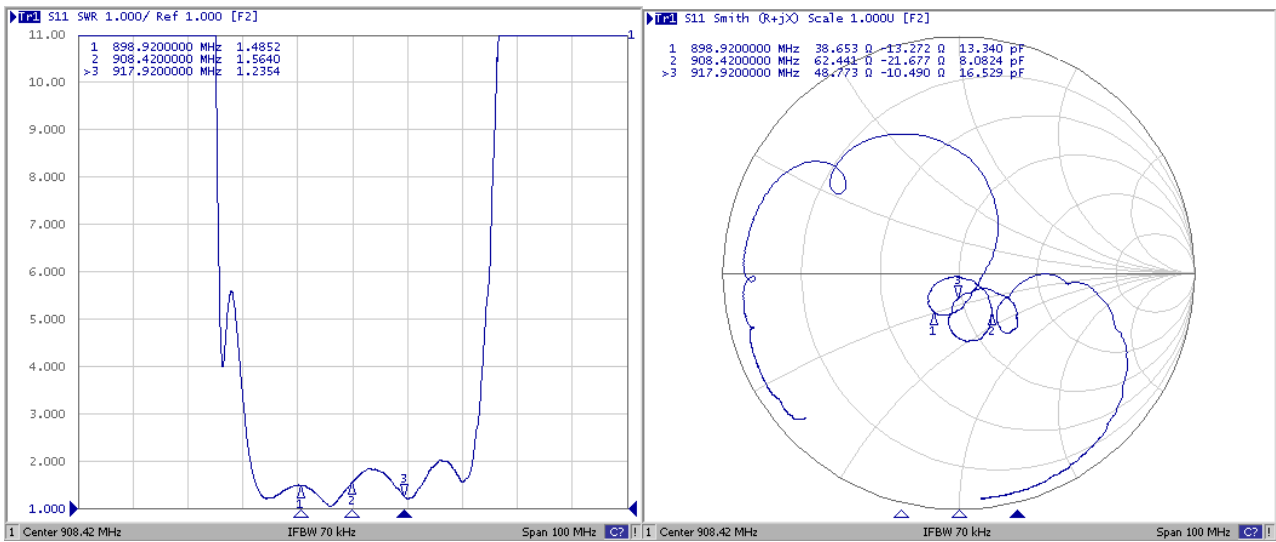


SAW Filter 908.420 MHz
Part No: MP06495

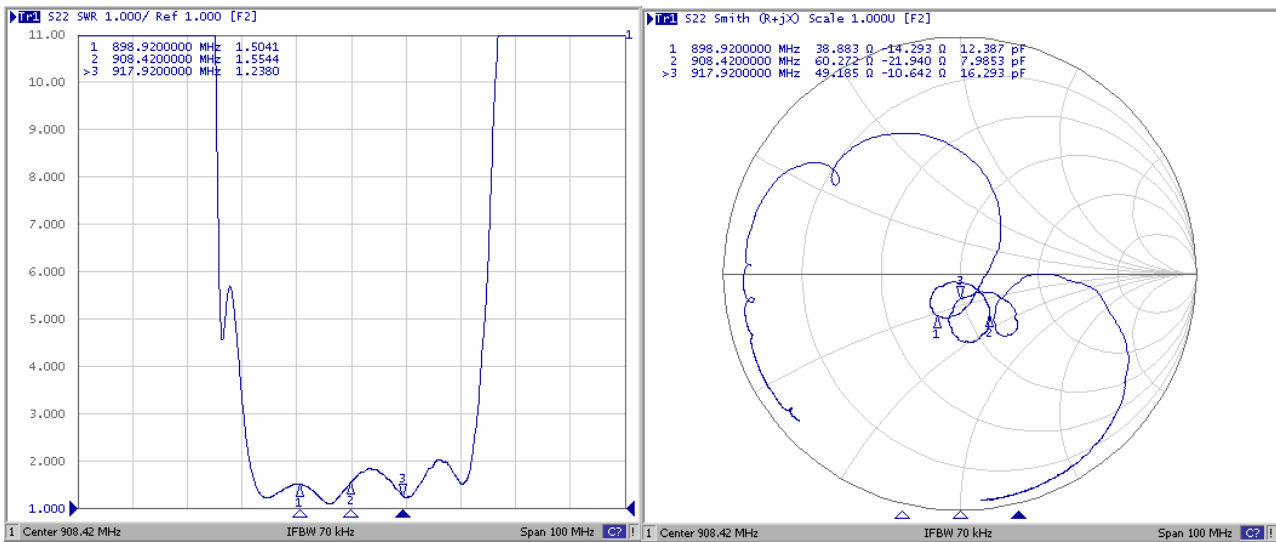
Model: TA1733A
Rev No: 1

3. Reflections Functions

S11 VSWR



S22 VSWR

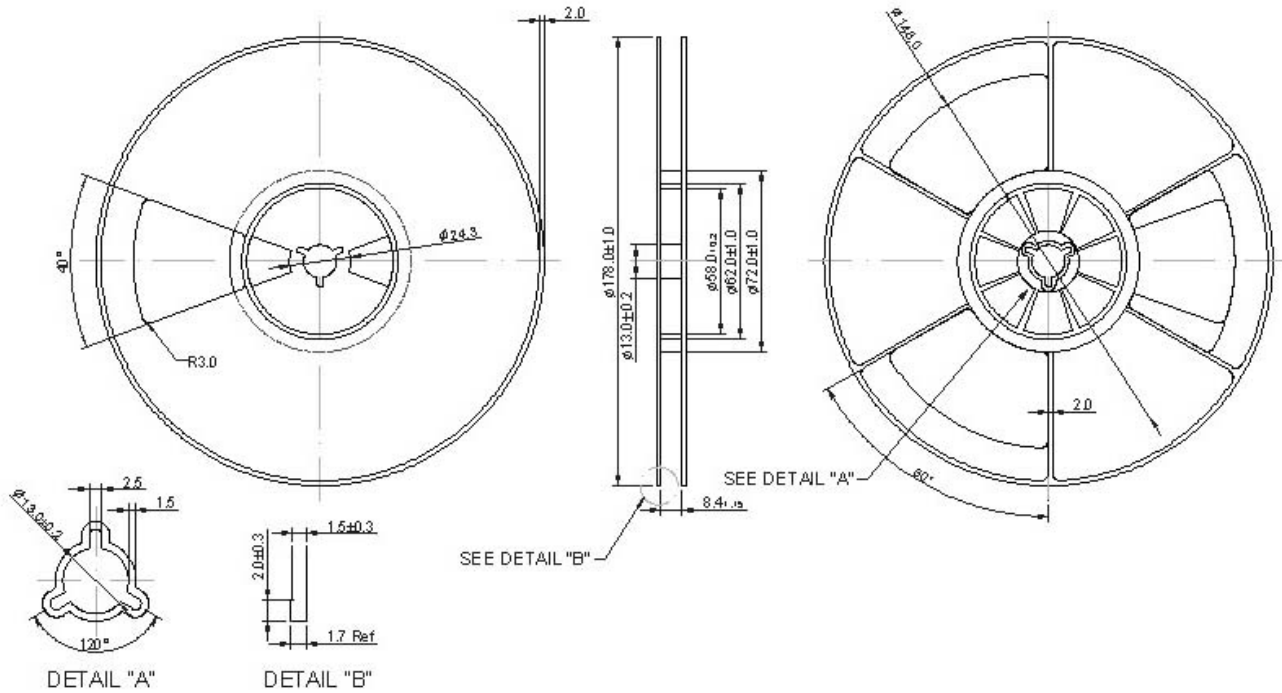


SAW Filter 908.420 MHz
Part No: MP06495

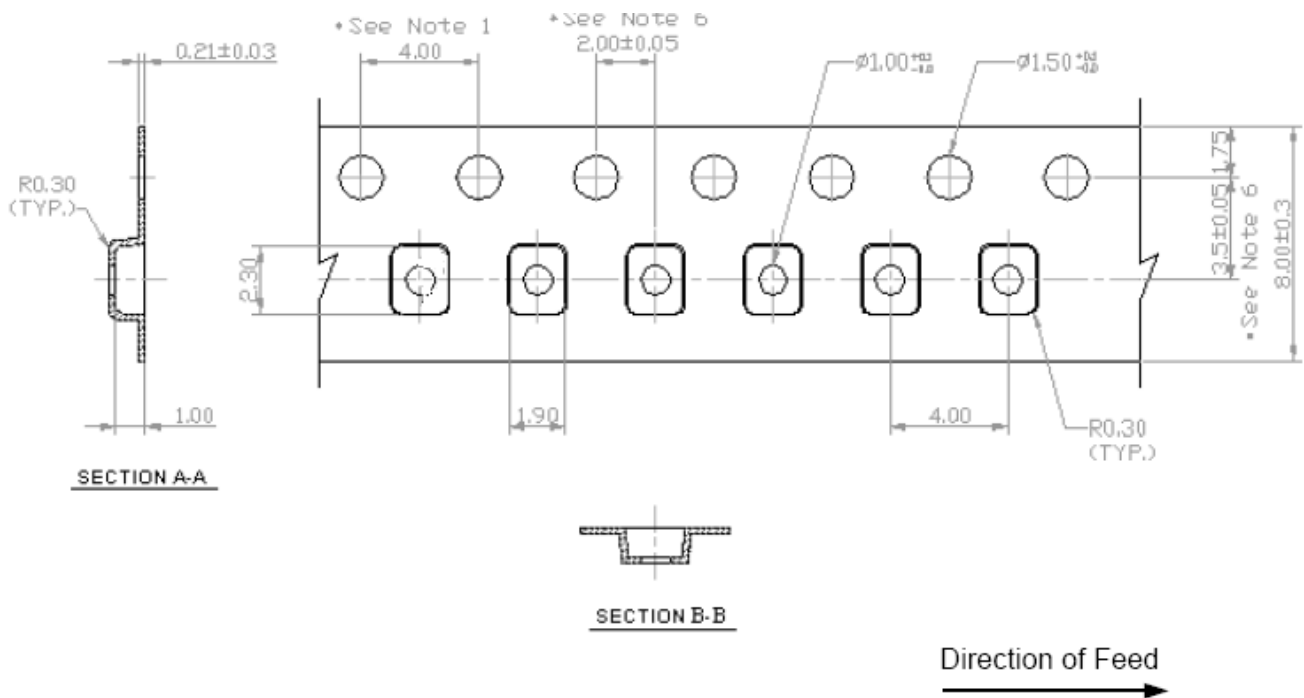
Model: TA1733A
Rev No: 1

G. PACKING:

1. Reel Dimension



2. Tape Dimension



SAW Filter 908.420 MHz
Part No: MP06495

Model: TA1733A
Rev No: 1

H. RECOMMENDED REFLOW PROFILE:

