

SAW Filter 159.16250MHz
Part No: MP08746

Model: TA0395C
Rev No: 1

A. MAXIMUM RATING:

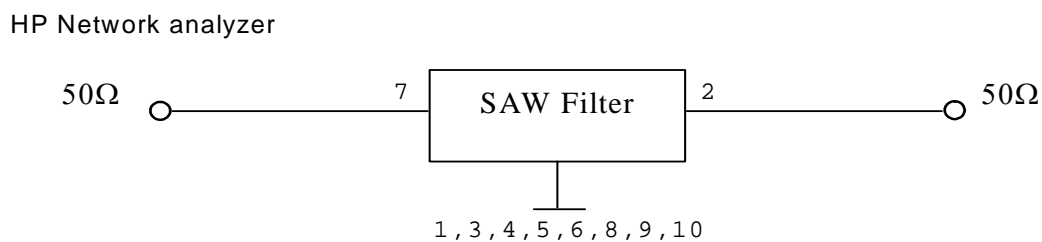
Electrostatic Sensitive Device (ESD)

1. Input Power Level: 20dBm
2. DC voltage: 5V
3. Operating Temperature: -40°C to +105°C
4. Storage Temperature: -40°C to +105°C

B. ELECTRICAL CHARACTERISTICS:

Item	Unit	Min.	Typ.	Max.
Center Frequency Fc	MHz	-	159.1625	-
Insertion Loss 156.3 ~ 162.025MHz IL	dB	-	2.3	3.8
Attenuation (Reference from 0dB)				
Fc-50 ~ Fc-30MHz	dB	42	57	-
Fc-30 ~ Fc-15MHz	dB	36	55	-
Fc+30 ~ Fc+50MHz	dB	42	55	-
Source impedance Z _S	Ω	-	50	-
Load impedance Z _L	Ω	-	50	-

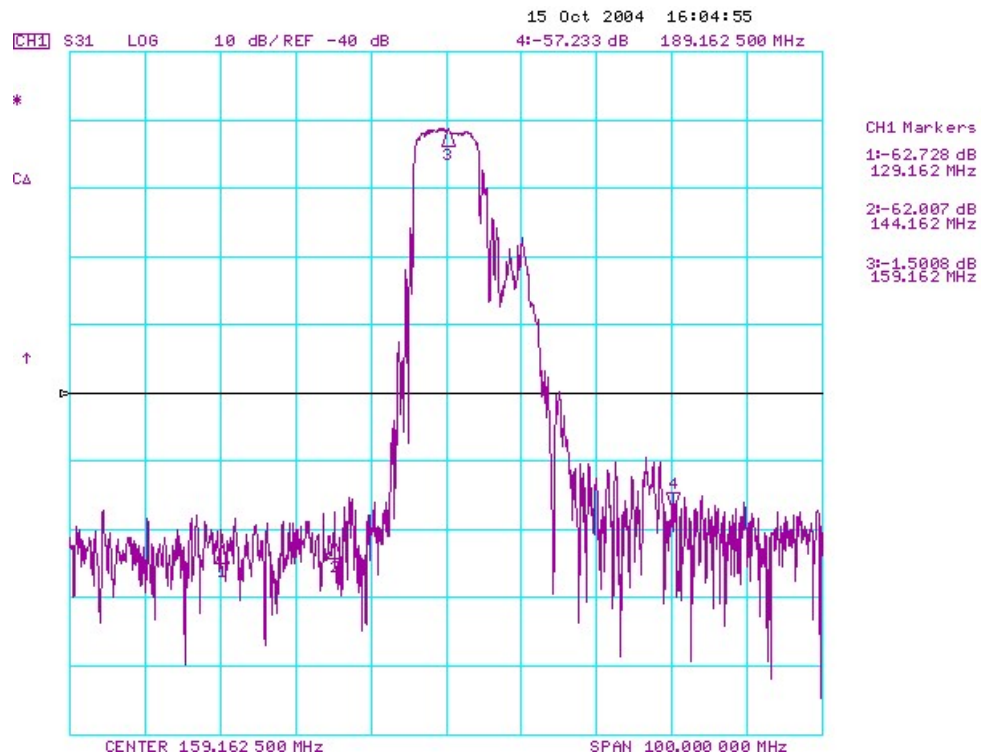
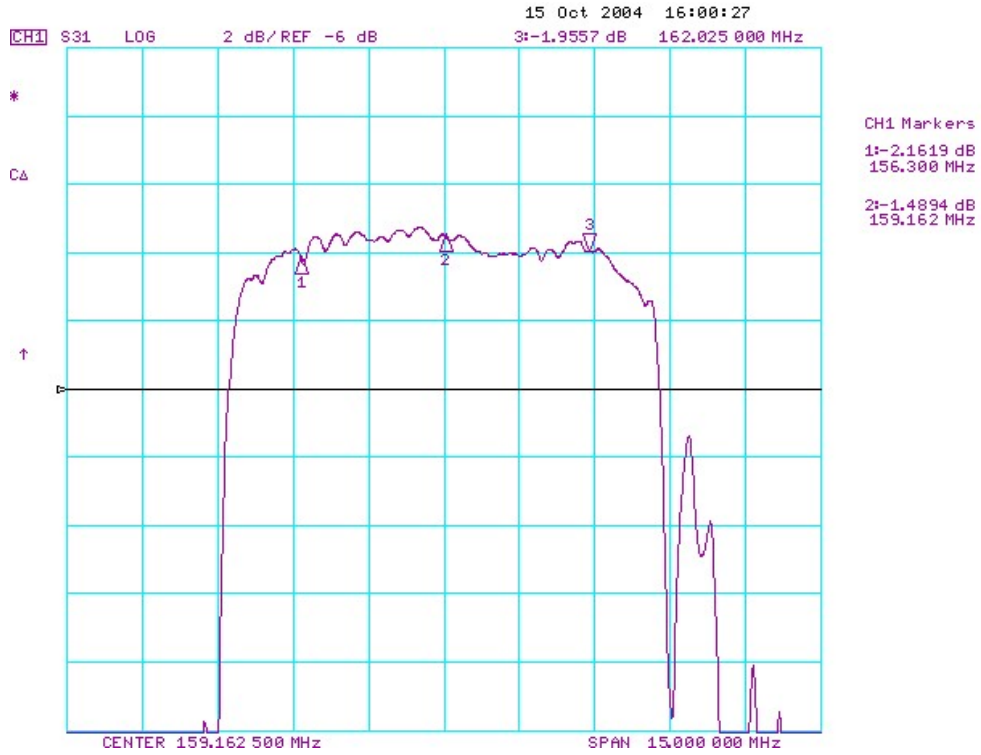
C. MEASUREMENT CIRCUIT:



SAW Filter 159.16250MHz
Part No: MP08746

Model: TA0395C
Rev No: 1

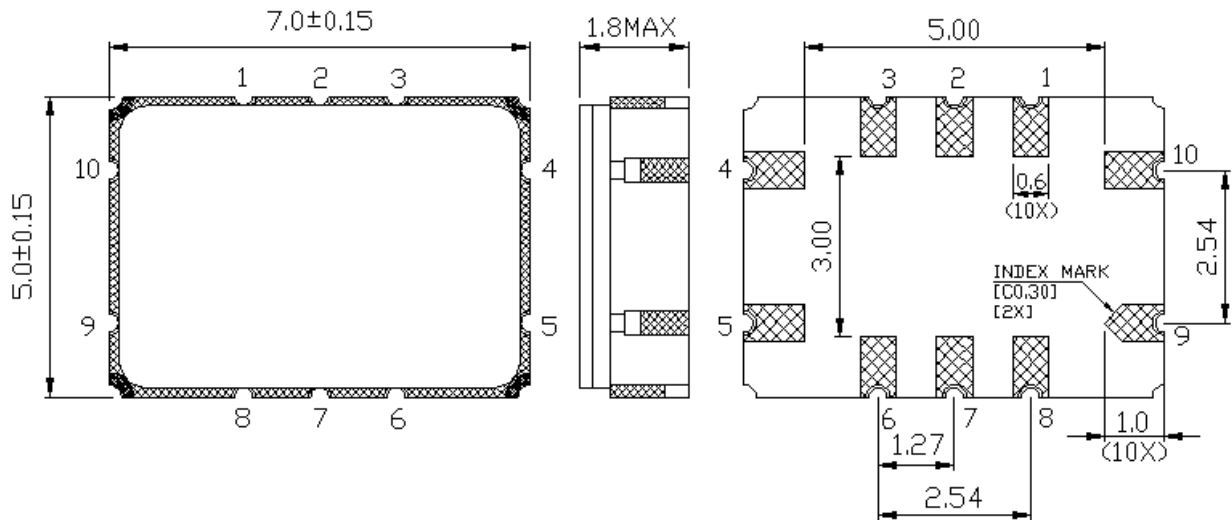
D. FREQUENCY CHARACTERISTICS:



SAW Filter 159.16250MHz
Part No: MP08746

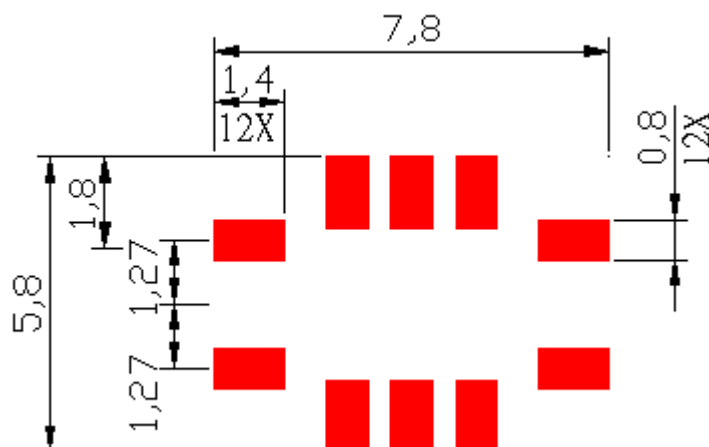
Model: TA0395C
Rev No: 1

E. OUTLINE DRAWING:



7: Input
 2: Output
 1, 3, 4, 5, 6, 8, 9, 10: Ground
 Unit: mm

F. PCB FOOTPRINT:

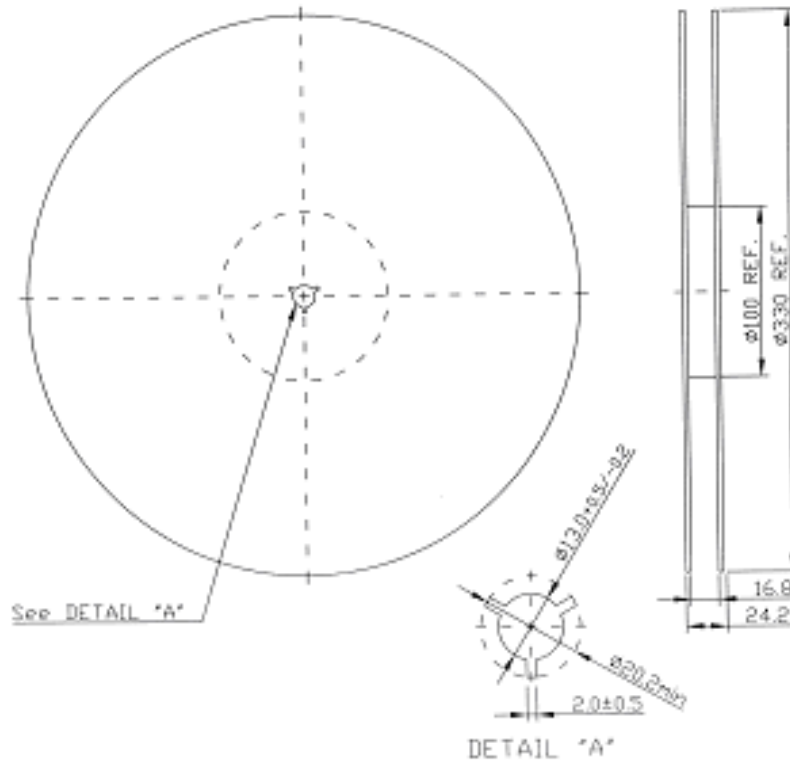


SAW Filter 159.16250MHz
Part No: MP08746

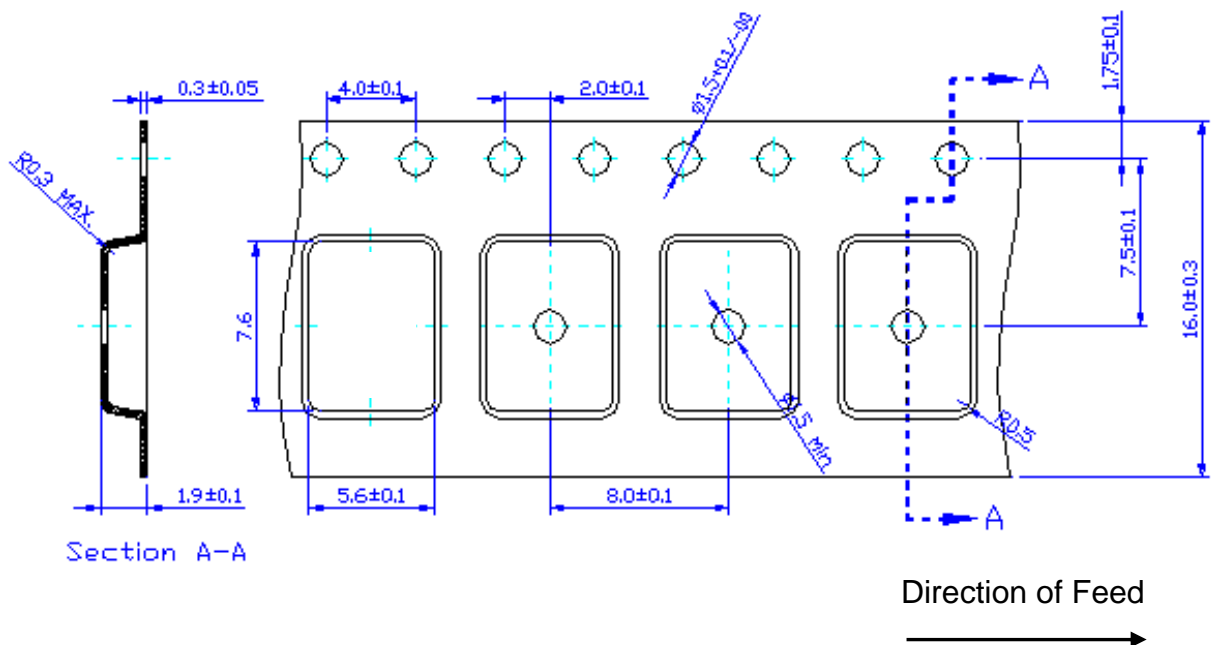
Model: TA0395C
Rev No: 1

G. PACKING:

1. Reel Dimension



2. Tape Dimension



SAW Filter 159.16250MHz
Part No: MP08746

Model: TA0395C
Rev No: 1

H. RECOMMENDED REFLOW PROFILE:

1. Preheating shall be fixed at 150 ~ 180°C for 60 ~ 90 seconds.
2. Ascending time to preheating temperature 150°C shall be 30 seconds min.
3. Heating shall be fixed at 220°C for 50 ~ 80 seconds and at 245 ~ 260°C peak (min. 10 sec).
4. Time: 2 times.

