

SAW Filter 869.2250

Model: TA1810A

Part No: MP08151

Rev No: 1

A. MAXIMUM RATING:

Electrostatic Sensitive Device (ESD)

1. Input Power Level: 20dBm
2. DC Voltage: 5V
3. Operating Temperature: -40°C to +85°C
4. Storage Temperature: -40°C to +85°C

B. ELECTRICAL CHARACTERISTICS:

1. Terminating source/load impedance (single): $Z_S = 50\Omega / Z_L = 50\Omega$
2. Test Temperature 25°C

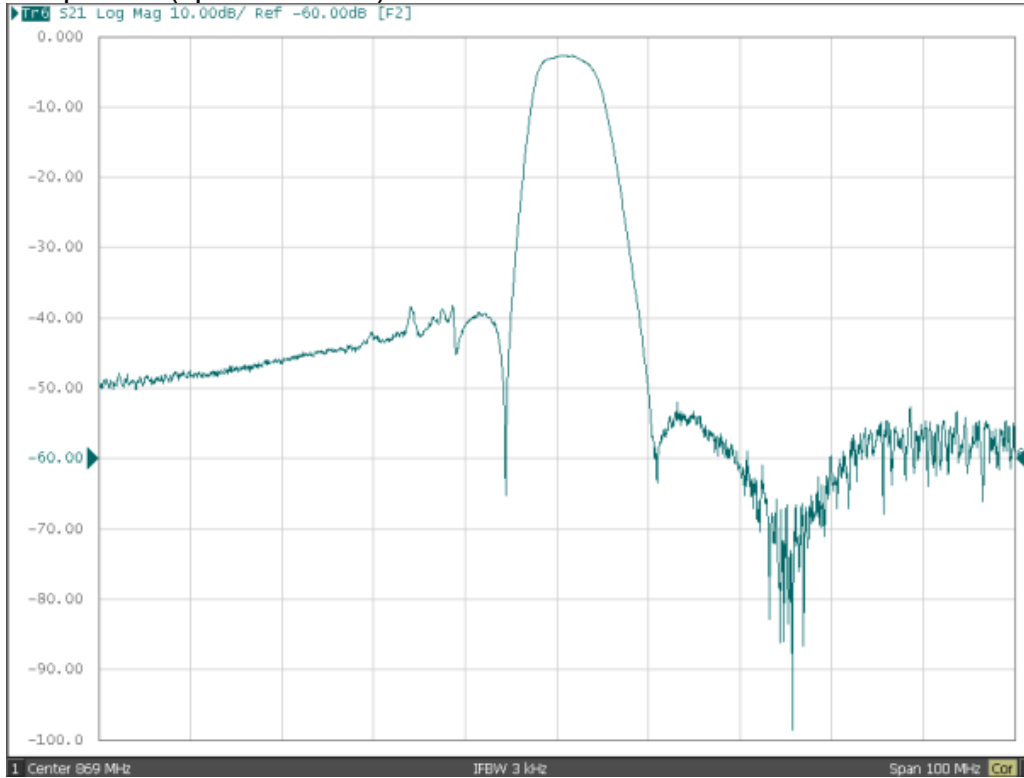
Item	Unit	Min	Typ.	Max
Center Frequency Fc	MHz	-	869.225	-
Minimum Insertion Loss @ min			3.0	3.5
Pass Band (Relative to @ min)				
Insertion Loss (868.3 ~ 870.15MHz) IL	dB		3.0	5.0
VSWR (868.3 ~ 870.15MHz)			1.3	2.0
Amplitude ripple (868.3 ~ 870.15MHz)	dB		1.0	2.0
Attenuation				
50 ~ 791MHz	dB	45	50	
791 ~ 848MHz	dB	35	40	
848 ~ 862MHz	dB	35	40	
880 ~ 883MHz	dB	35	40	
883 ~ 1000MHz	dB	45	50	

SAW Filter 869.2250
Part No: MP08151

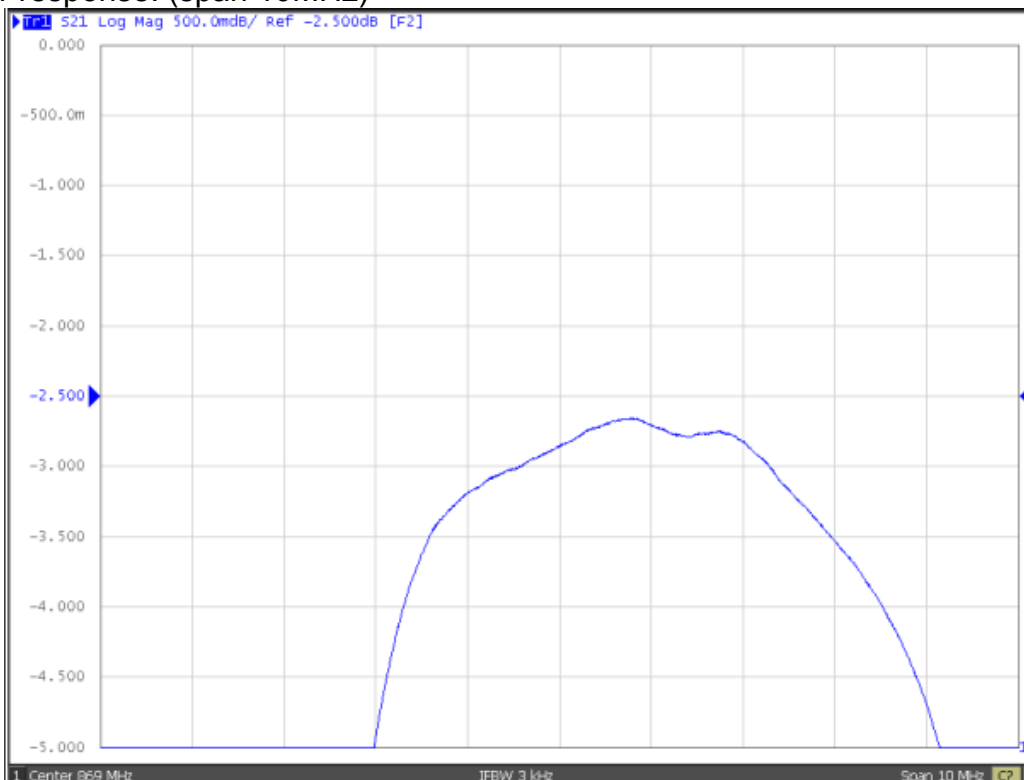
Model: TA1810A
Rev No: 1

C. FREQUENCY CHARACTERISTICS:

1. S21 response: (span 100MHz)



2. S21 response: (span 10MHz)



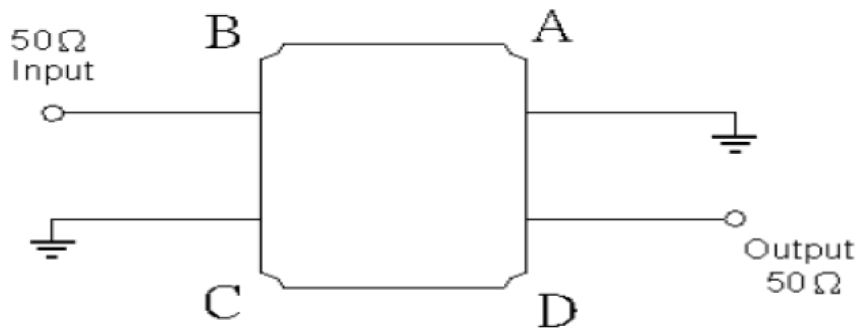
SAW Filter 869.2250

Model: TA1810A

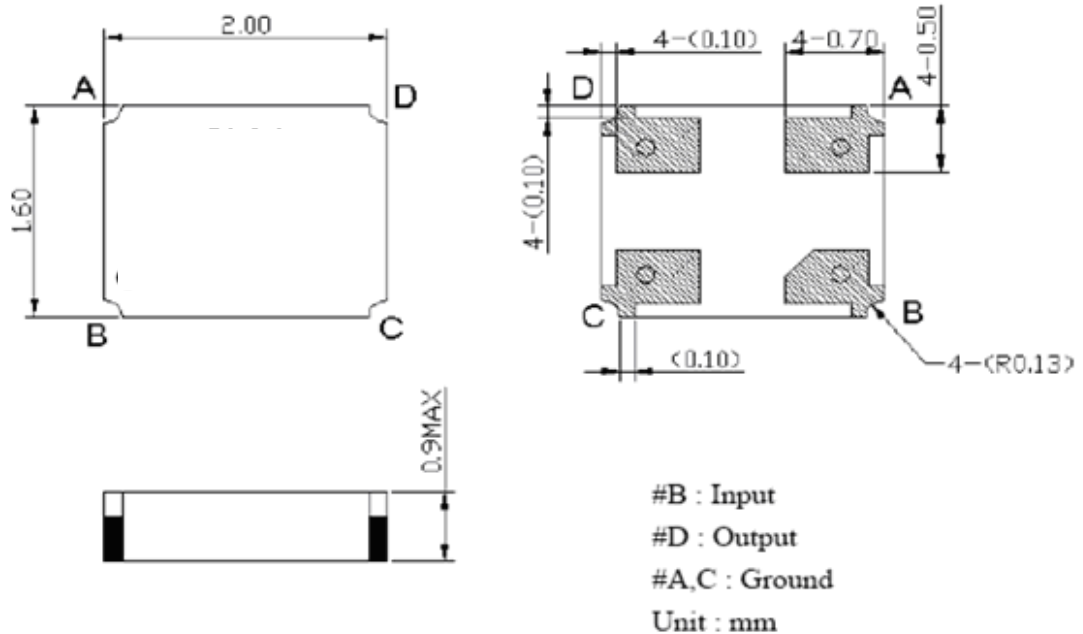
Part No: MP08151

Rev No: 1

D. TEST CIRCUIT:



E. OUTLINE DRAWING:

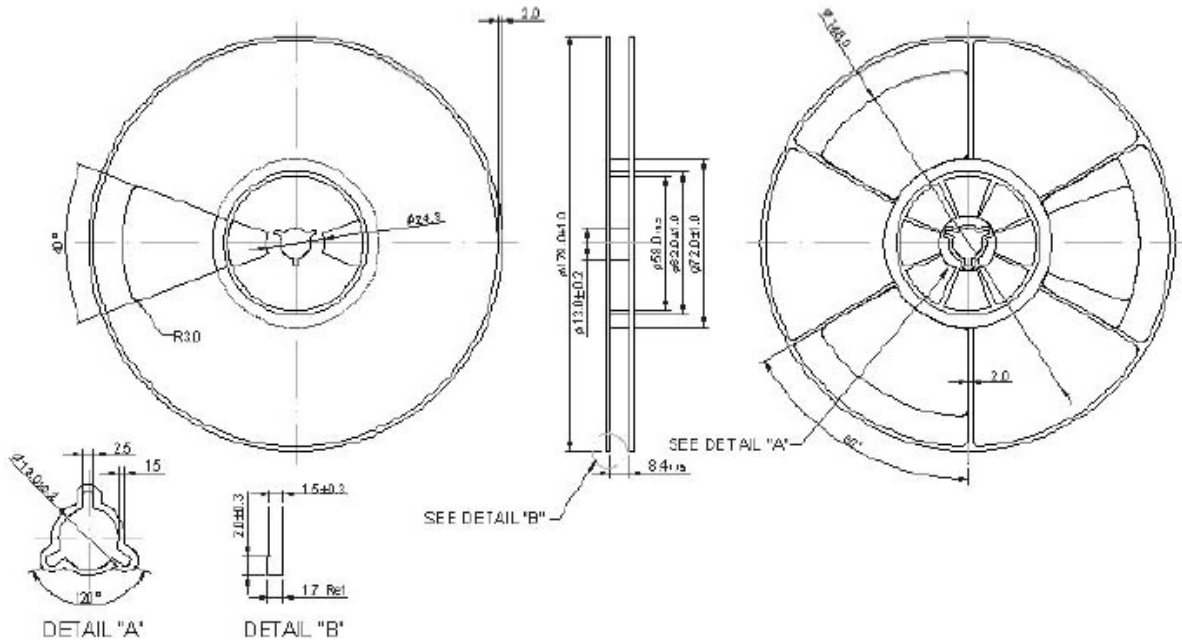


SAW Filter 869.2250
Part No: MP08151

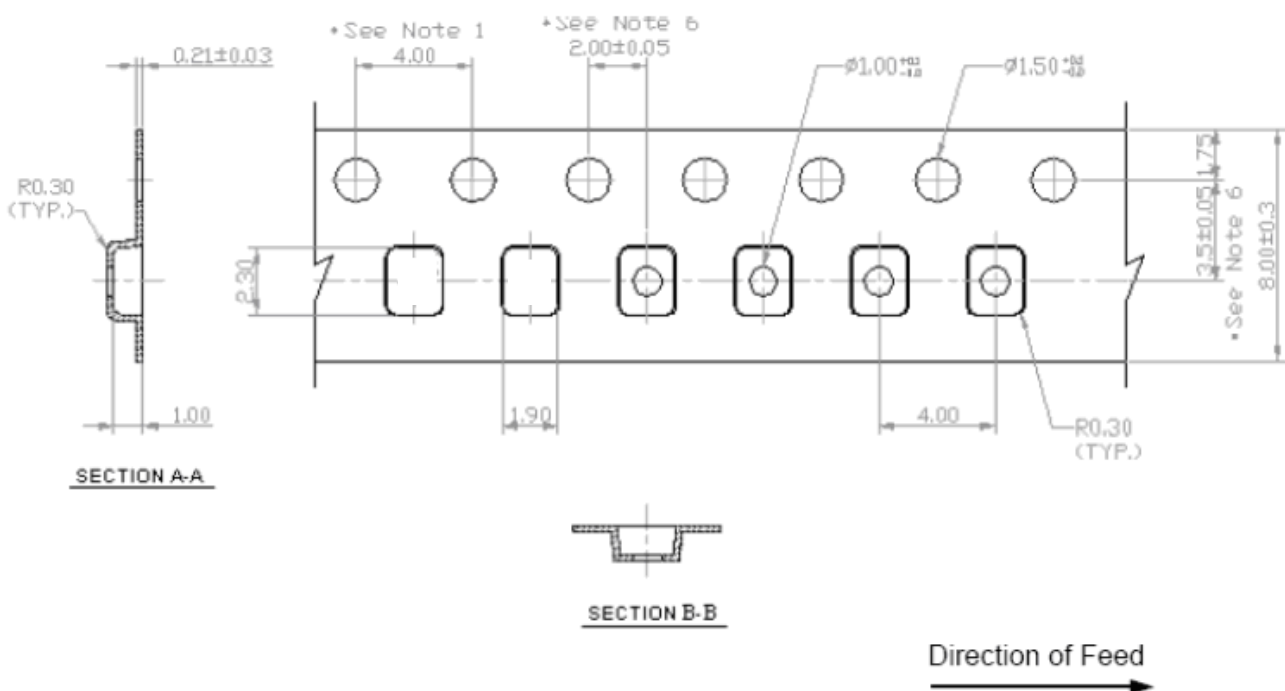
Model: TA1810A
Rev No: 1

F. PACKING:

1. Reel Dimension



2. Tape Dimension



SAW Filter 869.2250
Part No: MP08151

Model: TA1810A
Rev No: 1

G. RECOMMENDED REFLOW PROFILE:

1. Preheating shall be fixed at 150 ~ 180°C for 60 ~ 90 seconds.
2. Ascending time to preheating temperature 150°C shall be 30 seconds min.
3. Heating shall be fixed at 220°C for 50 ~ 80 seconds and at 260°C +0/-5°C peak (20 ~ 40 sec).
4. Time: 2 times.

