

SAW Filter 881.50
Part No: MP08152

Model: TA1395A
Rev No: 1

A. MAXIMUM RATING:

Electrostatic Sensitive Device (ESD)

1. Input Power Level: 10dBm
2. DC Voltage: 3V
3. Operating Temperature: -30°C to +85°C
4. Storage Temperature: -30°C to +85°C

B. ELECTRICAL CHARACTERISTICS:

1. Terminating source impedance: $Z_S = 50\Omega$
2. Terminating load impedance: $Z_L = 50\Omega$

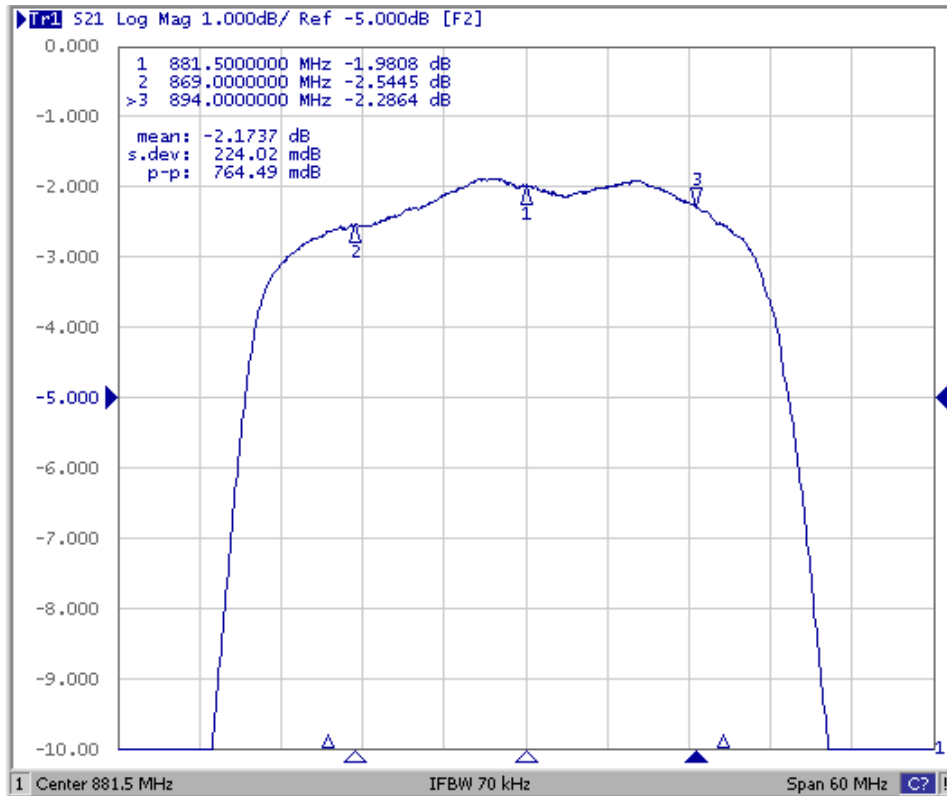
Item	Unit	Min.	Typ.	Max.	Note
Center Frequency Fc	MHz	-	881.5	-	-
Insertion Loss (869 ~ 894MHz) IL	dB	-	2.5	3.0	-
VSWR (869 ~ 894MHz)	dB	-	1.6	2.0	-
Amplitude ripple (869 ~ 894MHz)	dB	-	0.7	2.2	-
Attenuation					
D.C ~ 800MHz	dB	40	45	-	-
800 ~ 826MHz	dB	38	42	-	-
826 ~ 846MHz	dB	35	40	-	-
845 ~ 850MHz	dB	20	39	-	-
850 ~ 856MHz	dB	15	34	-	-
910 ~ 914MHz	dB	15	18	-	-
914 ~ 950MHz	dB	20	24	-	-
950 ~ 973MHz	dB	42	49	-	-
973 ~2340MHz	dB	30	35	-	-
2340 ~ 6000MHz	dB	25	30	-	-
Package size	mm	SMD 1.4 x 1.1			

SAW Filter 881.50
Part No: MP08152

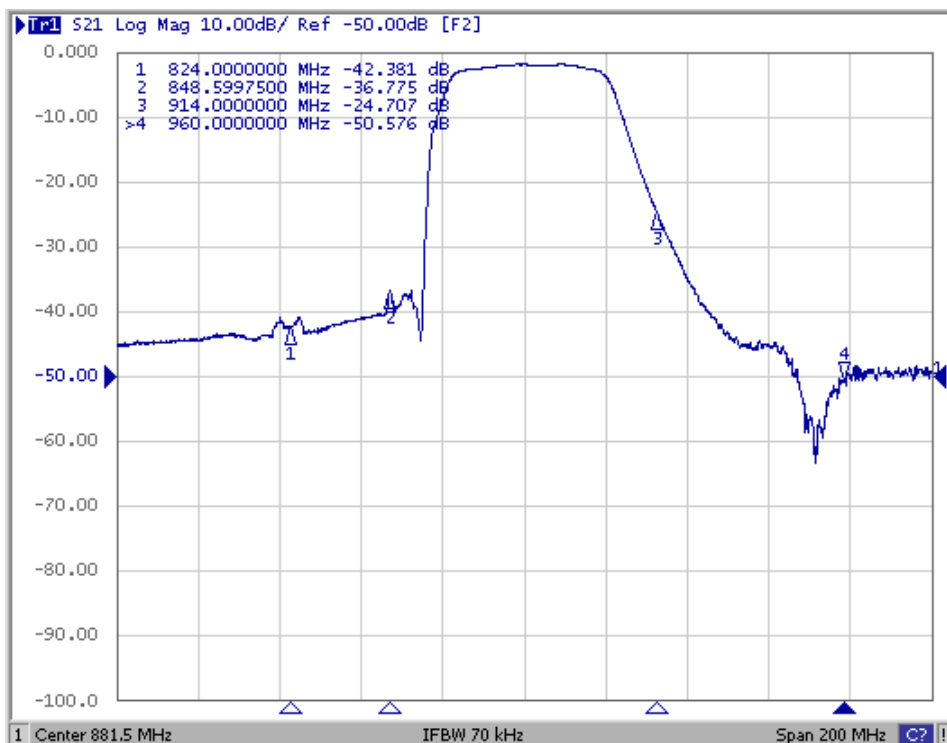
Model: TA1395A
Rev No: 1

C.FREQUENCY CHARACTERISTICS:

1. S21 Pass-band response: (span 60MHz)



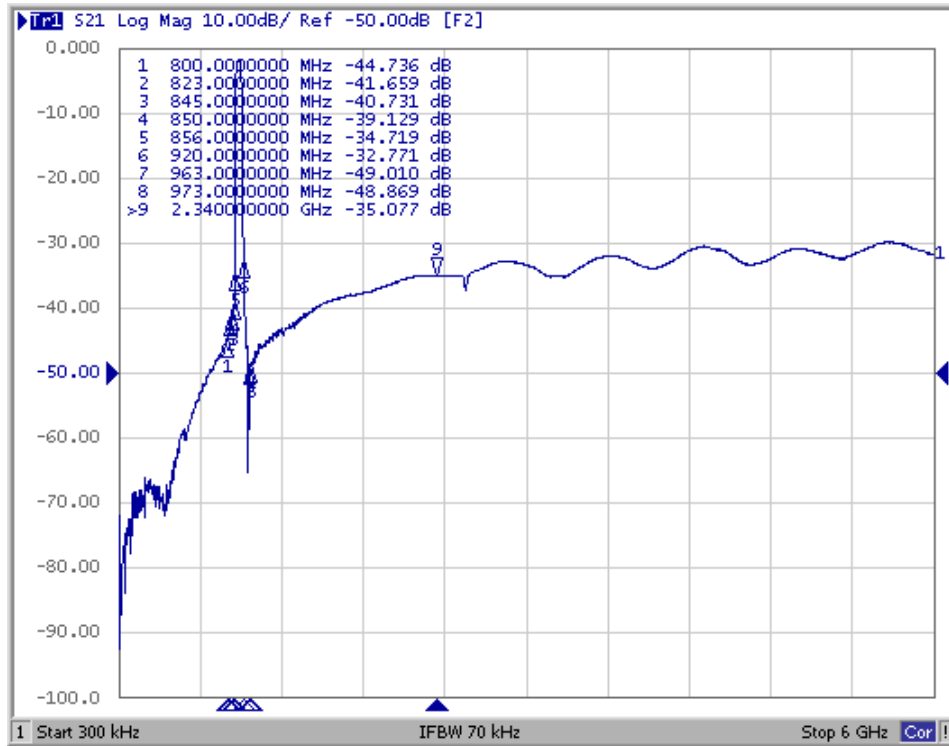
2. S21 response: (span 200MHz)



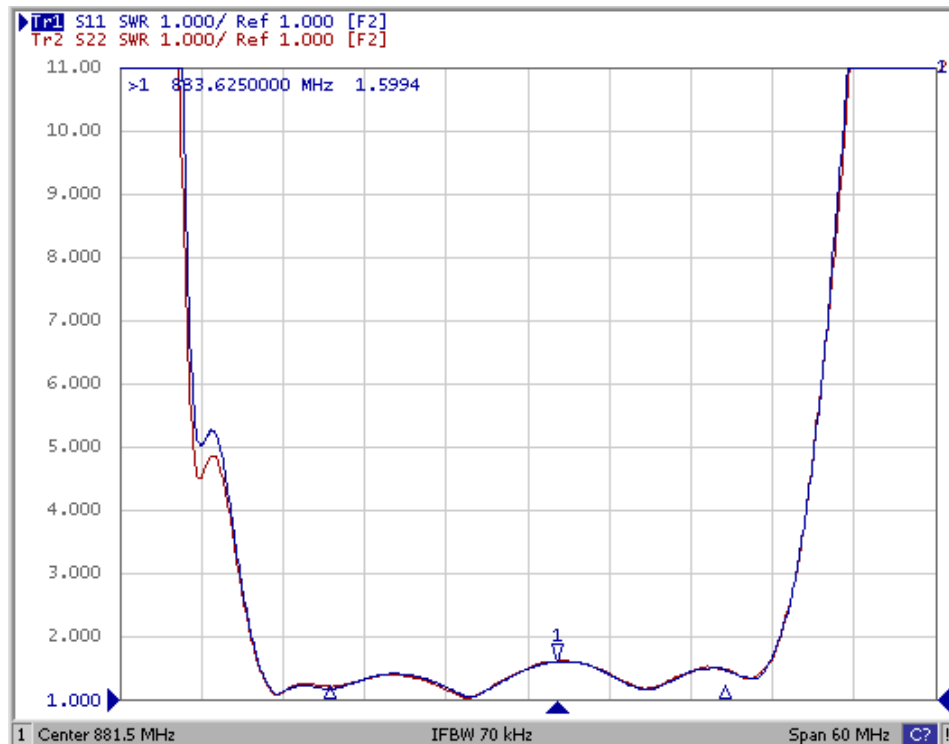
SAW Filter 881.50
Part No: MP08152

Model: TA1395A
Rev No: 1

3. S21 response: (span 6GHz)



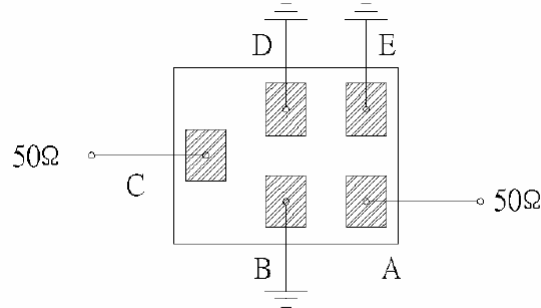
4. S11 & S22 VSWR



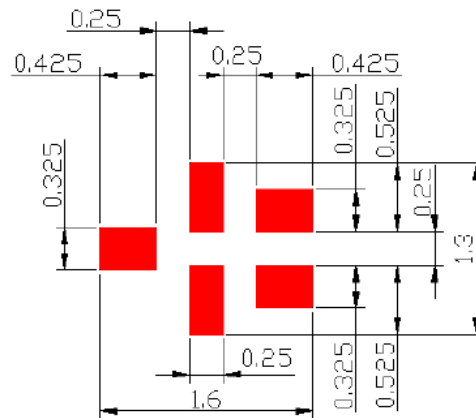
SAW Filter 881.50
Part No: MP08152

Model: TA1395A
Rev No: 1

D. MEASUREMENT CIRCUIT:

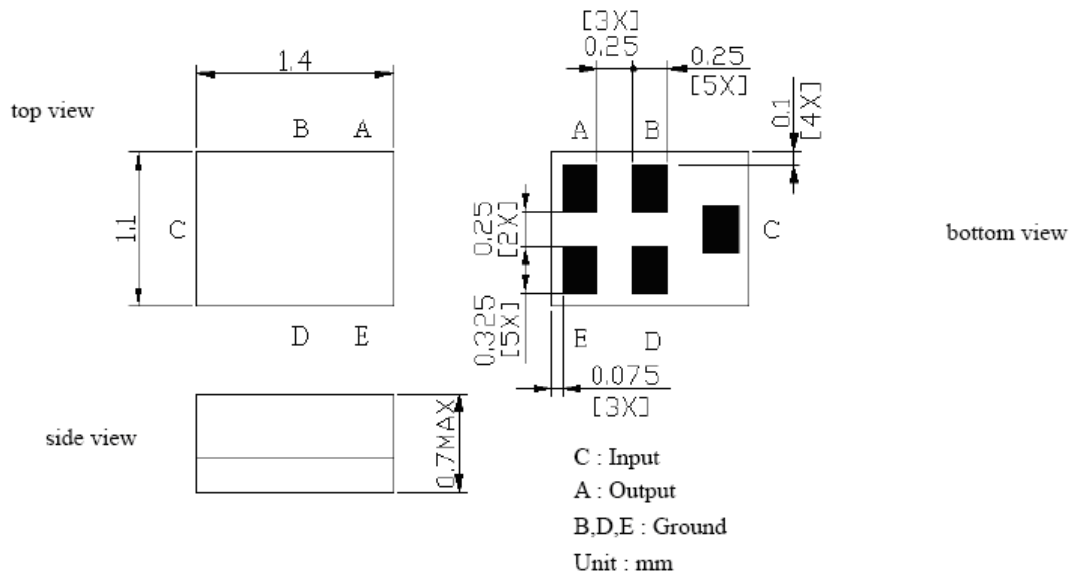


E. PCB FOOTPRINT:



■ : Land Pattern
 Unit : mm

F. OUTLINE DRAWING:

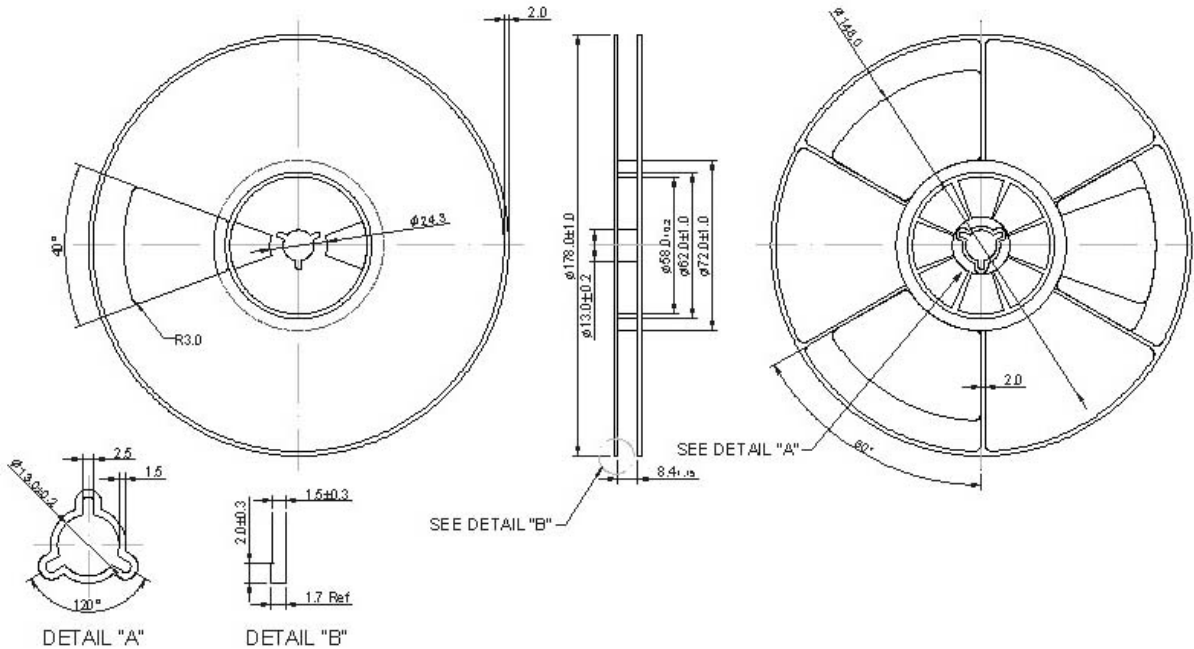


SAW Filter 881.50
Part No: MP08152

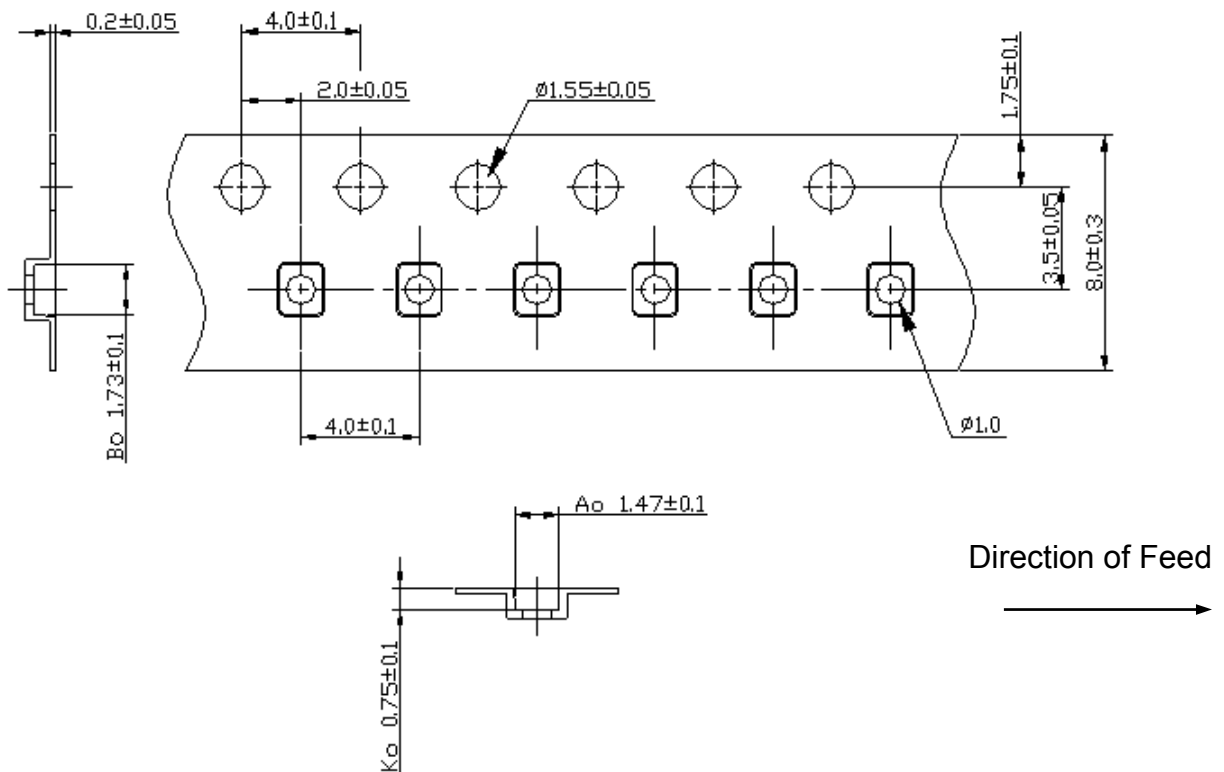
Model: TA1395A
Rev No: 1

G. PACKING:

1. Reel Dimension



2. Tape Dimension



SAW Filter 881.50
Part No: MP08152

Model: TA1395A
Rev No: 1

H. RECOMMENDED REFLOW PROFILE:

1. Preheating shall be fixed at 150 ~ 180°C for 60 ~ 90 seconds.
2. Ascending time to preheating temperature 150°C shall be 30 seconds min.
3. Heating shall be fixed at 220°C for 50 ~ 80 seconds and at 245 ~ 260°C peak (min. 10 sec).
4. Time: 2 times.

