

SAW Filter 908.420
Part No: MP08155

Model: TA1596A
Rev No: 1

A. MAXIMUM RATING:

Electrostatic Sensitive Device (ESD)

1. Input Power Level: 10dBm
2. DC Voltage: 5V
3. Operating Temperature: -30°C to +80°C
4. Storage Temperature: -40°C to +95°C

B. ELECTRICAL CHARACTERISTICS:

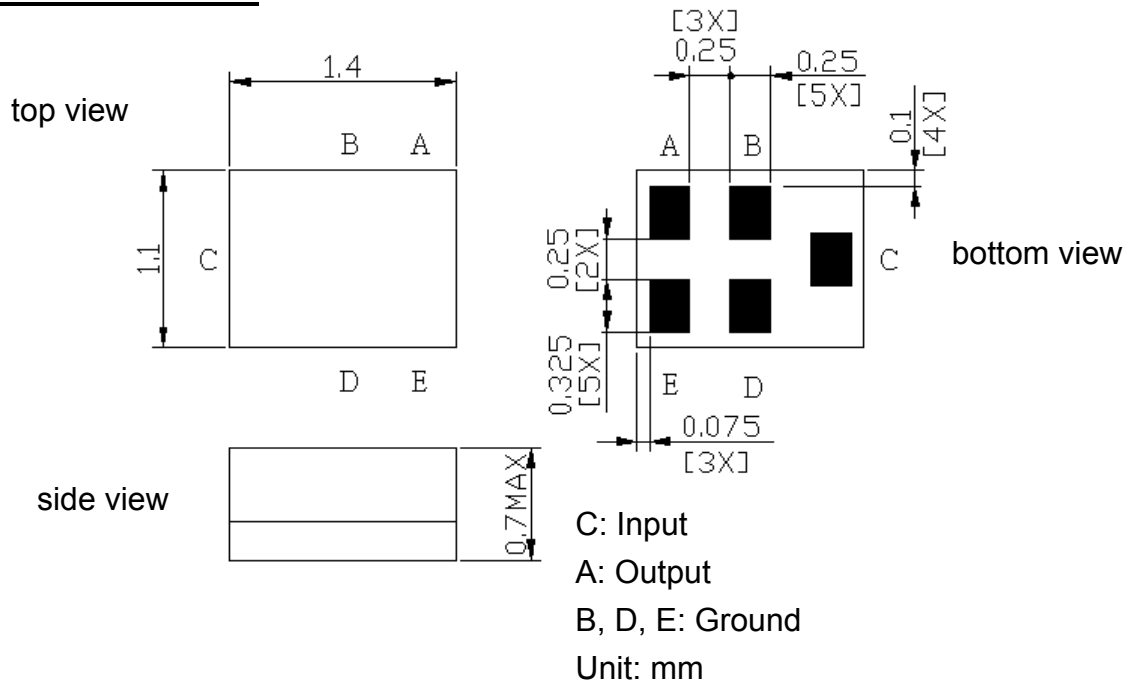
1. Terminating source impedance: $Z_S = 50\Omega$
2. Terminating load impedance: $Z_L = 50\Omega$

Item	Unit	Min.	Typ.	Max.	Note
Center Frequency F_c	MHz	-	908.42	-	-
Insertion Loss (898.92 ~ 917.92MHz) IL	dB	-	1.6	4	-
Amplitude ripple (898.92 ~ 917.92MHz)	dB	-	0.5	2	-
VSWR (898.92 ~ 917.92MHz)		-	1.5	2.5	-
Attenuation (reference level from 0dB)					
DC ~ 827.9MHz	dB	35	45	-	-
853.92 ~ 872.92MHz	dB	20	39	-	-
943.92 ~ 962.92MHz	dB	20	32	-	-
988.92 ~ 1200MHz	dB	35	43	-	-
1200 ~ 2000MHz	dB	20	38	-	-
Temperature Coefficient of Frequency	ppm/°C	-	-36	-	-

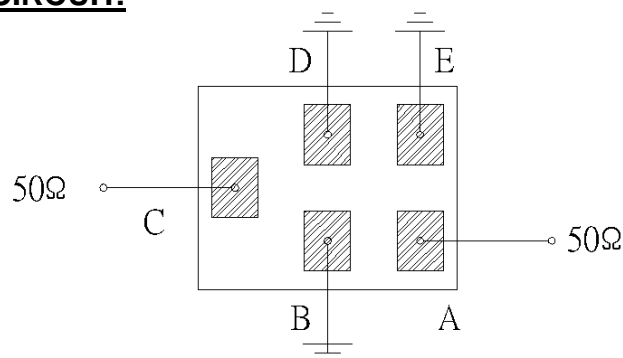
SAW Filter 908.420
Part No: MP08155

Model: TA1596A
Rev No: 1

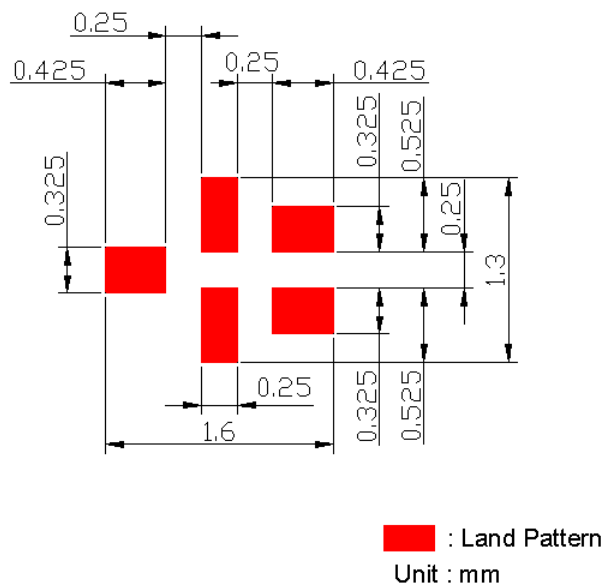
C. OUTLINE DRAWING:



D. MEASUREMENT CIRCUIT:



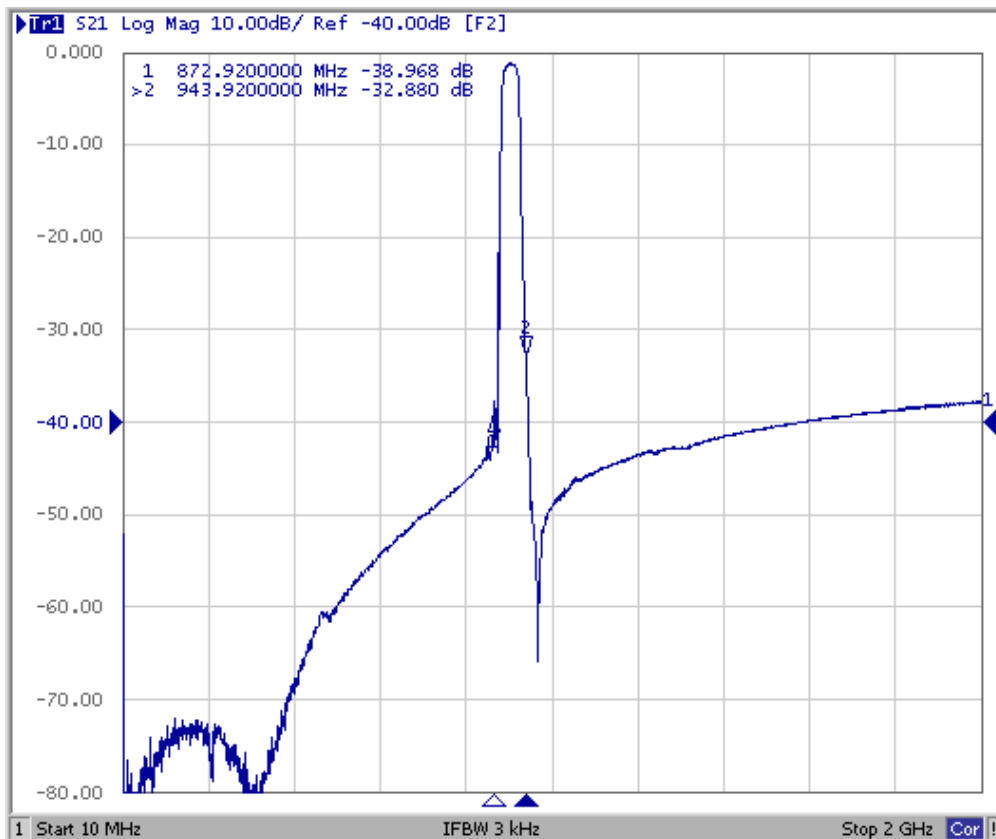
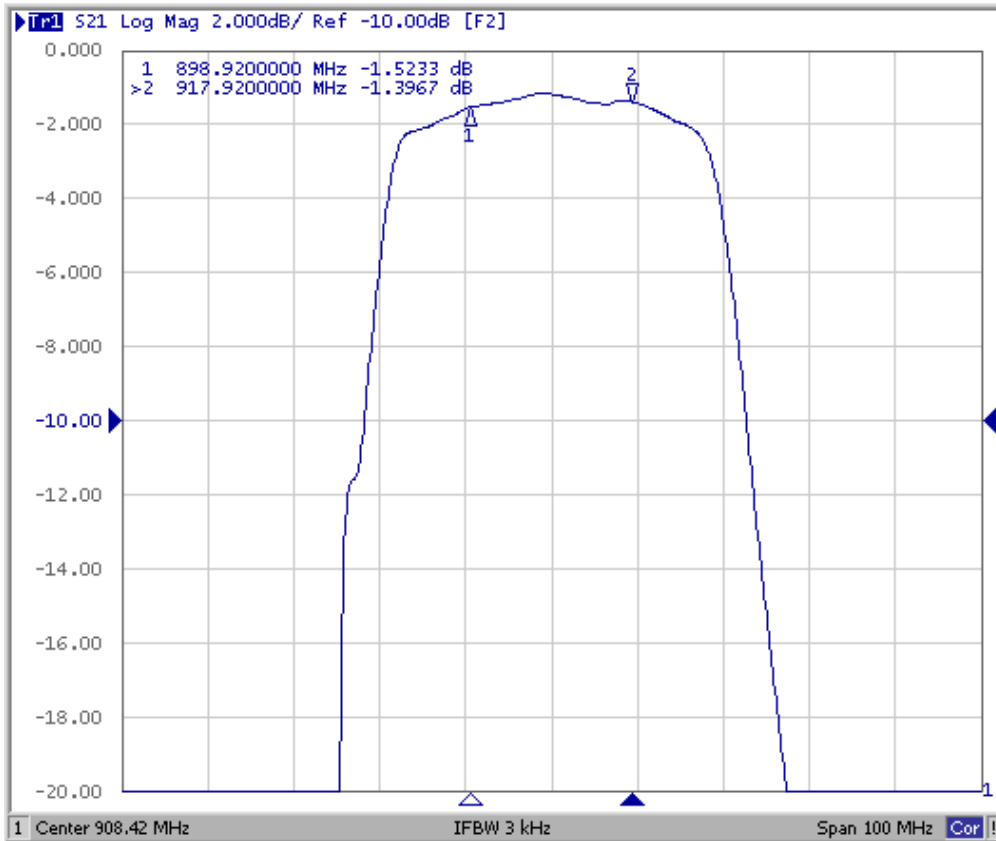
E. PCB FOOTPRINT:



SAW Filter 908.420
Part No: MP08155

Model: TA1596A
Rev No: 1

F. FREQUENCY CHARACTERISTICS:

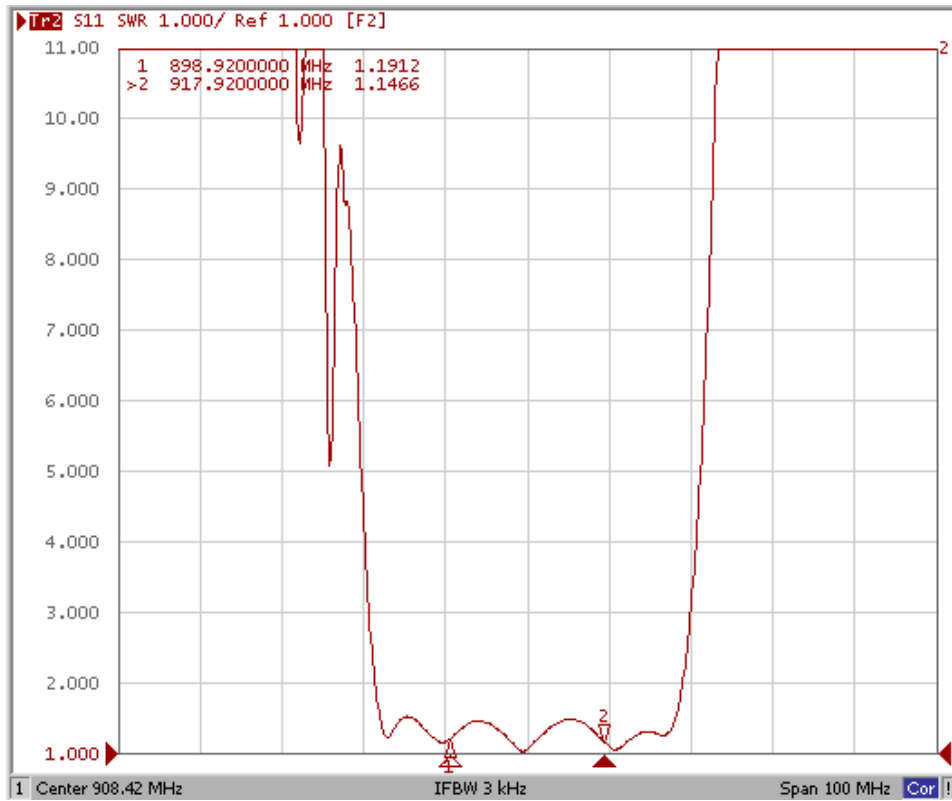


SAW Filter 908.420
Part No: MP08155

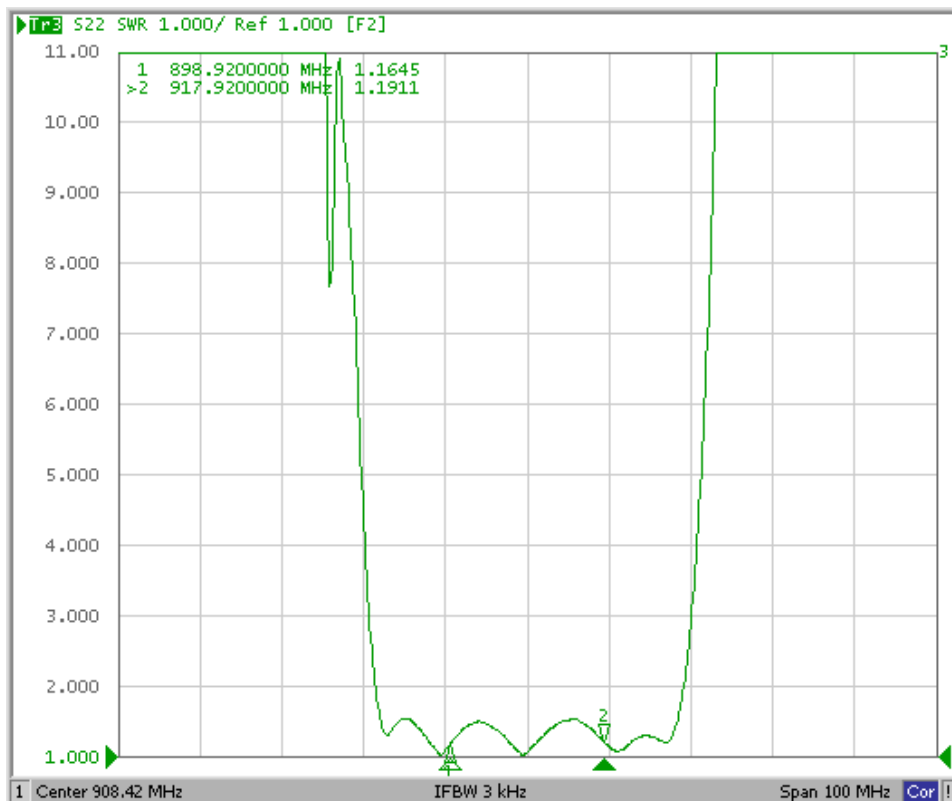
Model: TA1596A
Rev No: 1

Reflection Functions

S11



S22

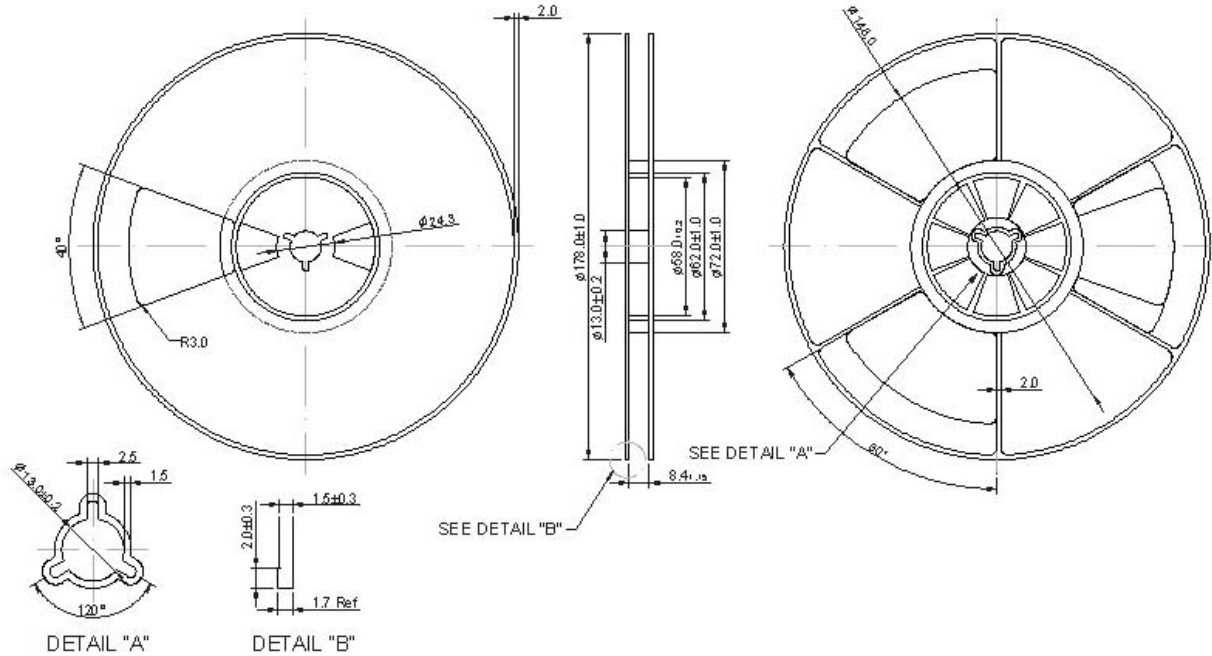


SAW Filter 908.420
Part No: MP08155

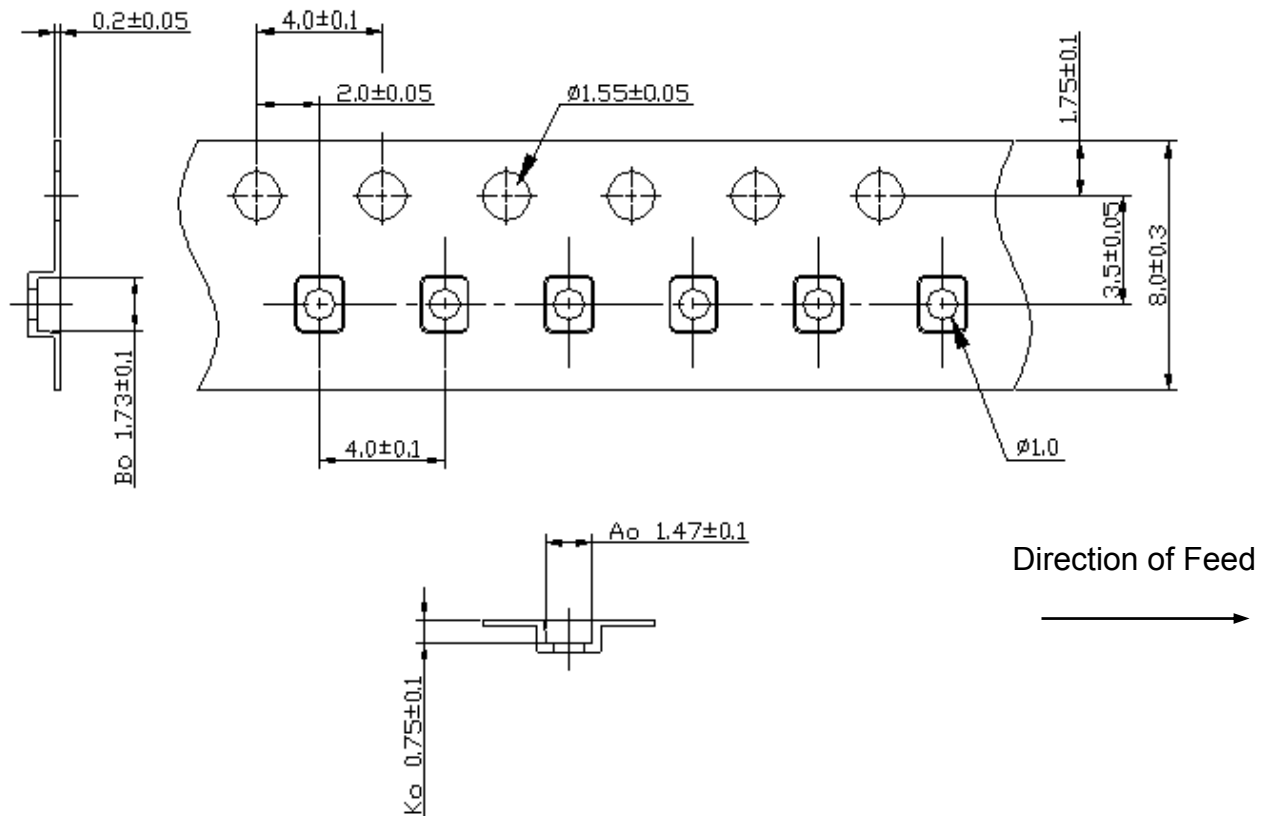
Model: TA1596A
Rev No: 1

G. PACKING:

1. Reel Dimension



2. Tape Dimension



SAW Filter 908.420
Part No: MP08155

Model: TA1596A
Rev No: 1

H. RECOMMENDED REFLOW PROFILE:

1. Preheating shall be fixed at 150 ~ 180°C for 60 ~ 90 seconds.
2. Ascending time to preheating temperature 150°C shall be 30 seconds min.
3. Heating shall be fixed at 220°C for 50 ~ 80 seconds and at 245 ~ 260°C peak (min. 10 sec).
4. Time: 2 times.

