

SAW Filter 911.50MHz
Part No: MP08156

Model: TA1918A
Rev No: 1

A. MAXIMUM RATING:

Electrostatic Sensitive Device (ESD)

1. Input Power Level: 15dBm
2. DC Voltage: 3V
3. Operating Temperature: -30°C to +80°C
4. Storage Temperature: -30°C to +85°C

B. ELECTRICAL CHARACTERISTICS:

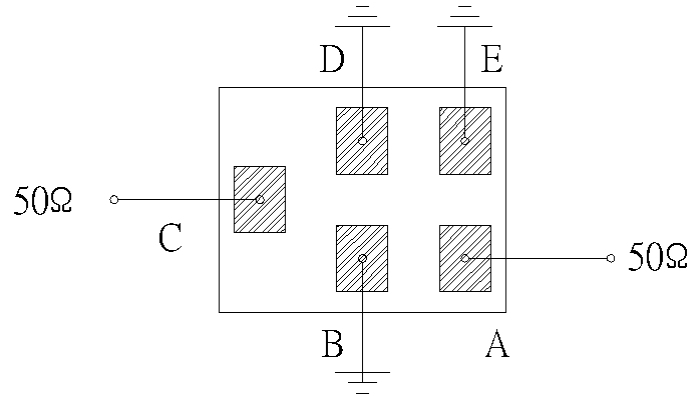
1. Terminating source impedance: $Z_S = 50\Omega$
2. Terminating load impedance: $Z_L = 50\Omega$

| Item | Unit | Min. | Typ. | Max. |
|--|-------|------|-------|------|
| Center Frequency Fc | MHz | - | 911.5 | - |
| Insertion Loss (898 ~ 925MHz) IL | dB | - | 2.0 | 3.0 |
| Amplitude ripple (898 ~ 925MHz) | dB | - | 0.9 | 2.0 |
| VSWR (898 ~ 925MHz) | - | - | 1.5 | 2.2 |
| Attenuation (Reference level from 0dB) | | | | |
| 720 ~ 800MHz | dB | 38 | 46 | - |
| 843 ~ 870MHz | dB | 32 | 41 | - |
| 940 ~ 2000MHz | dB | 8 | 22 | - |
| 2000 ~ 3000MHz | dB | 27 | 34 | - |
| Temperature coefficient of frequency | ppm/k | - | -36 | - |

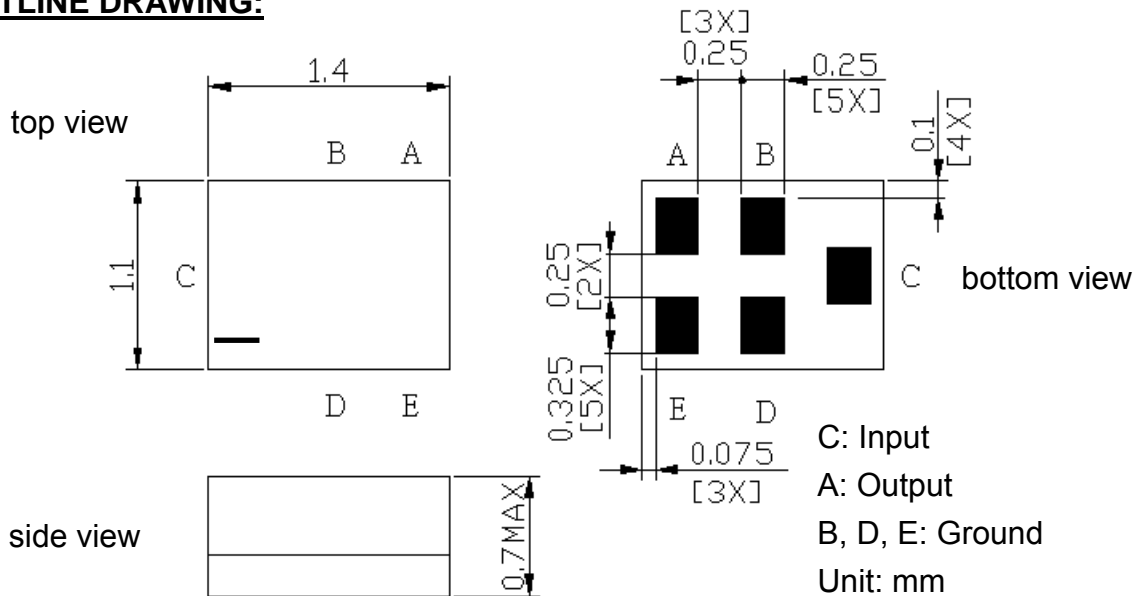
SAW Filter 911.50MHz
Part No: MP08156

Model: TA1918A
Rev No: 1

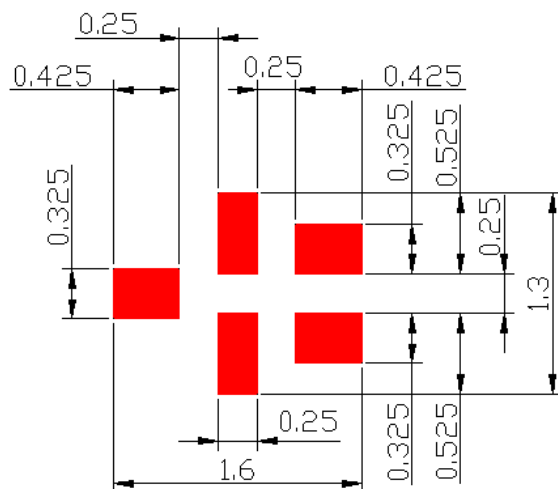
C. MEASUREMENT CIRCUIT:



D. OUTLINE DRAWING:



E. PCB FOOTPRINT:

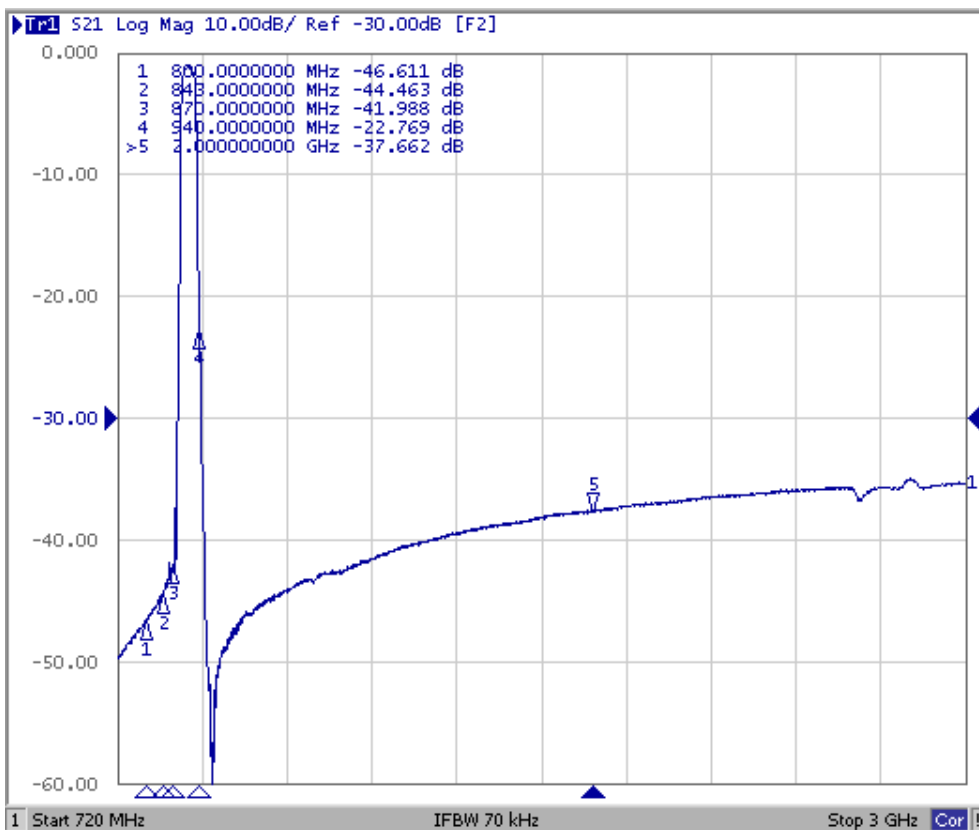
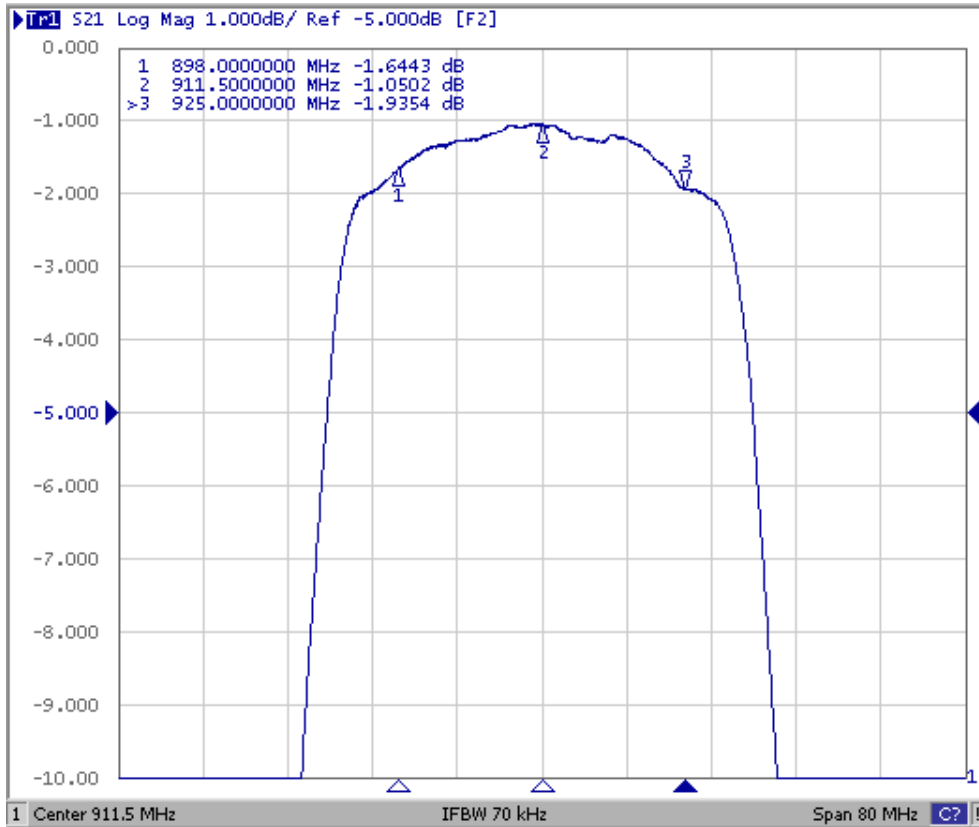


: Land Pattern
 Unit : mm

SAW Filter 911.50MHz
Part No: MP08156

Model: TA1918A
Rev No: 1

F. FREQUENCY CHARACTERISTICS:

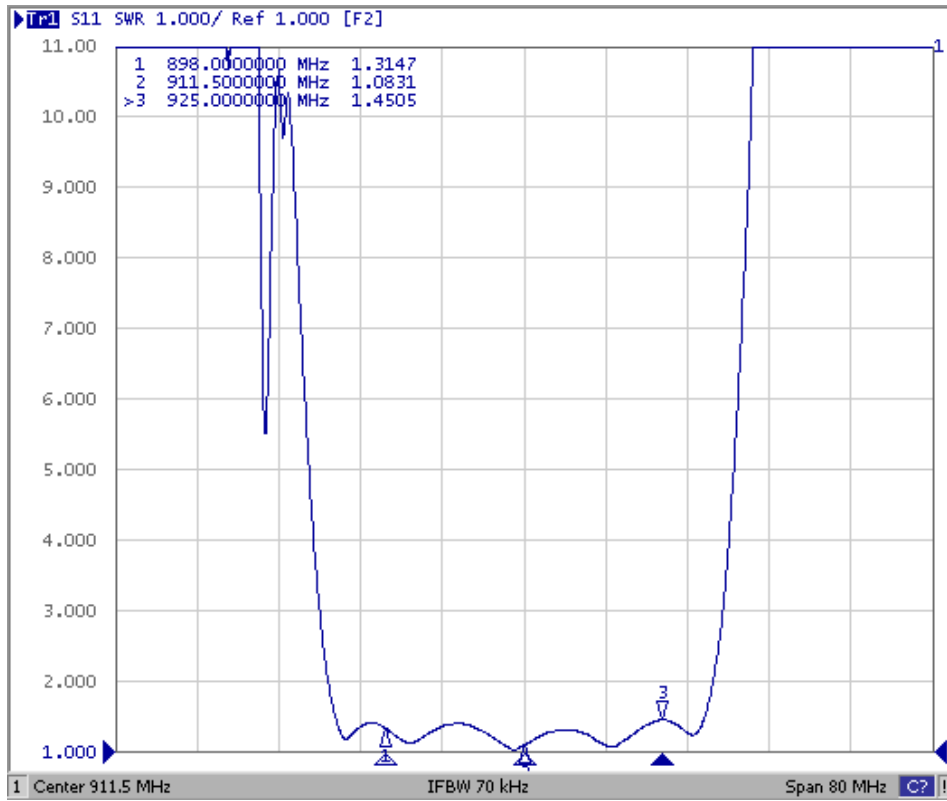


SAW Filter 911.50MHz
Part No: MP08156

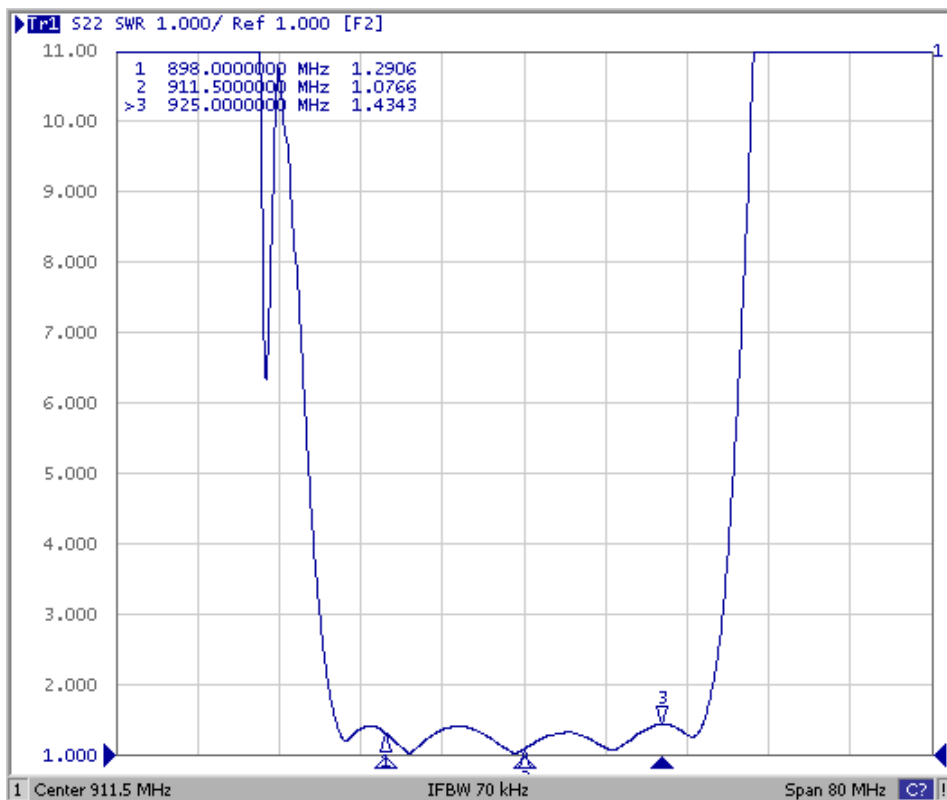
Model: TA1918A
Rev No: 1

Reflection Functions:

S11



S22

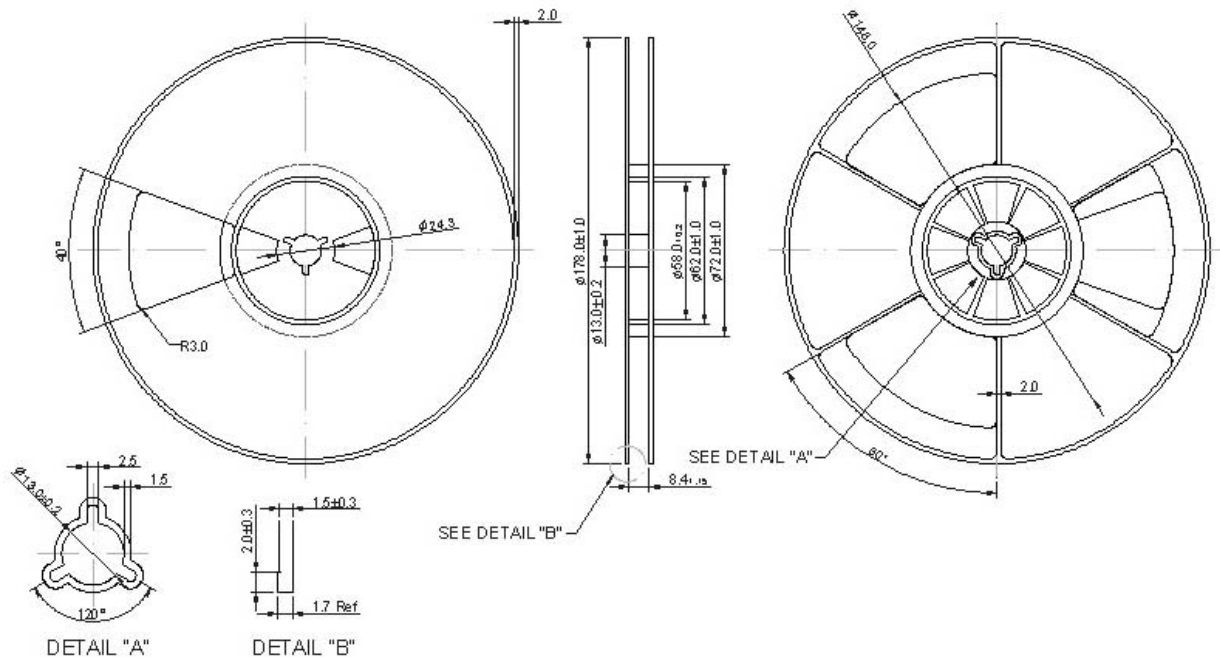


SAW Filter 911.50MHz
Part No: MP08156

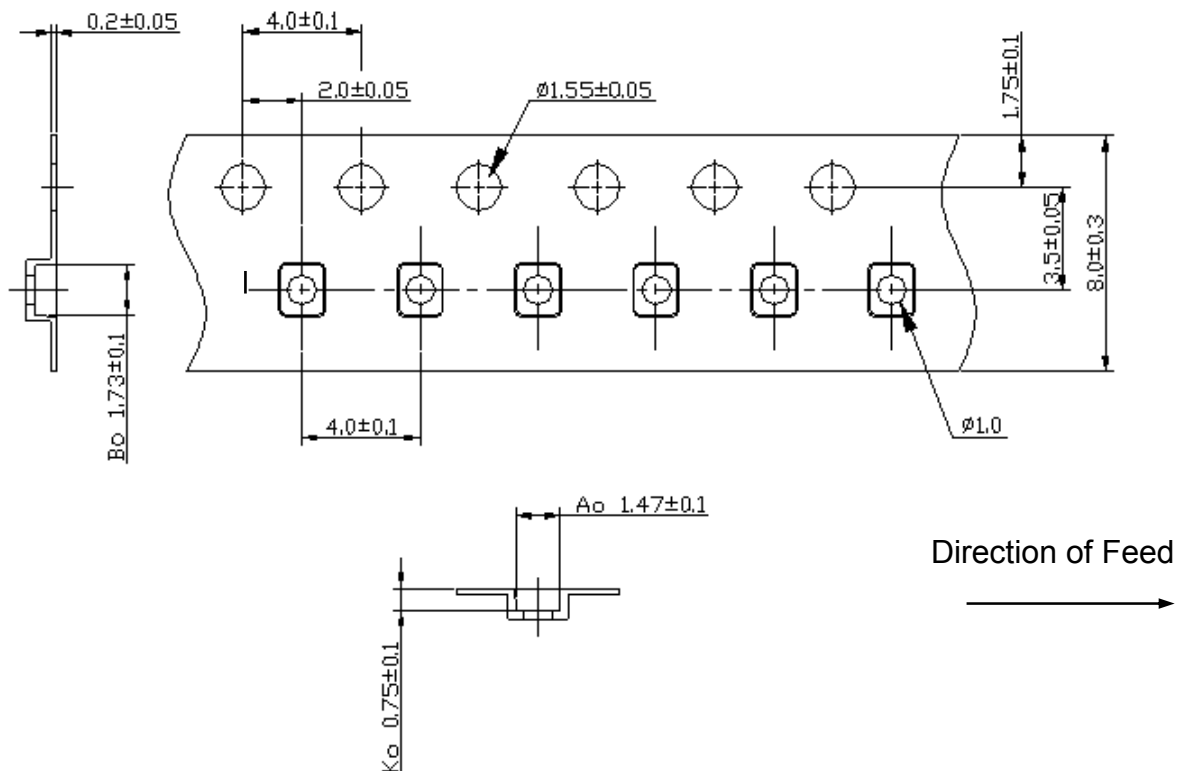
Model: TA1918A
Rev No: 1

G. PACKING:

1. Reel Dimension



2. Tape Dimension



SAW Filter 911.50MHz
Part No: MP08156

Model: TA1918A
Rev No: 1

H. RECOMMENDED REFLOW PROFILE:

1. Preheating shall be fixed at 150 ~ 180°C for 60 ~ 90 seconds.
2. Ascending time to preheating temperature 150°C shall be 30 seconds min.
3. Heating shall be fixed at 220°C for 50 ~ 80 seconds and at 260°C +0/-5°C peak (20 ~ 40 sec).
4. Time: 2 times.

