

**SAW Filter 918.0MHz**

**Model: TA1670A**

**Part No: MP08161**

**Rev No: 1**

**A. MAXIMUM RATING:**

**Electrostatic Sensitive Device (ESD)**

1. Input Power Level: 10dBm
2. DC Voltage: 3V
3. Operating Temperature: -10°C to +55°C
4. Storage Temperature: -40°C to +85°C

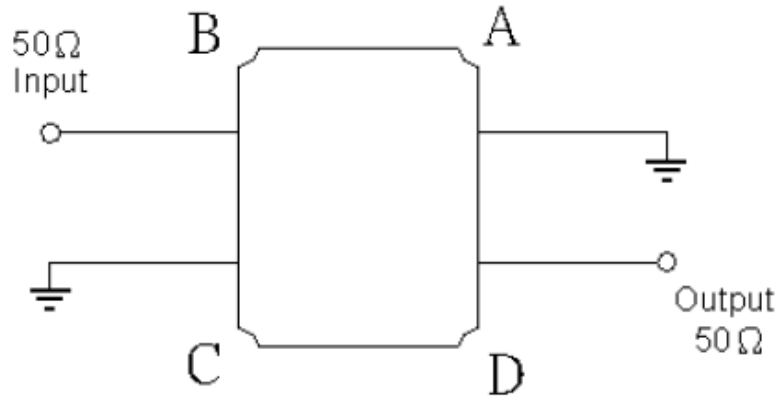
**B. ELECTRICAL CHARACTERISTICS:**

Item	Unit	Min.	Typ.	Max.
Center frequency Fc	MHz	-	918	-
Minimum Insertion Loss IL min	dB	-	3.1	3.5
Amplitude Ripple (915 ~ 921MHz)	dB	-	0.7	2.6
Attenuation (Reference level from 0dB)				
852 ~ 862MHz	dB	20	51	-
876 ~ 880MHz	dB	20	50	-
880 ~ 905MHz	dB	20	42	-
Temperature coefficient of frequency	ppm/k	-	-36	-

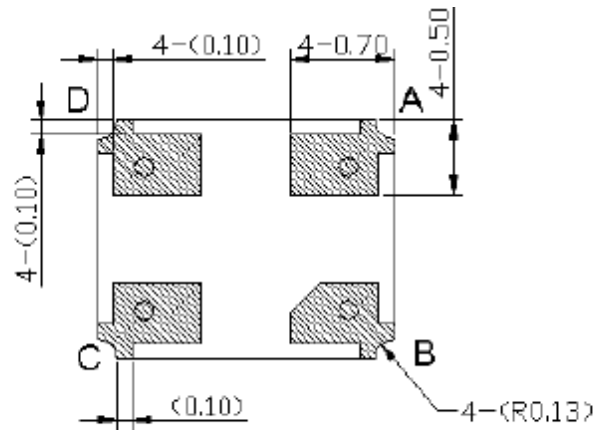
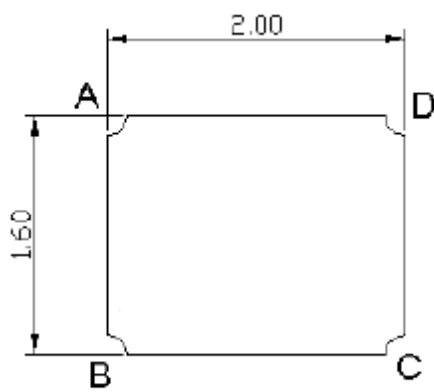
**SAW Filter 918.0MHz**  
**Part No: MP08161**

**Model: TA1670A**  
**Rev No: 1**

**C. MEASUREMENT CIRCUIT:**



**D. OUTLINE DRAWING:**

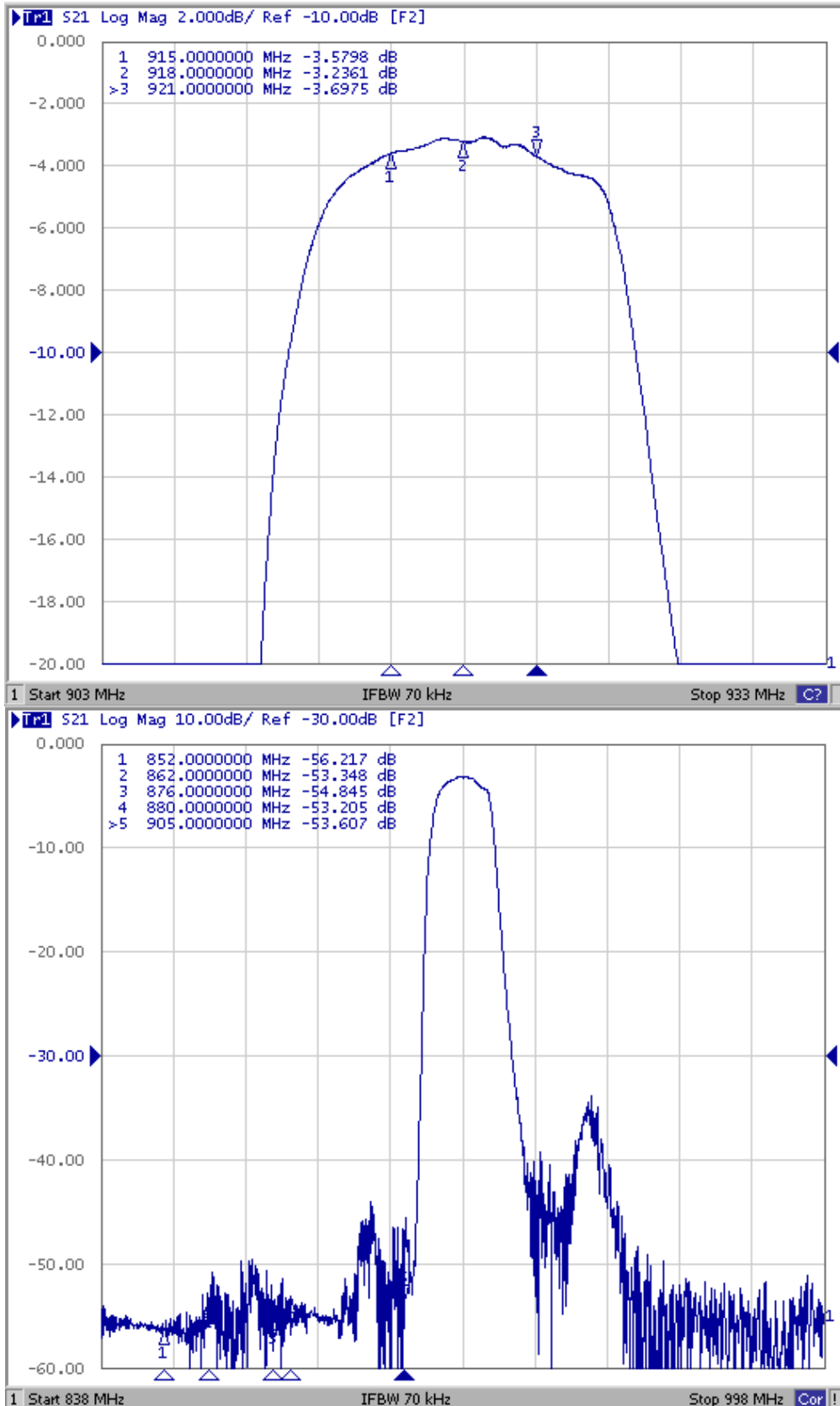


#B : Input  
 #D : Output  
 #A,C : Ground  
 Unit : mm

**SAW Filter 918.0MHz**  
**Part No: MP08161**

**Model: TA1670A**  
**Rev No: 1**

**E. FREQUENCY CHARACTERISTICS:**



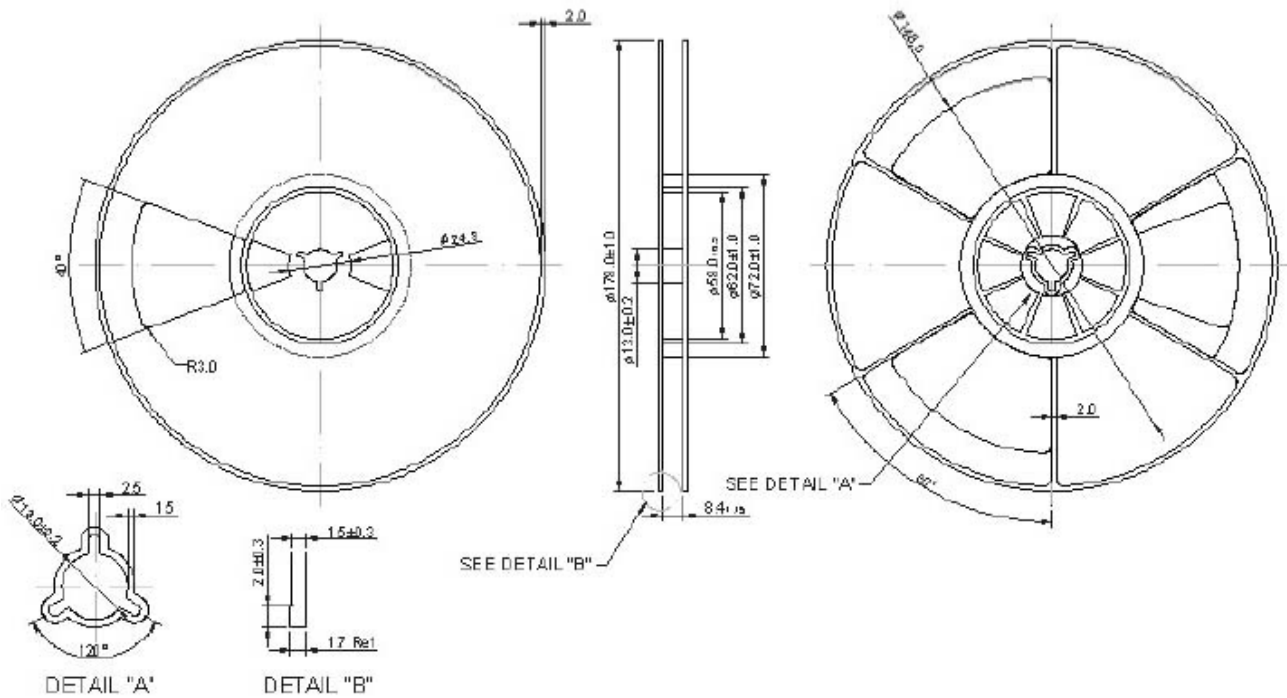
**SAW Filter 918.0MHz**  
**Part No: MP08161**

**Model: TA1670A**  
**Rev No: 1**

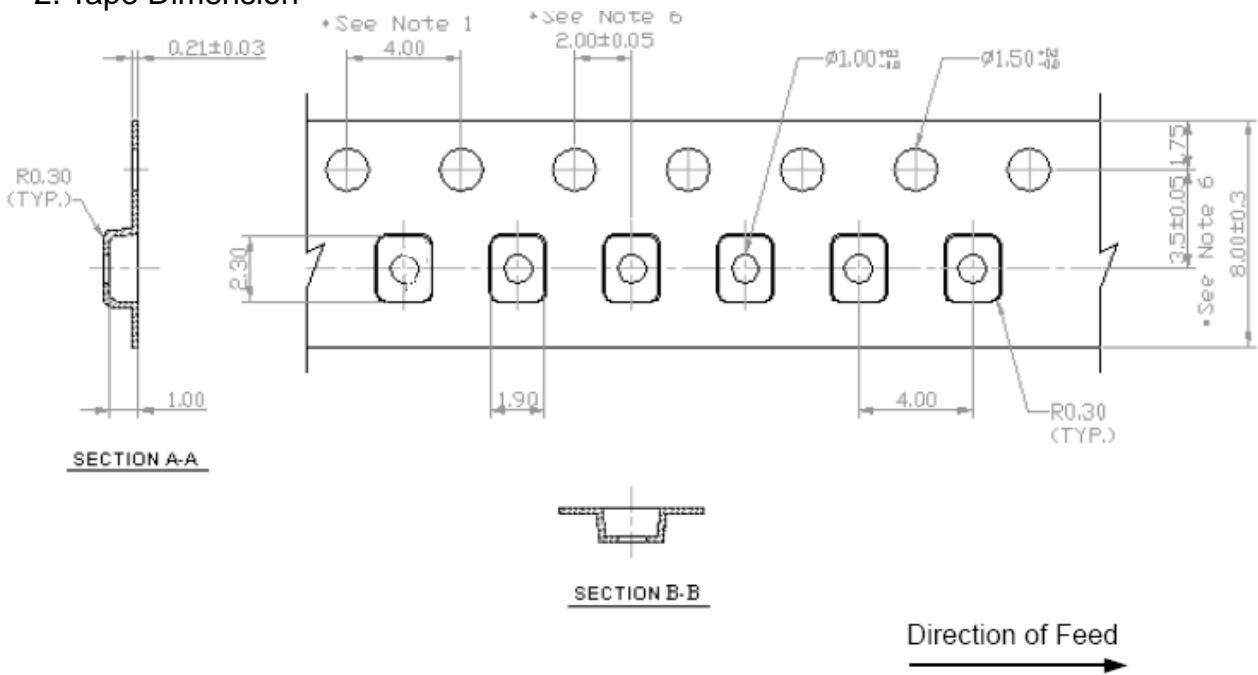
**F. PACKING:**

1. Reel Dimension

( Reel Count : 7''=2000 typ. ; 13''=10000 typ.)



2. Tape Dimension



**SAW Filter 918.0MHz**  
**Part No: MP08161**

**Model: TA1670A**  
**Rev No: 1**

**G. RECOMMENDED REFLOW PROFILE:**

