

SAW Filter 1581.0MHz

Model: TA1553A

Part No: MP08178

Rev No: 1

A. MAXIMUM RATING:

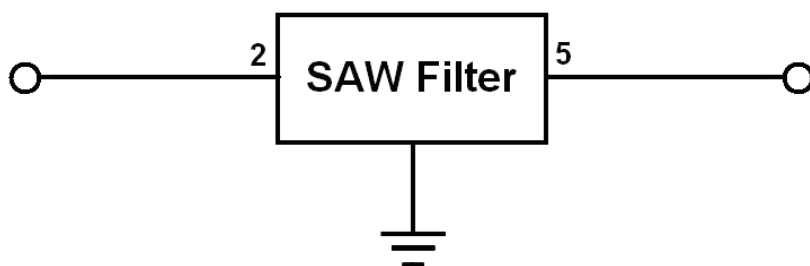
Electrostatic Sensitive Device (ESD)

1. Input Power Level: 20dBm
2. DC Voltage: 3V
3. Operating Temperature: -20°C to +70°C
4. Storage Temperature: -40°C to +85°C
5. Moisture Sensitive Level (MSL): Level 1

B. ELECTRICAL CHARACTERISTICS:

| Item | Unit | Min. | Typ. | Max. |
|--|-------|------|------|------|
| Center frequency Fc | MHz | - | 1581 | - |
| Insertion Loss (1560 ~ 1602MHz) IL | dB | - | 2.6 | 4.0 |
| Amplitude Ripple (1560 ~ 1602MHz) | dB | - | 1.3 | 2.7 |
| VSWR (1560 ~ 1602MHz) | - | - | 1.7 | 2.3 |
| Attenuation (Reference level from 0dB) | | | | |
| D.C. ~ 600MHz | dB | 30 | 36 | - |
| 600 ~ 1500MHz | dB | 27 | 34 | - |
| 1500 ~ 1530MHz | dB | 20 | 39 | - |
| 1630 ~ 1675MHz | dB | 20 | 44 | - |
| 1675 ~ 3000MHz | dB | 30 | 38 | - |
| Temperature coefficient of frequency | ppm/k | - | -36 | - |

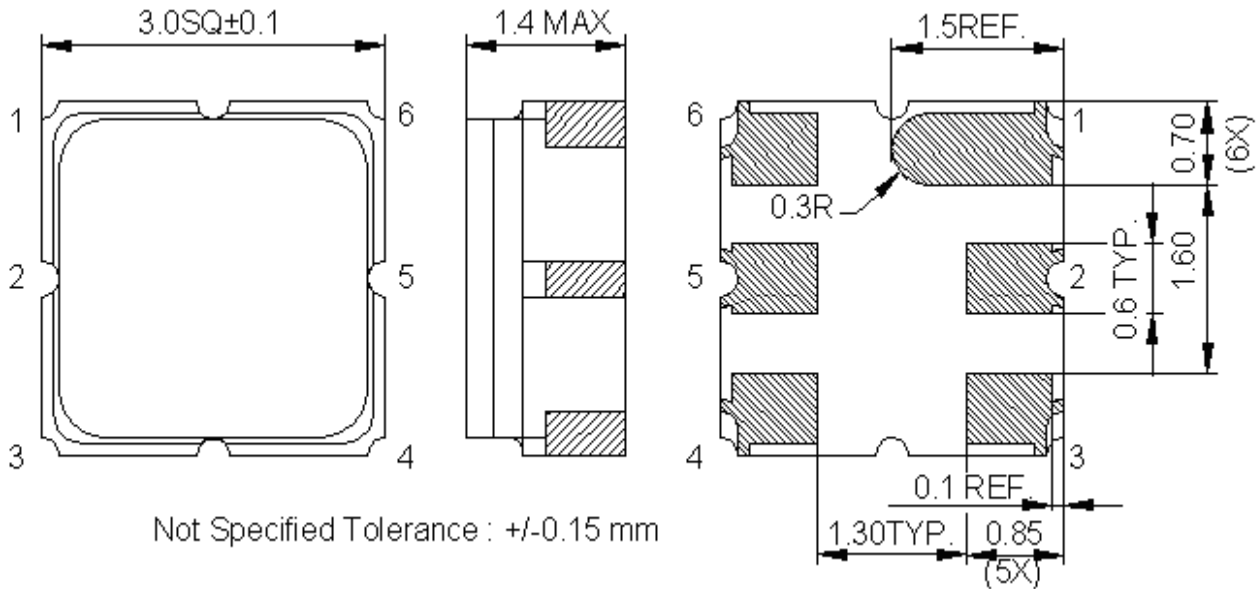
C. MEASUREMENT CIRCUIT:



SAW Filter 1581.0MHz
Part No: MP08178

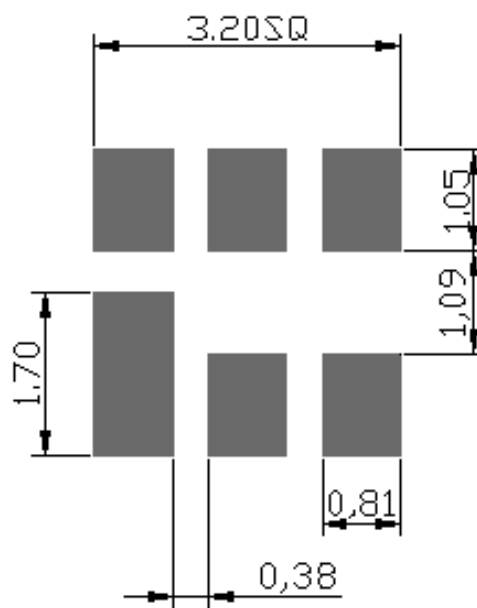
Model: TA1553A
Rev No: 1

D. OUTLINE DRAWING:



2: Input
 5: Output
 Other: Ground
 Unit: mm

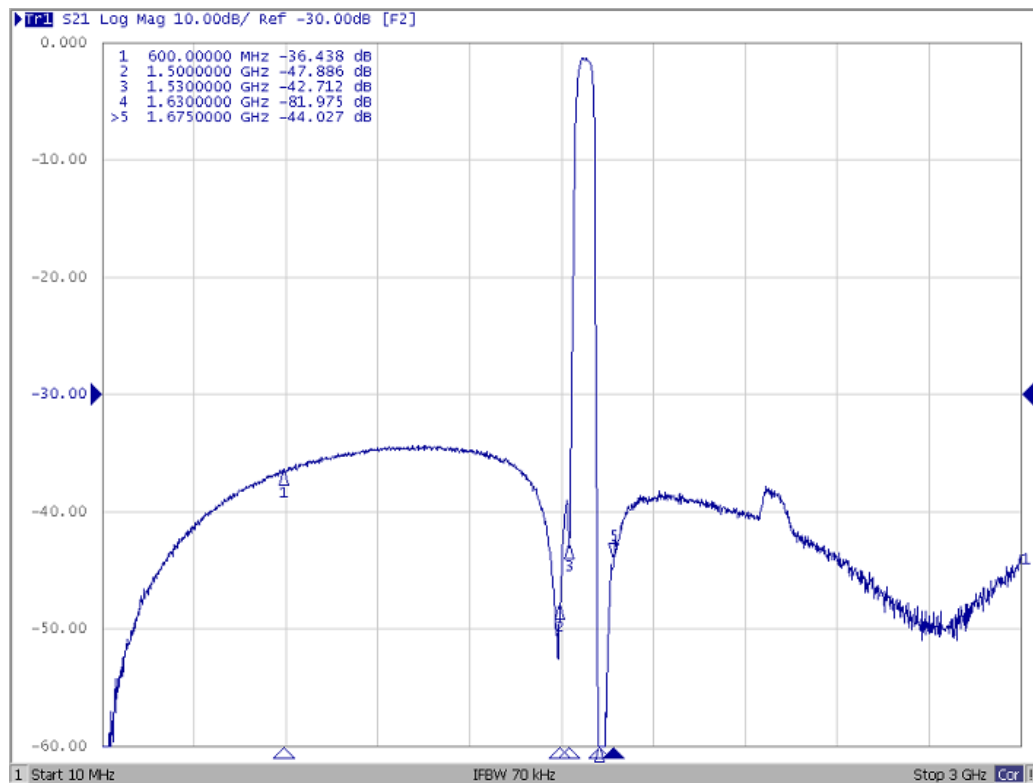
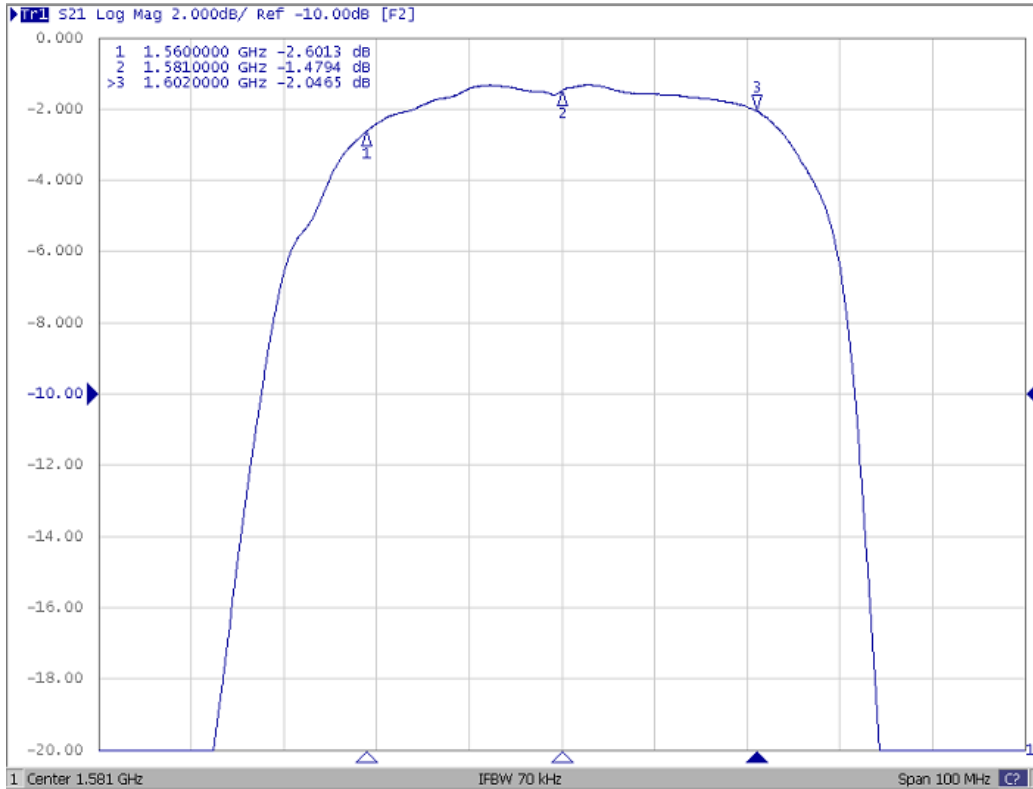
E. PCB FOOTPRINT:



SAW Filter 1581.0MHz
Part No: MP08178

Model: TA1553A
Rev No: 1

F. FREQUENCY CHARACTERISTICS:

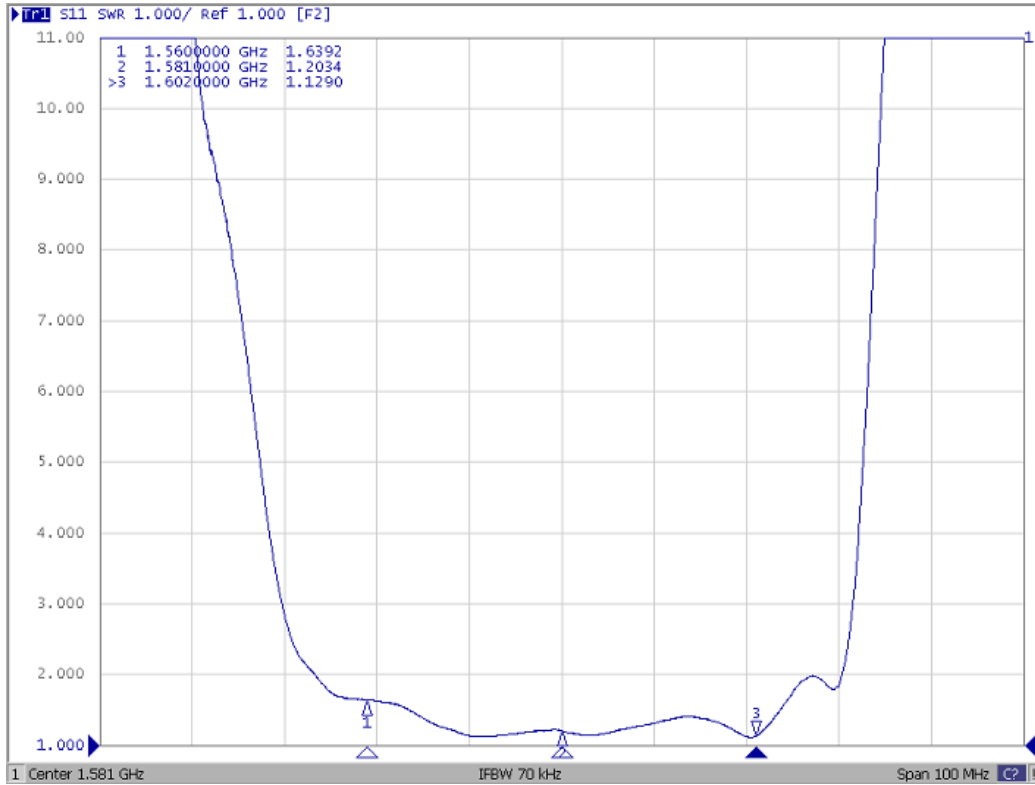


SAW Filter 1581.0MHz
Part No: MP08178

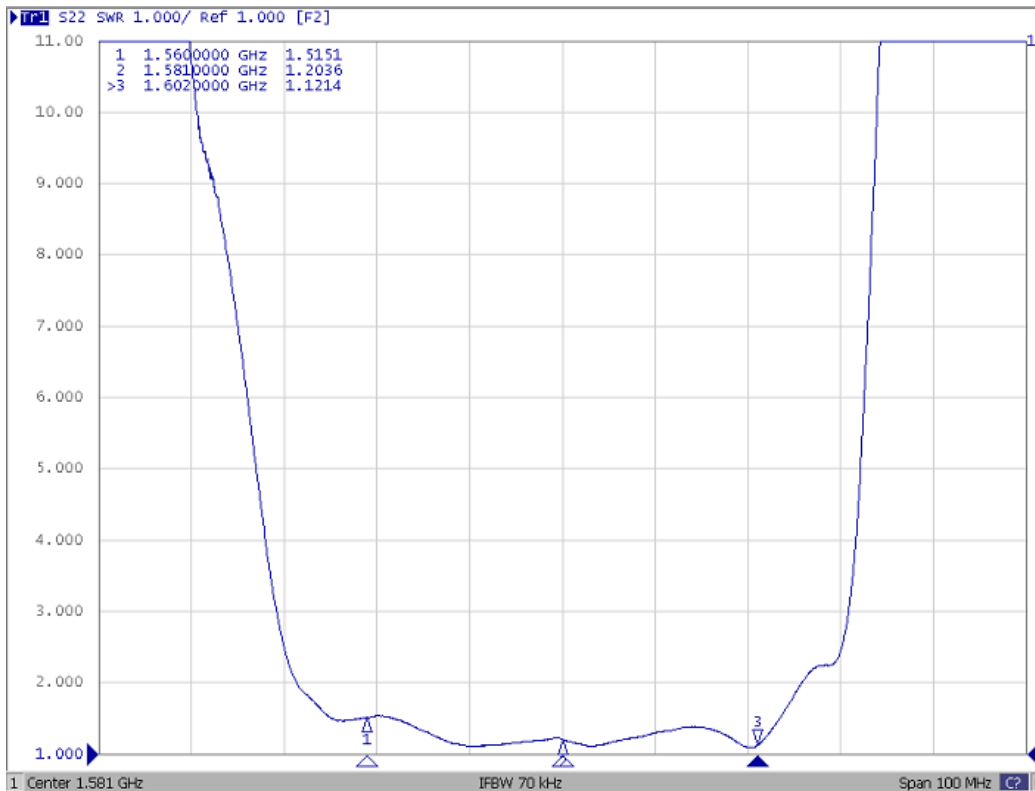
Model: TA1553A
Rev No: 1

Reflection Functions:

S11



S22

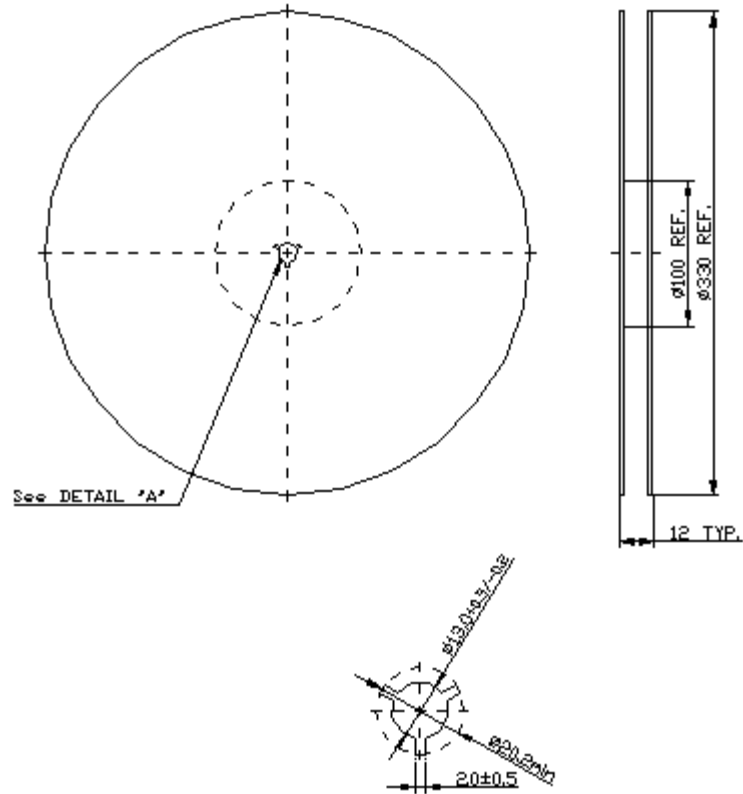


SAW Filter 1581.0MHz
Part No: MP08178

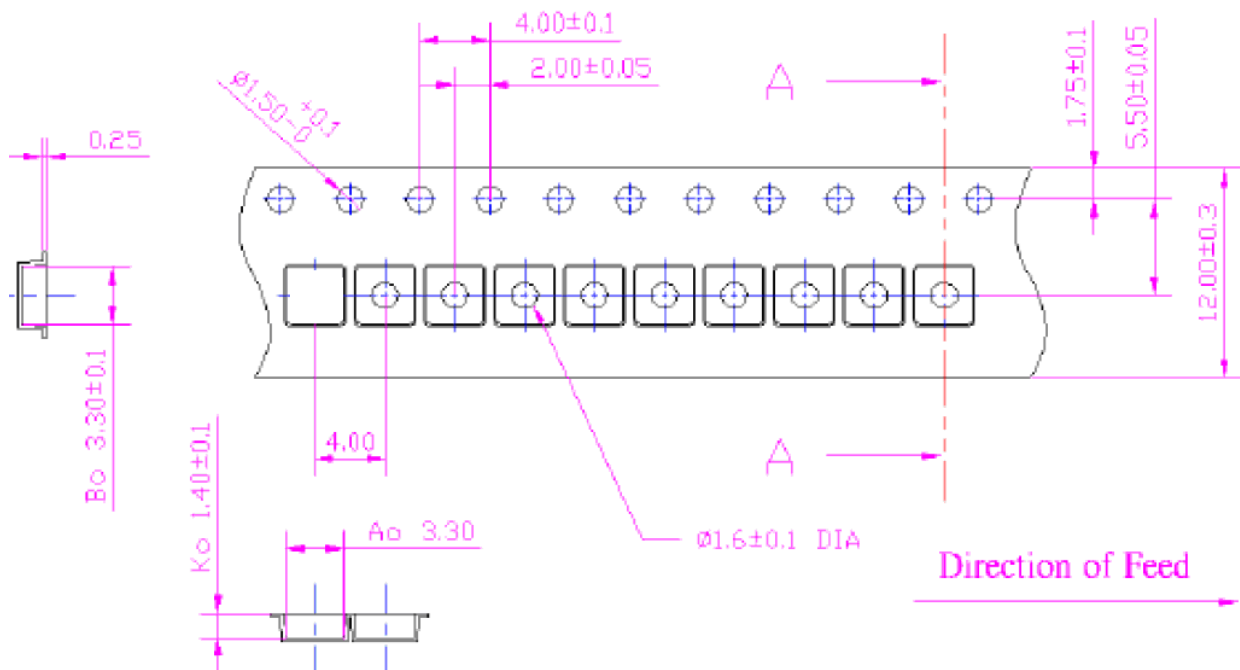
Model: TA1553A
Rev No: 1

G. PACKING:

1. Reel Dimension



2. Tape Dimension



SAW Filter 1581.0MHz
Part No: MP08178

Model: TA1553A
Rev No: 1

H. RECOMMENDED REFLOW PROFILE:

1. Preheating shall be fixed at 150 ~ 180°C for 60 ~ 90 seconds.
2. Ascending time to preheating temperature 150°C shall be 30 seconds min.
3. Heating shall be fixed at 220°C for 50 ~ 80 seconds and at 260°C +0/-5°C peak (20 ~ 40 sec).
4. Time: 2 times.

