

**SAW Filter 314.450MHz**  
**Part No: MP08567**

**Model: TA1778B**  
**Rev No: 1**

**A. MAXIMUM RATING:**

Electrostatic Sensitive Device (ESD)

1. Input Power Level: 20dBm (50000hours CW)
2. Input Power Level: 28dBm (5000hours CW)
3. DC Voltage: 0V
4. Operating Temperature: -40°C to +105°C
5. Storage Temperature: -40°C to +105°C

**B. ELECTRICAL CHARACTERISTICS:**

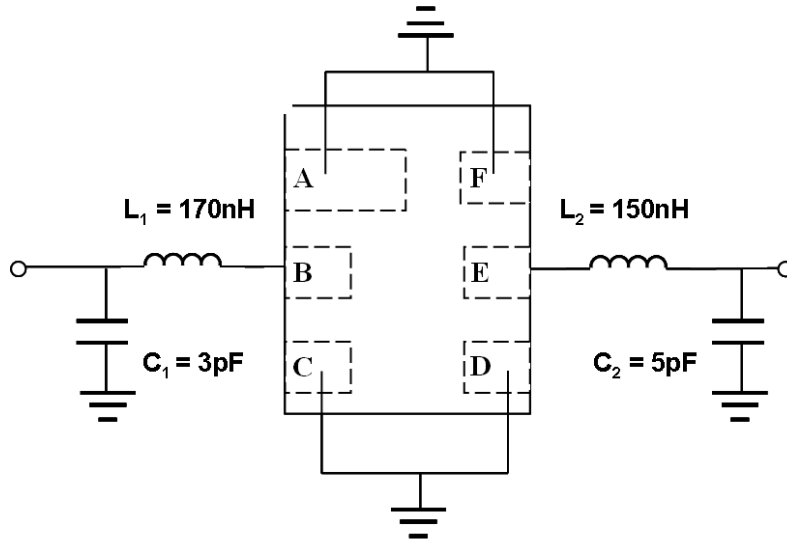
1. Terminating source impedance (single):  $Z_S = 50\Omega$
2. Terminating load impedance (single):  $Z_L = 50\Omega$

Item	Unit	Min	Typ.	Max
Center Frequency $F_c$	MHz	-	314.45	-
Minimum Insertion Loss (313.92 ~ 314.98MHz) $\alpha_{min}$				
Incl. loss in matching elements	dB	-	1.9	2.7
Excl. loss in matching elements	dB	-	1.0	1.6
Pass Band (Relative to $\alpha_{min}$ )				
313.92 ~ 314.98MHz	dB	-	2.5	3.0
313.90 ~ 315.00MHz	dB	-	3.0	3.5
Relative Attenuation (Relative to $\alpha_{min}$ ) $\alpha_{rel}$				
10 ~ 180MHz	dB	61	66	-
180 ~ 200MHz	dB	57	62	-
300 ~ 310MHz	dB	26	31	-
310 ~ 313MHz	dB	11	16	-
315.9 ~ 318.8MHz	dB	11	16	-
318.8 ~ 326MHz	dB	18	25	-
326 ~ 328MHz	dB	31	36	-
328 ~ 340MHz	dB	36	41	-
340 ~ 389MHz	dB	41	46	-
389 ~ 568MHz	dB	54	59	-
568 ~ 1164MHz	dB	61	66	-
1164 ~ 2250MHz	dB	51	57	-
2250 ~ 2500MHz	dB	55	61	-

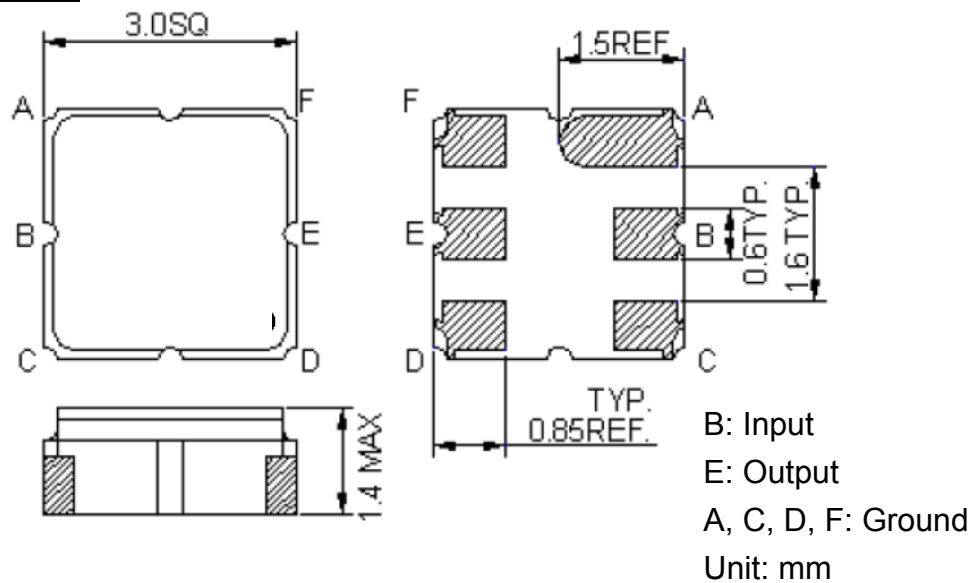
**SAW Filter 314.450MHz**  
**Part No: MP08567**

**Model: TA1778B**  
**Rev No: 1**

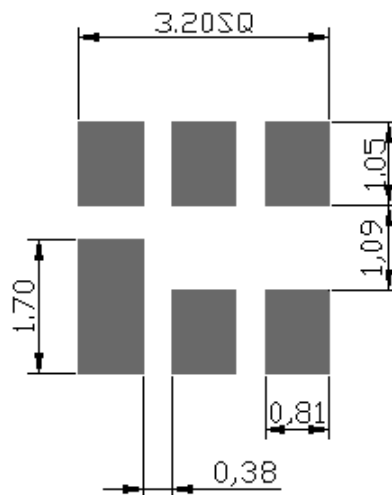
**C. TEST CIRCUIT:**



**D. OUTLINE DRAWING:**



**E. PCB FOOTPRINT:**

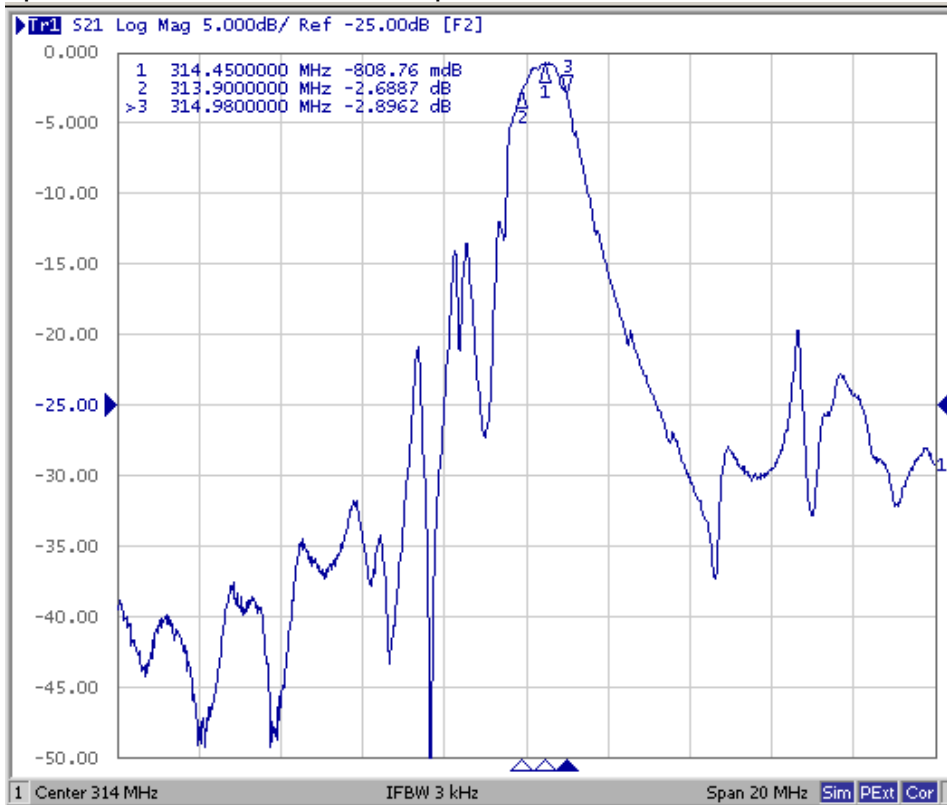


**SAW Filter 314.450MHz**  
**Part No: MP08567**

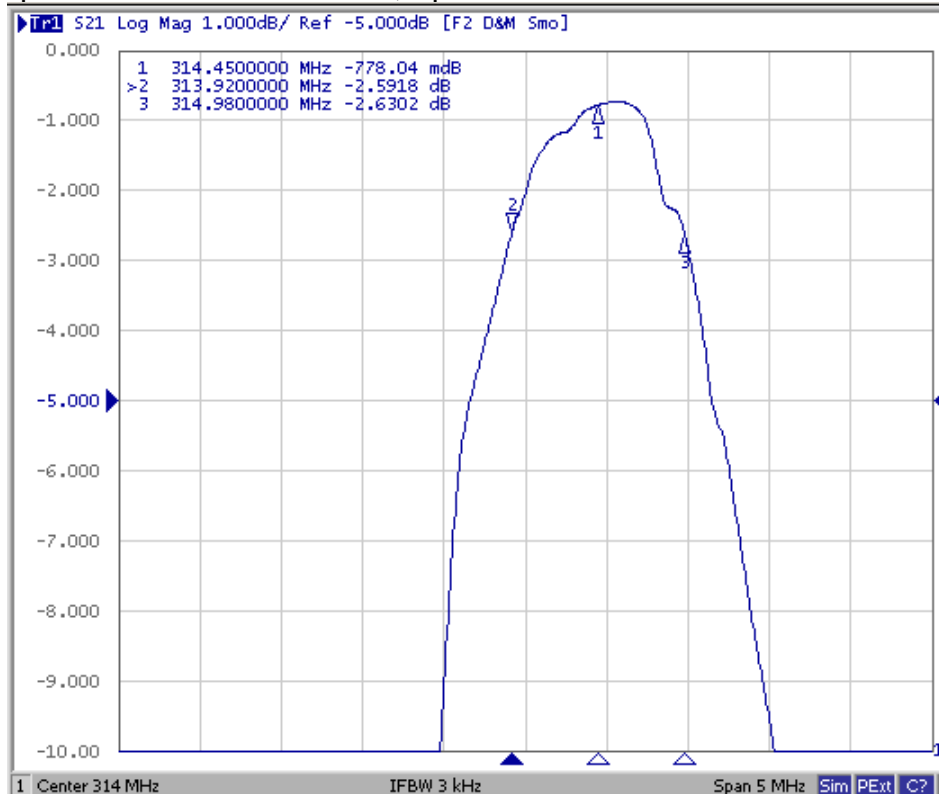
**Model: TA1778B**  
**Rev No: 1**

**F. FREQUENCY CHARACTERISTICS:**

1. S21 response: Center 314.45MHz, Span 20MHz



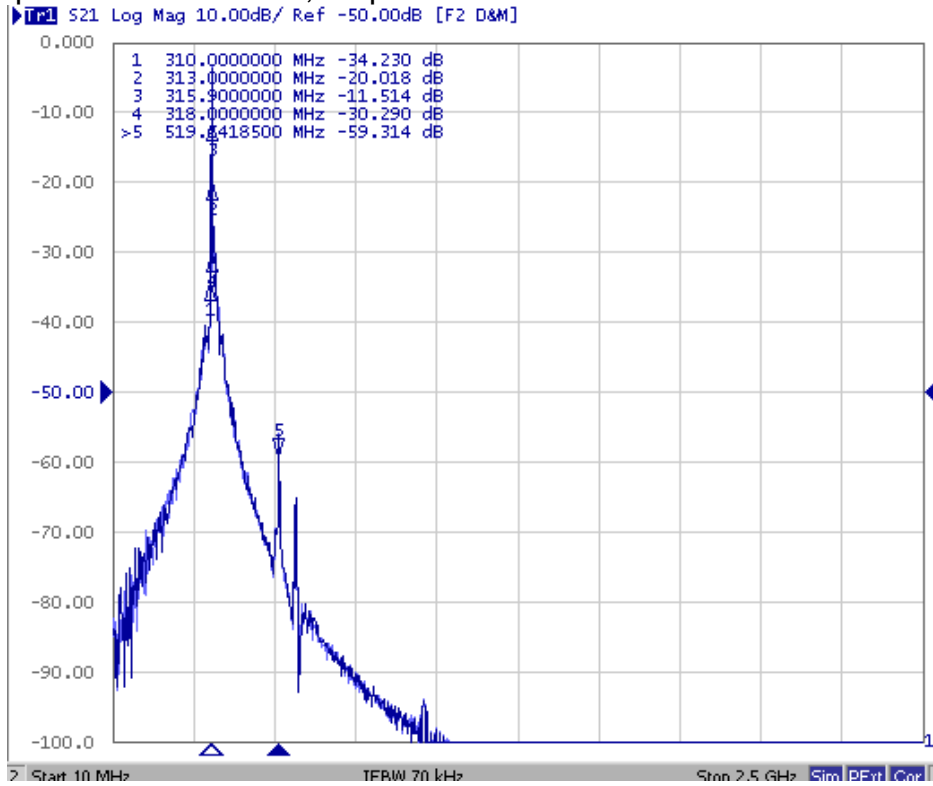
2. S21 response: Center 314.45MHz, Span 5 MHz



**SAW Filter 314.450MHz**  
**Part No: MP08567**

**Model: TA1778B**  
**Rev No: 1**

3. S21 response: Start 10 MHz, Stop 2500 MHz

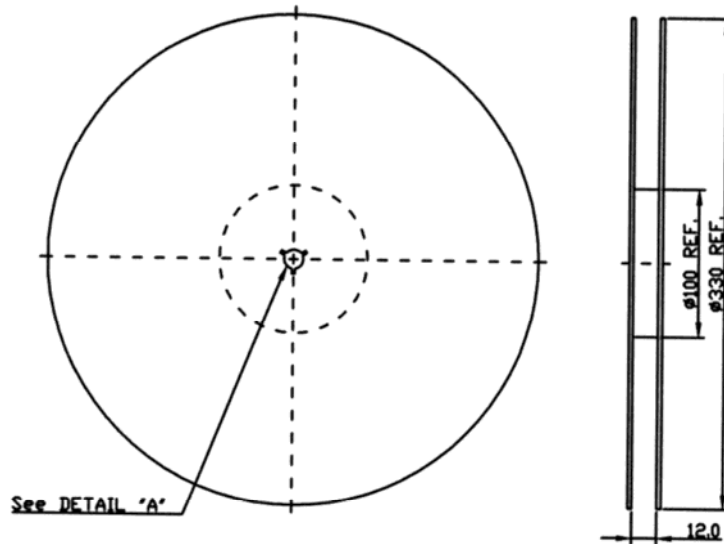


**SAW Filter 314.450MHz**  
**Part No: MP08567**

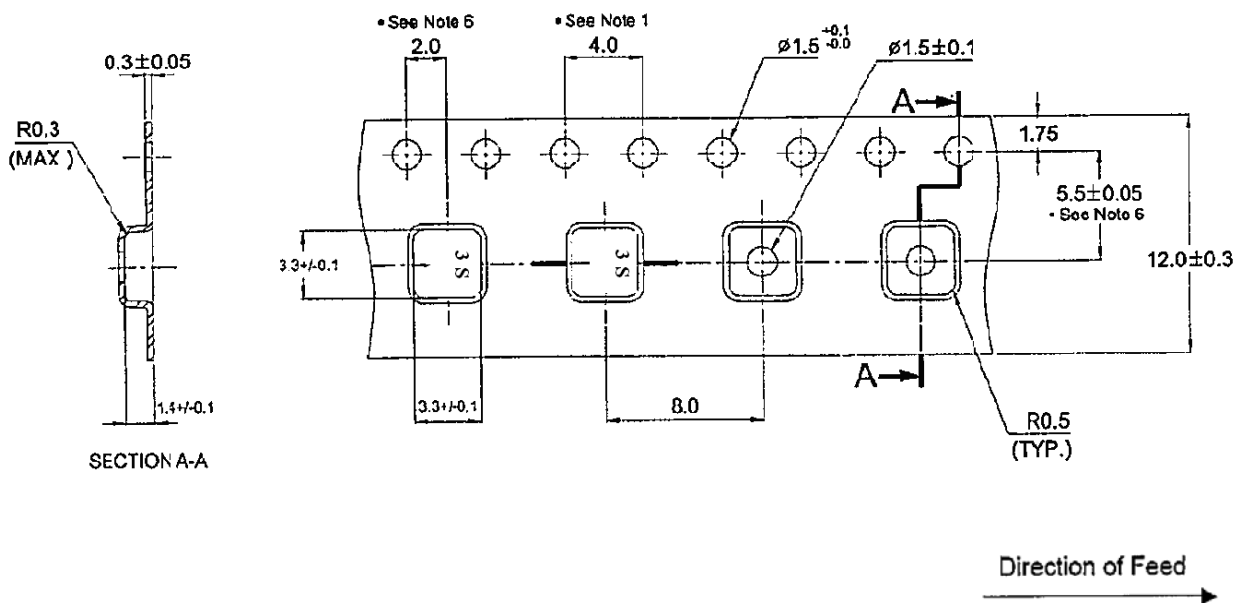
**Model: TA1778B**  
**Rev No: 1**

**G. PACKING:**

1. Reel Dimension



2. Tape Dimension



**SAW Filter 314.450MHz**  
**Part No: MP08567**

**Model: TA1778B**  
**Rev No: 1**

**H. RECOMMENDED REFLOW PROFILE:**

1. Preheating shall be fixed at 150 ~ 180°C for 60 ~ 90 seconds.
2. Ascending time to preheating temperature 150°C shall be 30 seconds min.
3. Heating shall be fixed at 220°C for 50 ~ 80 seconds and at 260°C +0/-5°C peak (20 ~ 40 sec).
4. Time: 2 times.

