

SAW Filter 2332.50MHz

Model: TA1492A

Part No: MP08572

Rev No: 1

A. MAXIMUM RATING:

Electrostatic Sensitive Device (ESD)

1. Input Power Level: 10dBm
2. DC Voltage: 3V
3. Operating Temperature: -40°C to +85°C
4. Storage Temperature: -50°C to +95°C

B. ELECTRICAL CHARACTERISTICS:

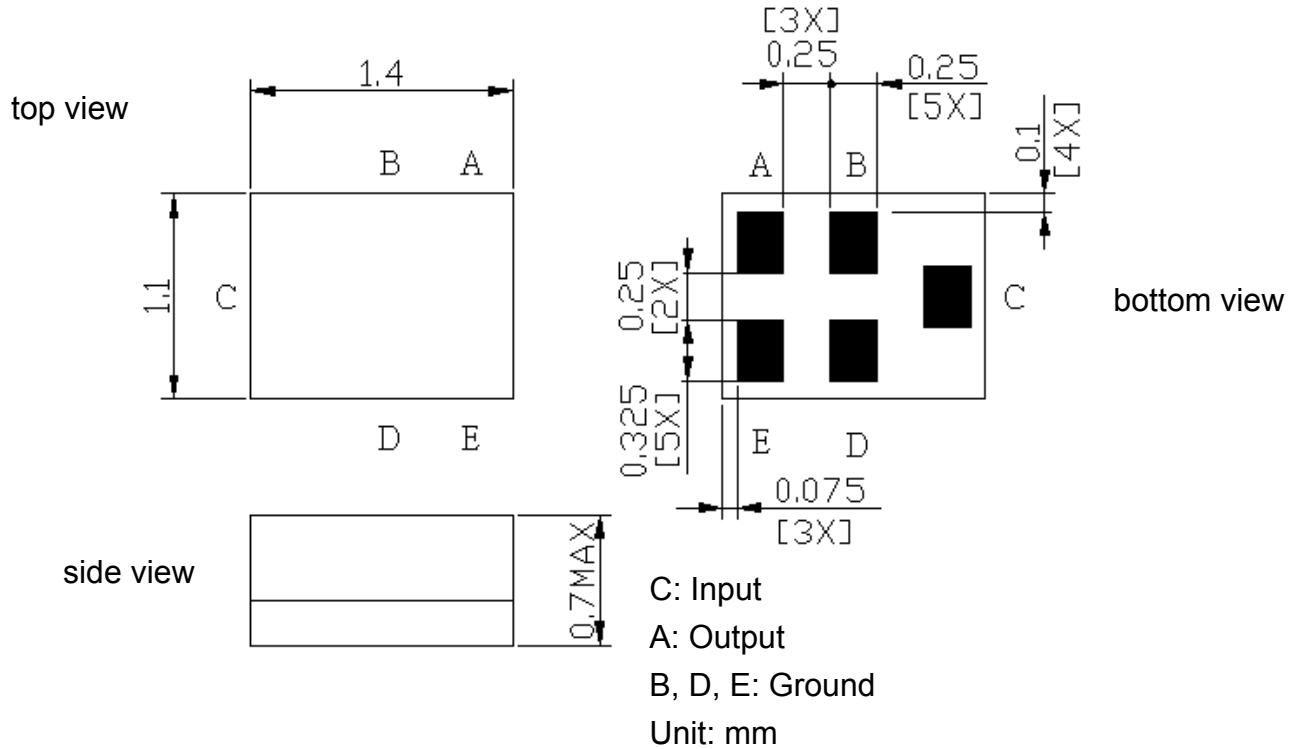
1. Terminating source impedance (single-ended): $Z_S = 50\Omega$
2. Terminating load impedance (single-ended): $Z_L = 50\Omega$

Item	Unit	Min.	Typ.	Max.	Note
Center Frequency Fc	MHz	-	2332.5	-	-
Insertion Loss (2320 ~ 2345MHz) IL	dB	-	1.9	3.5	-
Amplitude ripple (2320 ~ 2345MHz)	dB	-	0.7	2	-
Group Delay ripple (2320 ~ 2345MHz)	ns	-	7	50	-
VSWR (2320 ~ 2345MHz)		-	1.5	2.5	-
Attenuation (Reference level from 0dB)					
DC ~ 2175MHz	dB	40	42	-	-
2227MHz	dB	27	47	-	-
2400MHz	dB	12	58	-	-
2426MHz	dB	17	60	-	-
2500MHz	dB	27	51	-	-
2526MHz	dB	32	50	-	-
2700 ~ 3500MHz	dB	30	48	-	-
Temperature Coefficient of Frequency	ppm/°C	-	-36	-	-

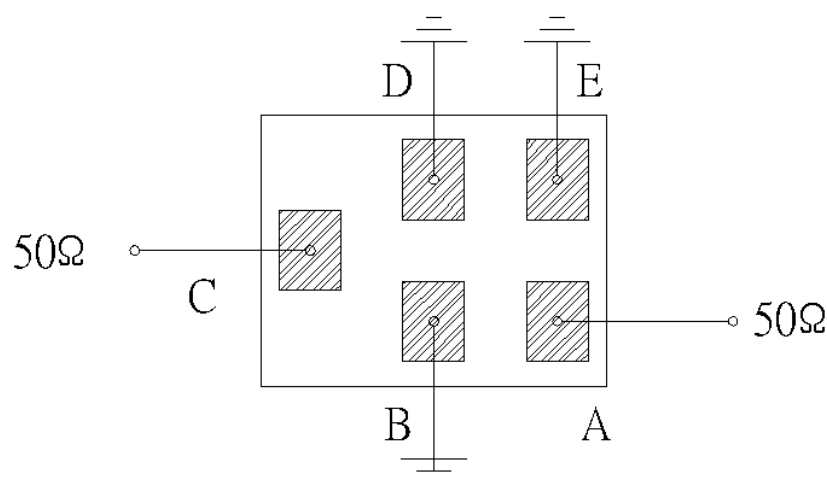
SAW Filter 2332.50MHz
Part No: MP08572

Model: TA1492A
Rev No: 1

C. OUTLINE DRAWING:



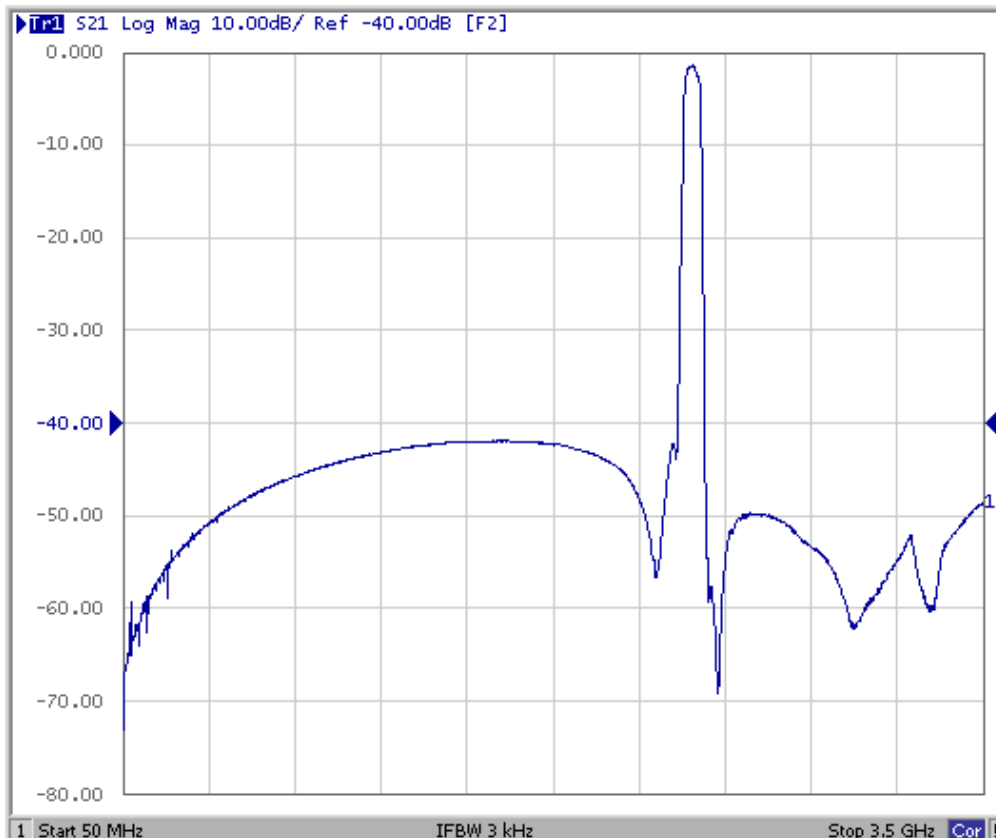
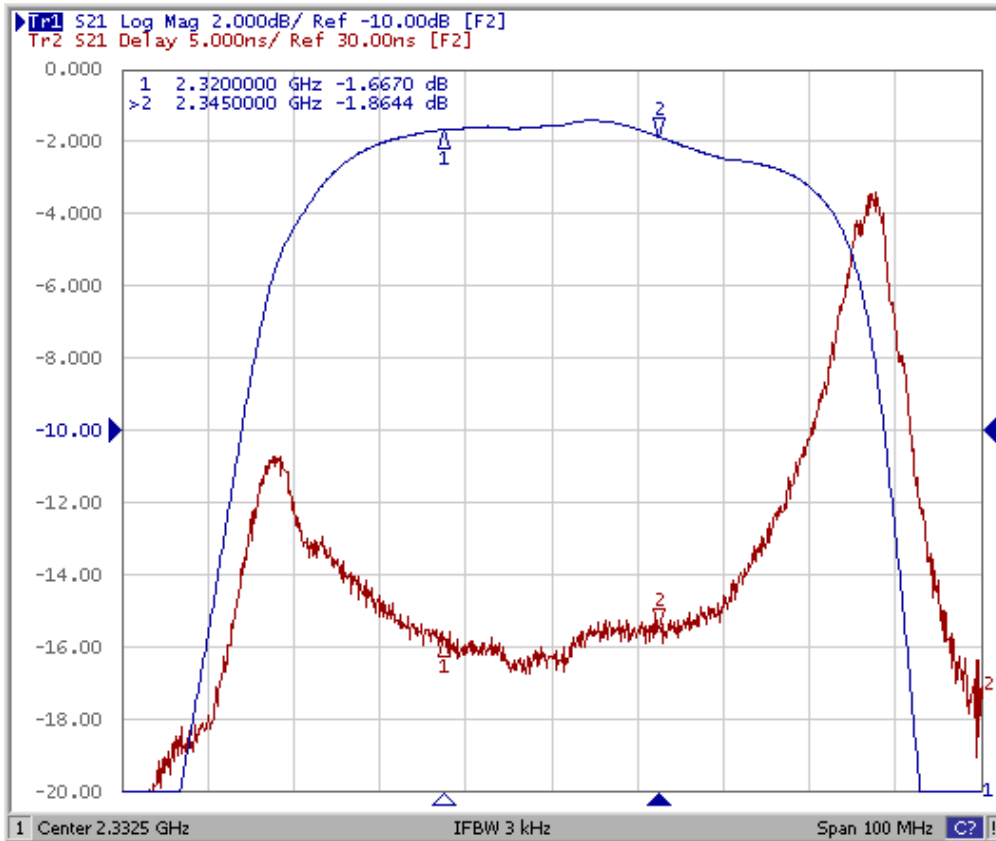
D. MEASUREMENT CIRCUIT:



SAW Filter 2332.50MHz
Part No: MP08572

Model: TA1492A
Rev No: 1

E. FREQUENCY CHARACTERISTICS:

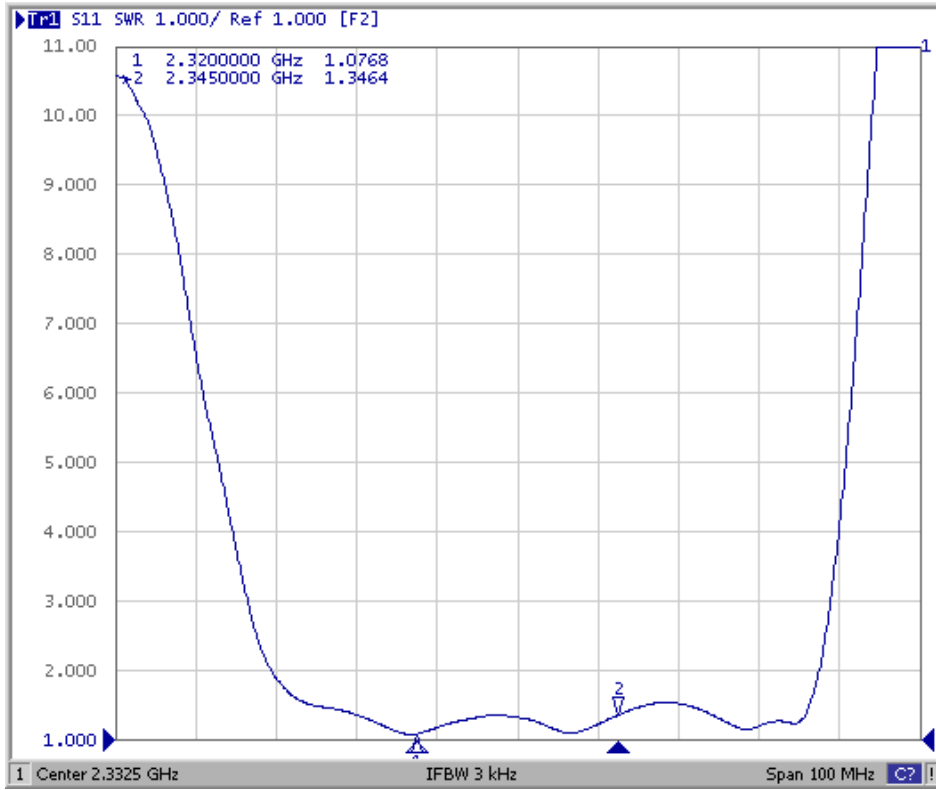


SAW Filter 2332.50MHz
Part No: MP08572

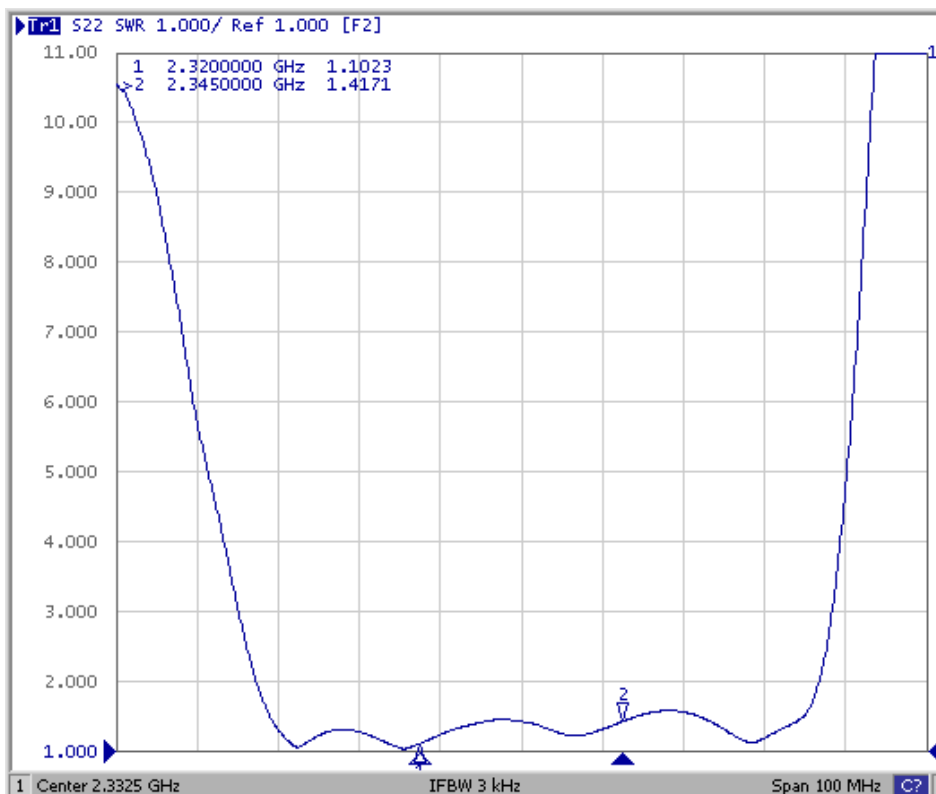
Model: TA1492A
Rev No: 1

Reflection Functions

S11



S22

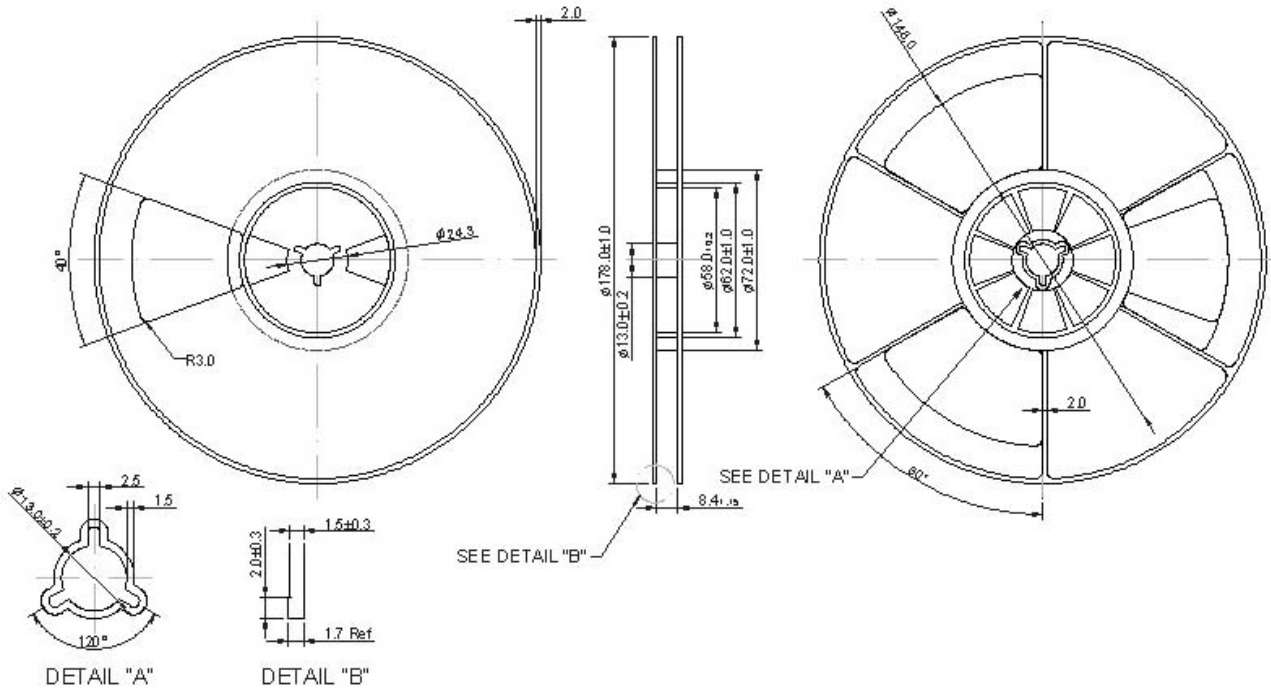


SAW Filter 2332.50MHz
Part No: MP08572

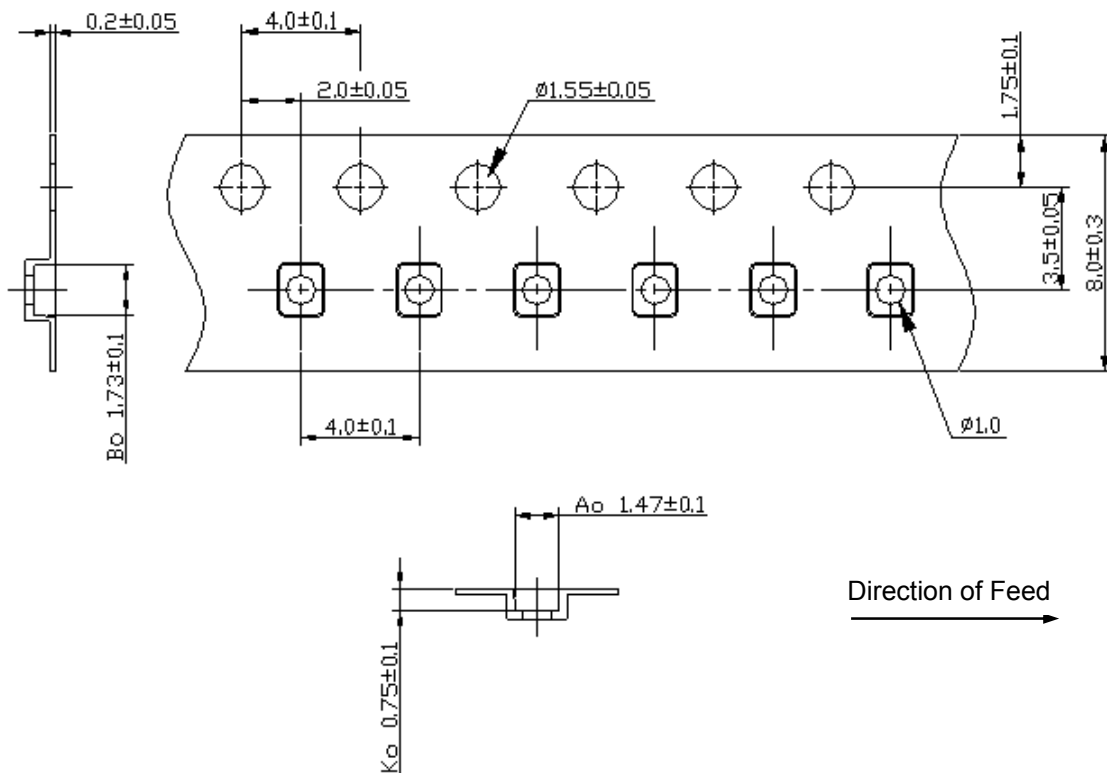
Model: TA1492A
Rev No: 1

F. PACKING:

1. Reel Dimension



2. Tape Dimension



SAW Filter 2332.50MHz
Part No: MP08572

Model: TA1492A
Rev No: 1

G. RECOMMENDED REFLOW PROFILE:

1. Preheating shall be fixed at 150 ~ 180°C for 60 ~ 90 seconds.
2. Ascending time to preheating temperature 150°C shall be 30 seconds min.
3. Heating shall be fixed at 220°C for 50 ~ 80 seconds and at 245 ~ 260°C peak (min. 10 sec).
4. Time: 2 times.

