

SAW Filter 480.0MHz
Part No: MP08926

Model: TA0421C
Rev No: 1

A. MAXIMUM RATING:

1. Input Power Level: 10dBm
2. DC voltage: 3V
3. Operating Temperature: -40°C to +85°C
4. Storage Temperature: -40°C to +85°C

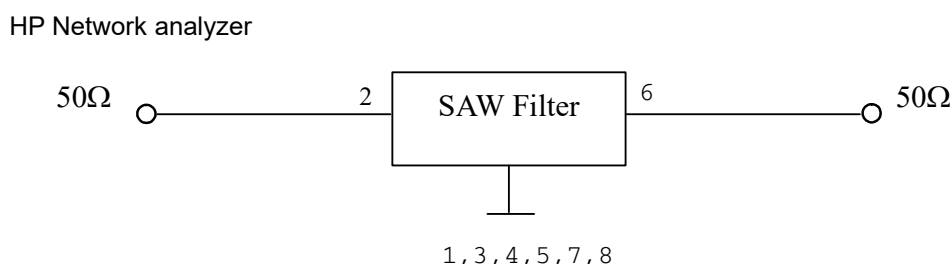
B. ELECTRICAL CHARACTERISTICS:

Reference temperature: 25°C

Item	Unit	Min.	Typ.	Max.
Center frequency Fc	MHz	-	480	-
Insertion Loss IL min (reference level)	dB	-	1.6	2.8
2dB Bandwidth BW -2dB	MHz	18.7	24.3	-
Absolute Attenuation:(Reference level from 0dB)				
Fc -45 to Fc -100MHz	dB	40	56	-
Fc +45 to Fc +55MHz	dB	30	56	-
Fc +55 to Fc +100MHz	dB	40	54	-
Temperature coefficient of frequency	ppm/k	-	-36	-
Source impedance Z _S	Ω	-	50	-
Load impedance Z _L	Ω	-	50	-

Note: IL min is the minimum of the pass band attenuation. The center frequency Fc is the mean value of the upper and lower frequencies at the 2dB filter attenuation level relative to the IL min.

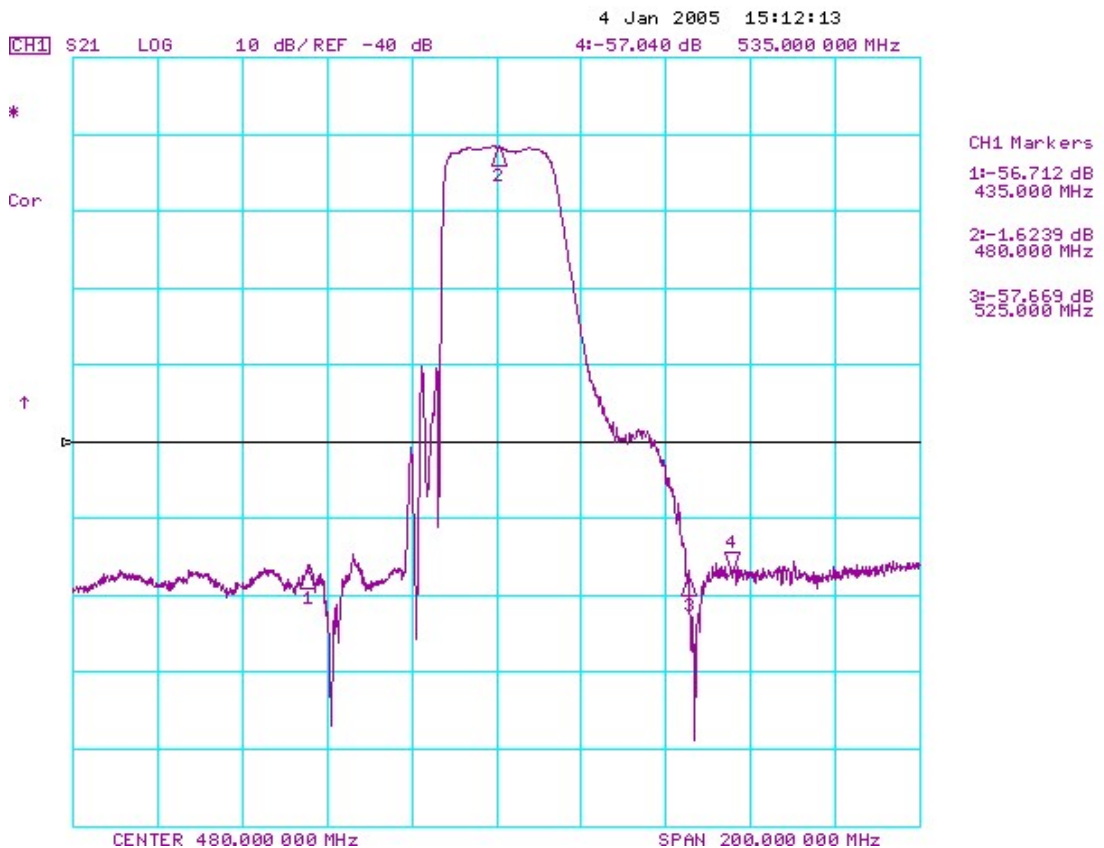
C. MEASUREMENT CIRCUIT:



SAW Filter 480.0MHz
Part No: MP08926

Model: TA0421C
Rev No: 1

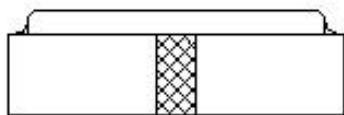
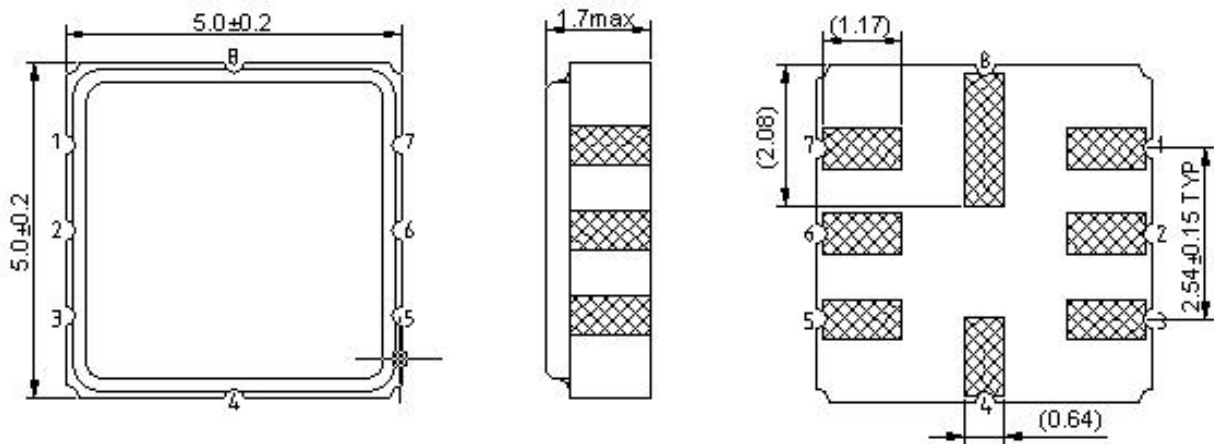
D. FREQUENCY CHARACTERISTICS:



SAW Filter 480.0MHz
Part No: MP08926

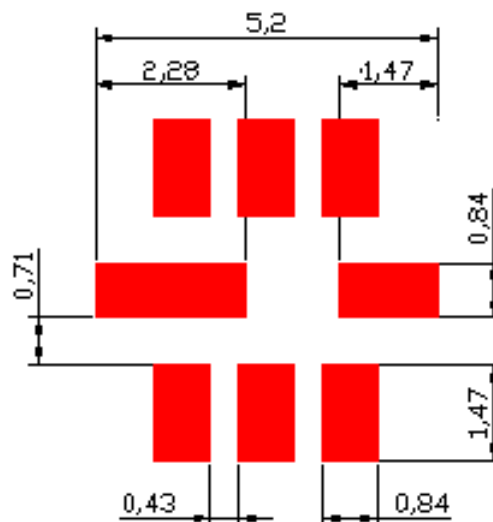
Model: TA0421C
Rev No: 1

E. OUTLINE DRAWING:



2: Input
 6: Output
 1, 3, 4, 5, 7, 8: Ground
 Unit: mm

F. PCB FOOTPRINT:

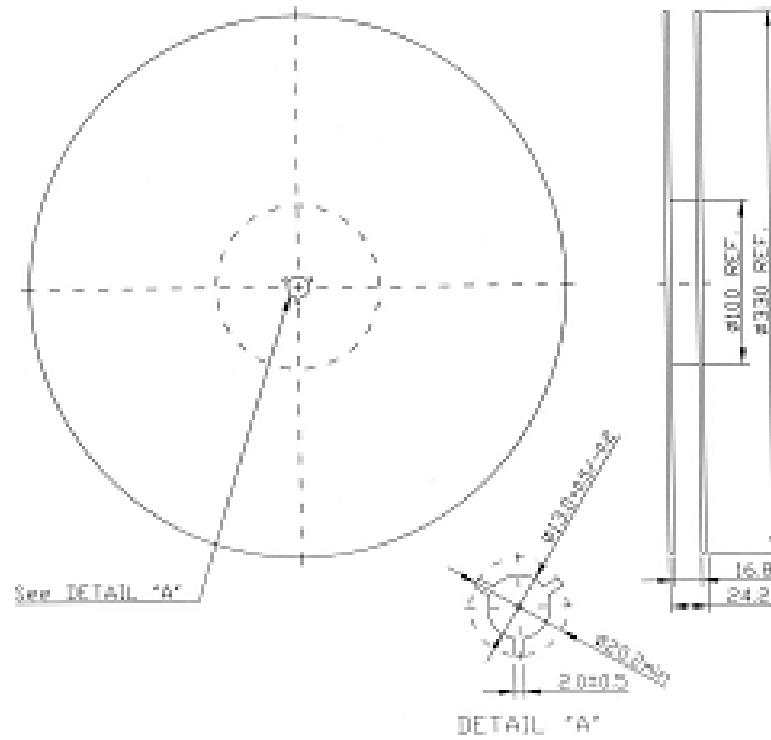


SAW Filter 480.0MHz
Part No: MP08926

Model: TA0421C
Rev No: 1

G. PACKING:

1. Reel Dimensions



2. Tape Dimensions

