

SAW Filter: 428.0MHz
Part No: MP11519

Model: TA0577B
Rev. No: 1

A. MAXIMUM RATING:

Electrostatic Sensitive Device (ESD)

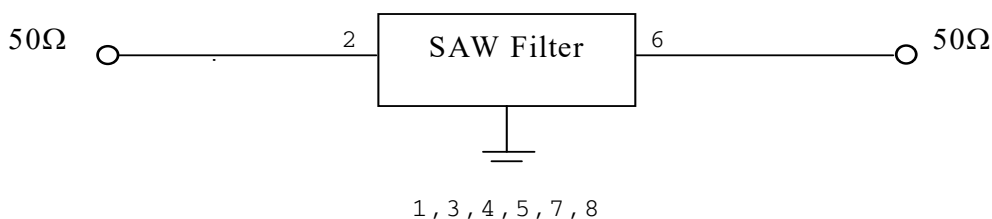
1. Input Power Level: 10dBm
2. DC voltage: 3 V
3. Operating Temperature: -40°C to +85°C
4. Storage Temperature: -40°C to +85°C
5. Moisture Sensitivity Level: Level 1 (MSL1)
6. ESD 100V (MM), 200V (HBM)

B. ELECTRICAL CHARACTERISTICS:

Item	Unit	Min.	Typ.	Max.
Center frequency Fc	MHz	-	428	-
Insertion Loss (426.025~429.925MHz)	dB	-	2	3.6
Amplitude Ripple (426.025~429.925MHz)	dB	-	0.5	2.1
Attenuation (Reference level from 0dB)				
1 ~ 391MHz	dB	40	68	-
391 ~ 406.5MHz	dB	31	66	-
406.5 ~ 417.9MHz	dB	10	48	-
461 ~ 481MHz	dB	35	65	-
481 ~ 555MHz	dB	40	64	-
Input/Output VSWR (426.025~429.925MHz)		-	1.3	2.2
Source impedance Z _S	Ω	-	50	-
Load impedance Z _L	Ω	-	50	-

C. MEASUREMENT CIRCUIT:

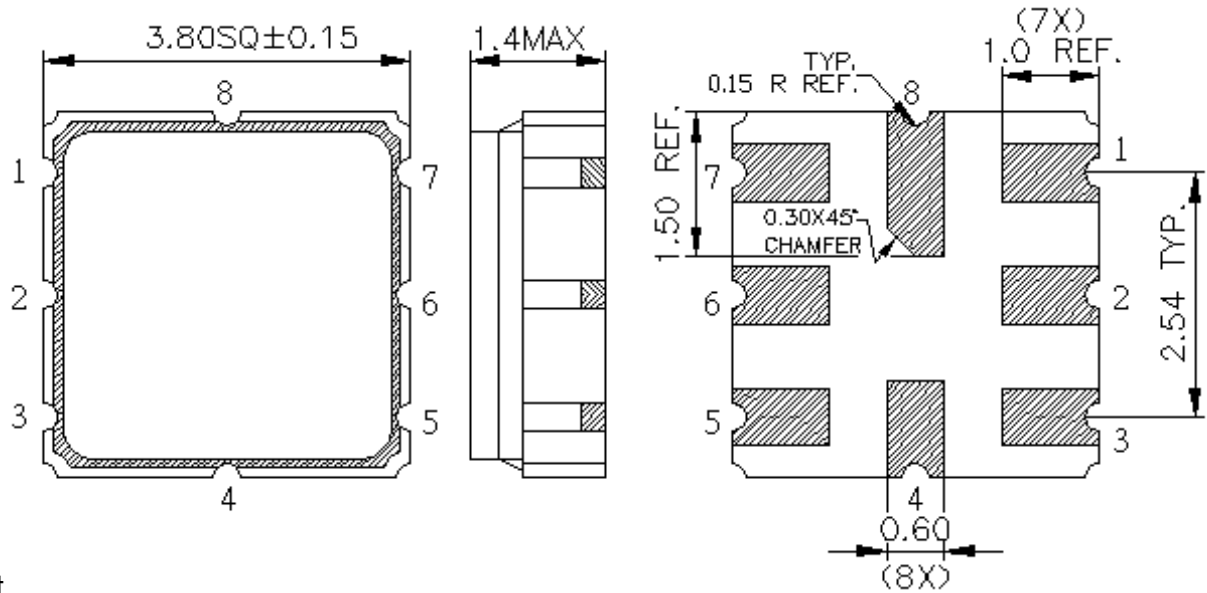
HP Network analyzer



SAW Filter: 428.0MHz
Part No: MP11519

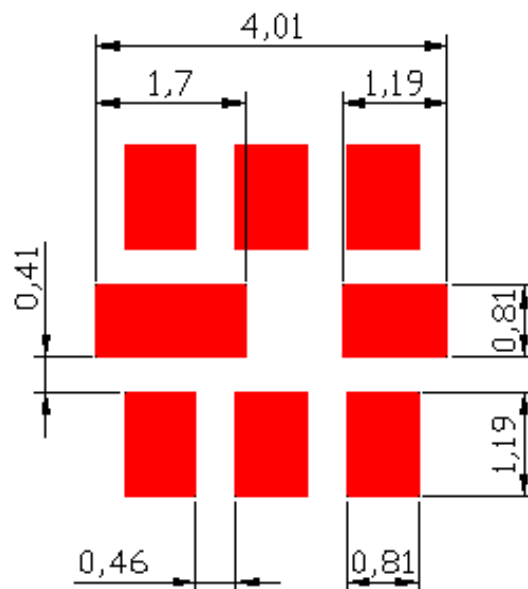
Model: TA0577B
Rev. No: 1

D. OUTLINE DRAWING:



2: Input
 6: Output
 1, 3, 4, 5, 7, 8: Ground
 Unit: mm

E. PCB FOOTPRINT:

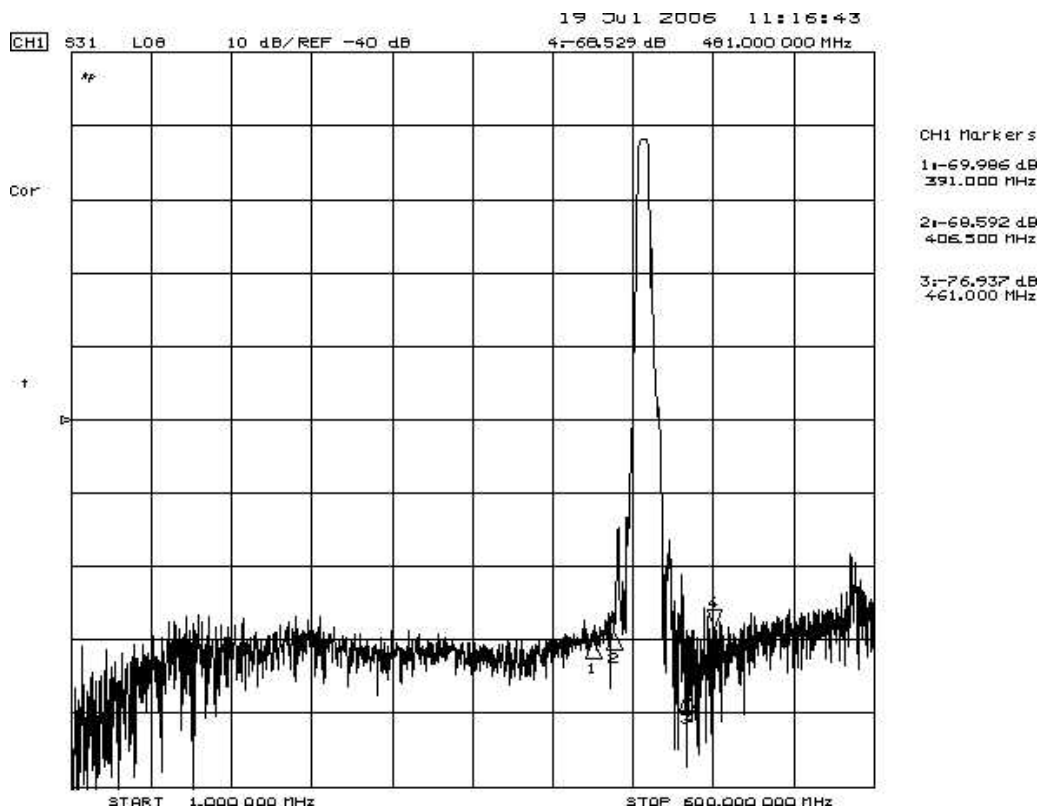
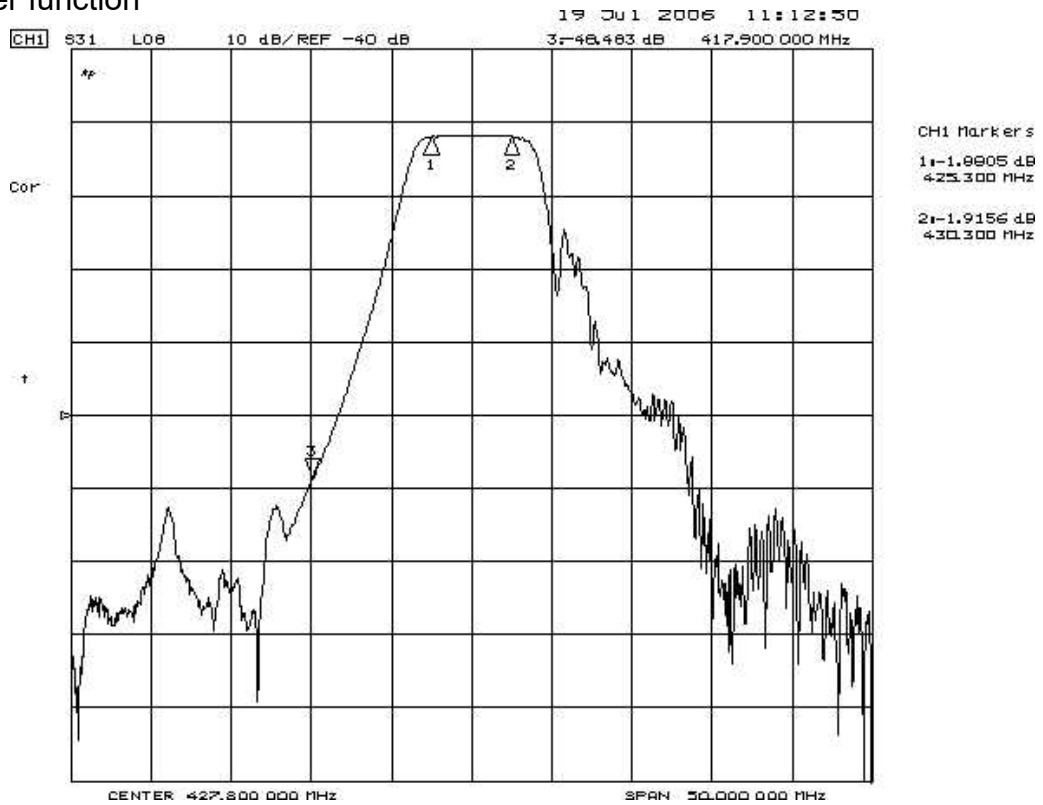


SAW Filter: 428.0MHz
Part No: MP11519

Model: TA0577B
Rev. No: 1

F. FREQUENCY CHARACTERISTICS:

1. Transfer function

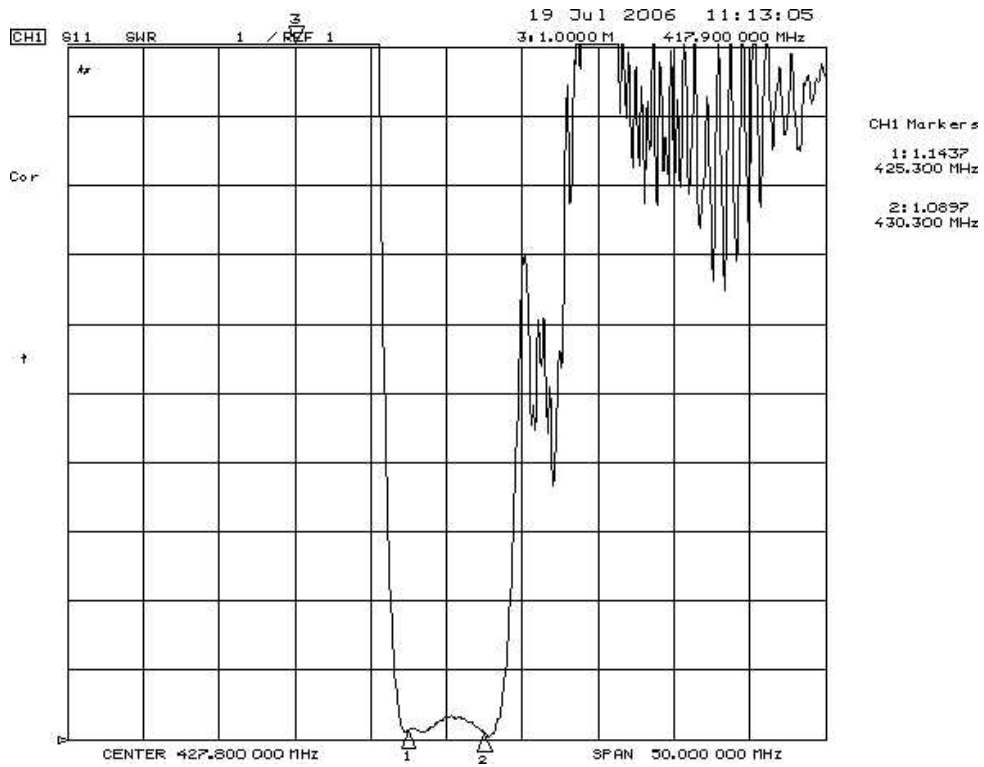


SAW Filter: 428.0MHz
Part No: MP11519

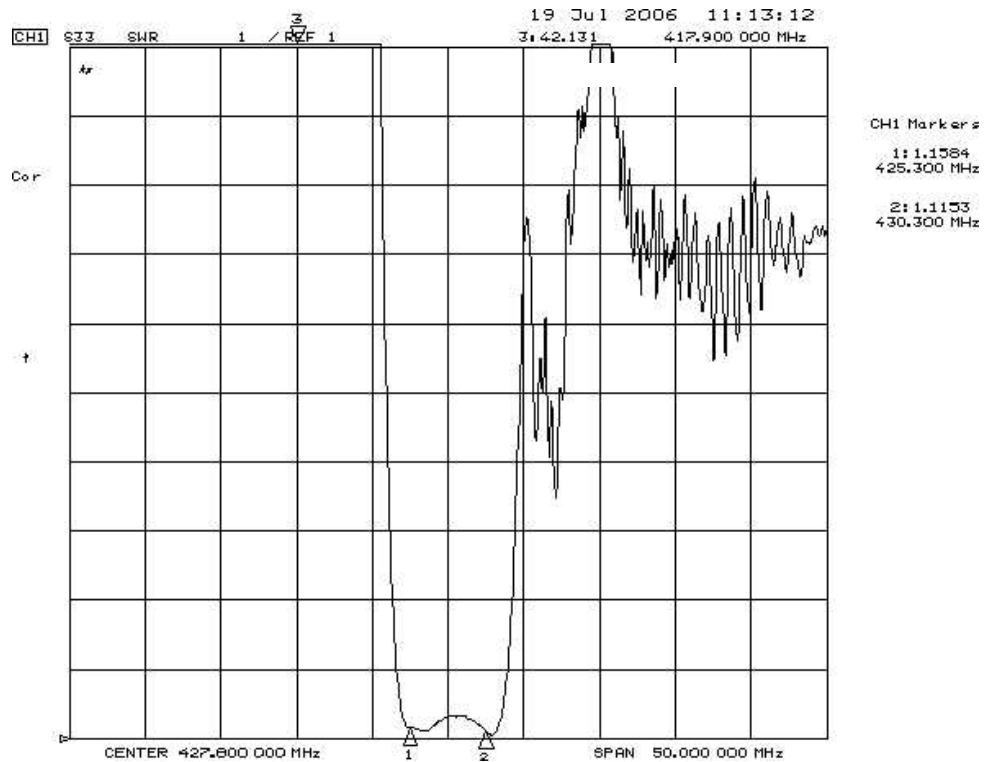
Model: TA0577B
Rev. No: 1

2. Reflections Functions

S11 VSWR



S22 VSWR

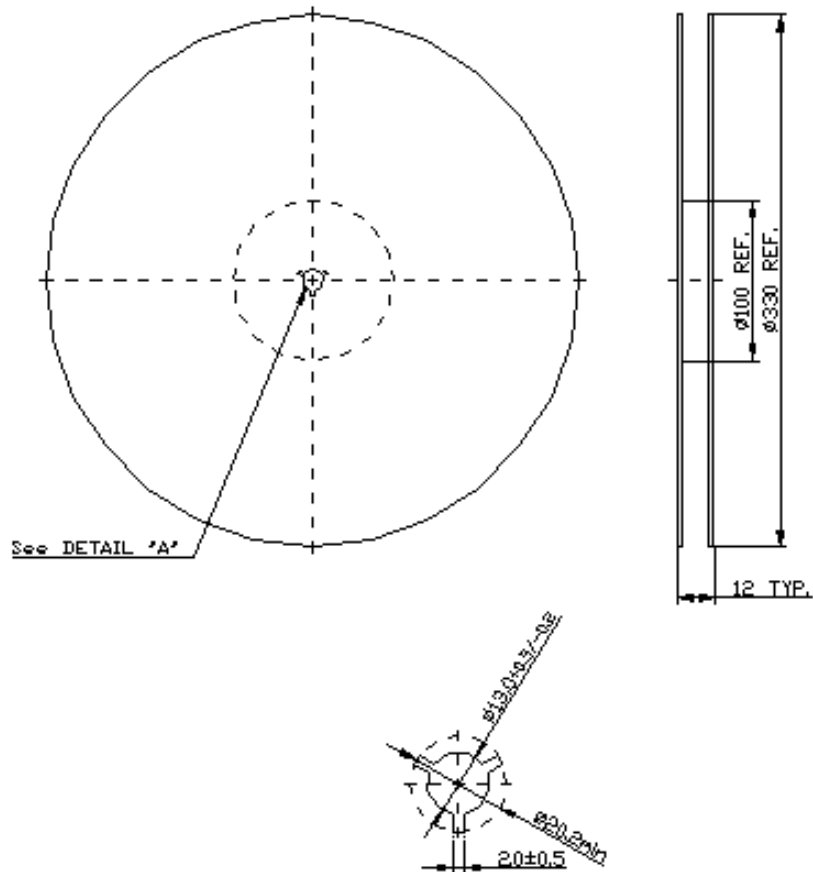


SAW Filter: 428.0MHz
Part No: MP11519

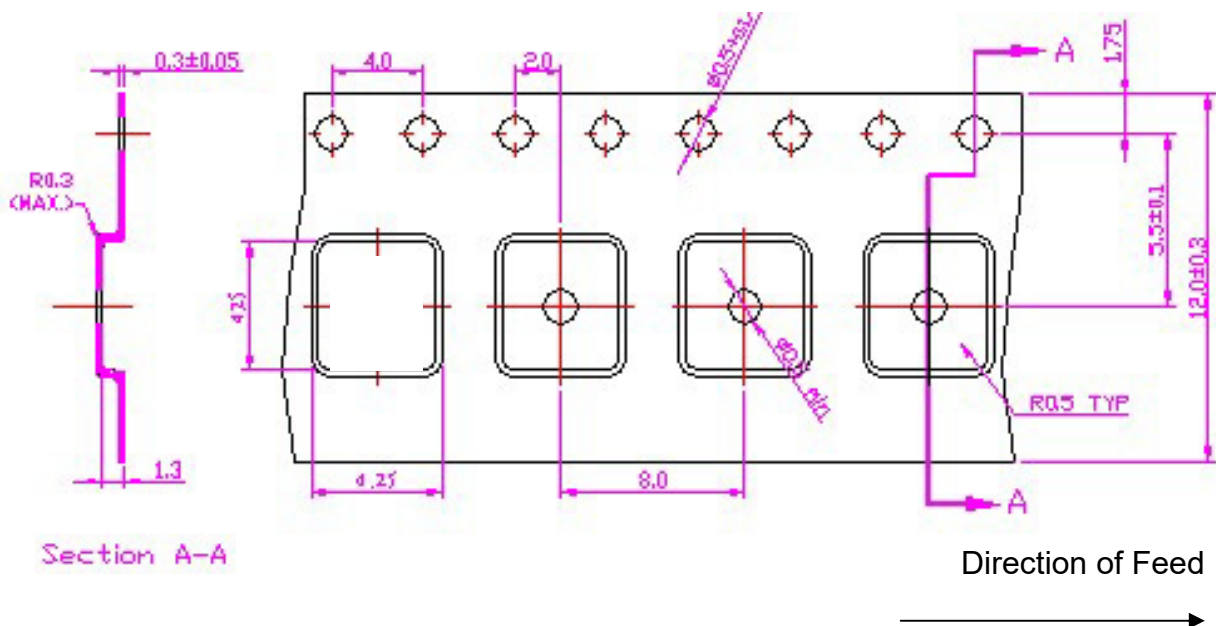
Model: TA0577B
Rev. No: 1

G. PACKING:

1. Reel Dimensions



2. Tape Dimensions



SAW Filter: 428.0MHz
Part No: MP11519

Model: TA0577B
Rev. No: 1

H. RECOMMENDED REFLOW PROFILE:

1. Preheating shall be fixed at 150~180°C for 60~90 seconds.
2. Ascending time to preheating temperature 150°C shall be 30 seconds min.
3. Heating shall be fixed at 220°C for 50~80 seconds and at 260°C +0/-5°C peak (20~40sec).
4. Time: 2 times.

