

SAW Filter 1209.5 MHz
Part No: MP11473

Model: TA1106B
Rev No: 1

Electrostatic Sensitive Device (ESD)

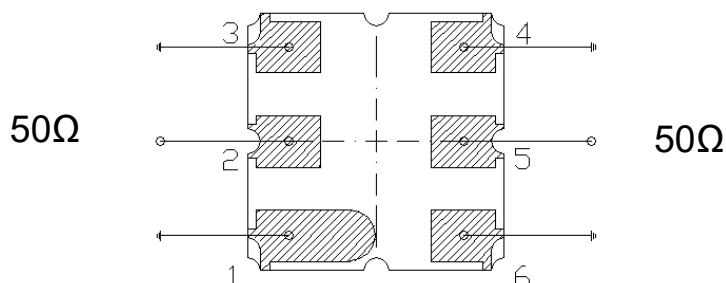
A. MAXIMUM RATING:

1. Input Power Level: 10 dBm
2. DC Voltage: +/- 3 V
3. Operating temperature range: -40 °C to +85 °C
4. Storage temperature range: -40 °C to +85 °C
5. Moisture Sensitivity Level: Level 1 (MSL 1)

B. ELECTRICAL CHARACTERISTICS:

Item	Unit	Min.	Typ.	Max.
Center frequency Fc	MHz	-	1209.5	-
Insertion loss (1166~1253 MHz) IL	dB	-	3.6	4.5
Pass Band Ripple (1166~1253 MHz)	dB	-	1.1	2.0
Group Delay Variation (1166~1253 MHz)	ns	-	8	15
Return loss (1166~1253 MHz)	dB	6	8.5	-
Attenuation (Reference level from 0dB)				
10~310 MHz	dB	30	35	-
310~1020 MHz	dB	24	29	-
1020~1120 MHz	dB	28	34	-
1280~1310 MHz	dB	4	9	-
1310~1670 MHz	dB	28	33	-
1670~2000 MHz	dB	25	30	-
Source impedance Zs	Ω	-	50	-
Load impedance ZL	Ω	-	50	-

C. MEASUREMENT CIRCUIT:

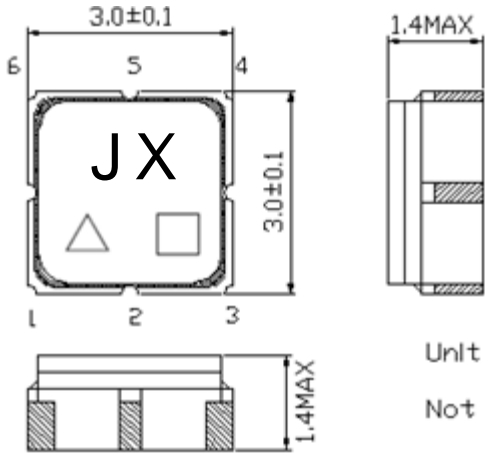


(2): Unbalance Port
 (5): Unbalance Port
 Others: Ground

SAW Filter 1209.5 MHz
Part No: MP11473

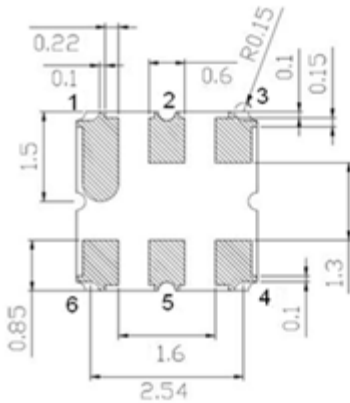
Model: TA1106B
Rev No: 1

D. OUTLINE DRAWING:



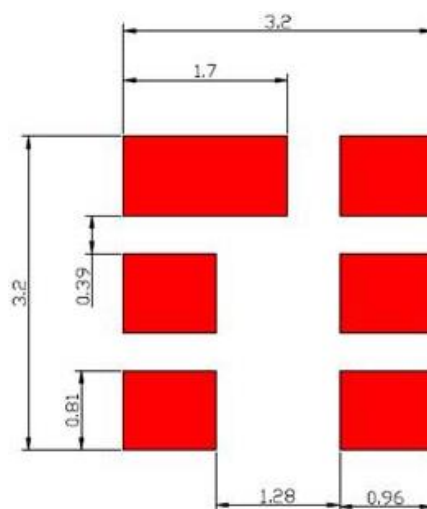
Unit : mm

Not Specified Tolerance : ± 0.15 mm



Pin No.	Symbol	Function
1	GND	Ground
2	IN	Input
3	GND	Ground
4	GND	Ground
5	OUT	Output
6	GND	Ground

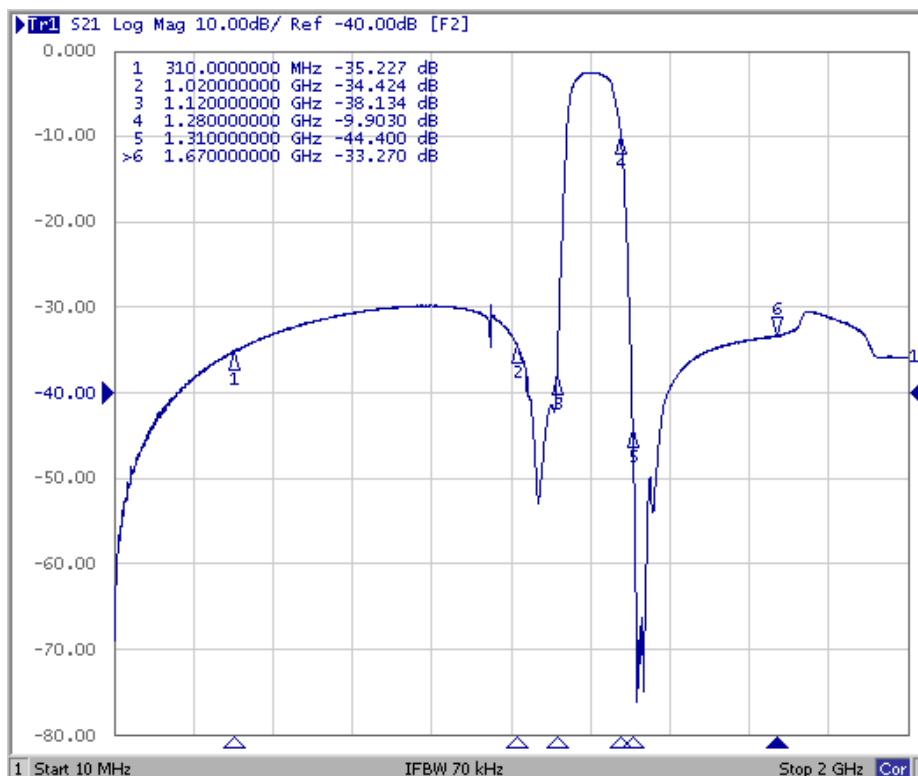
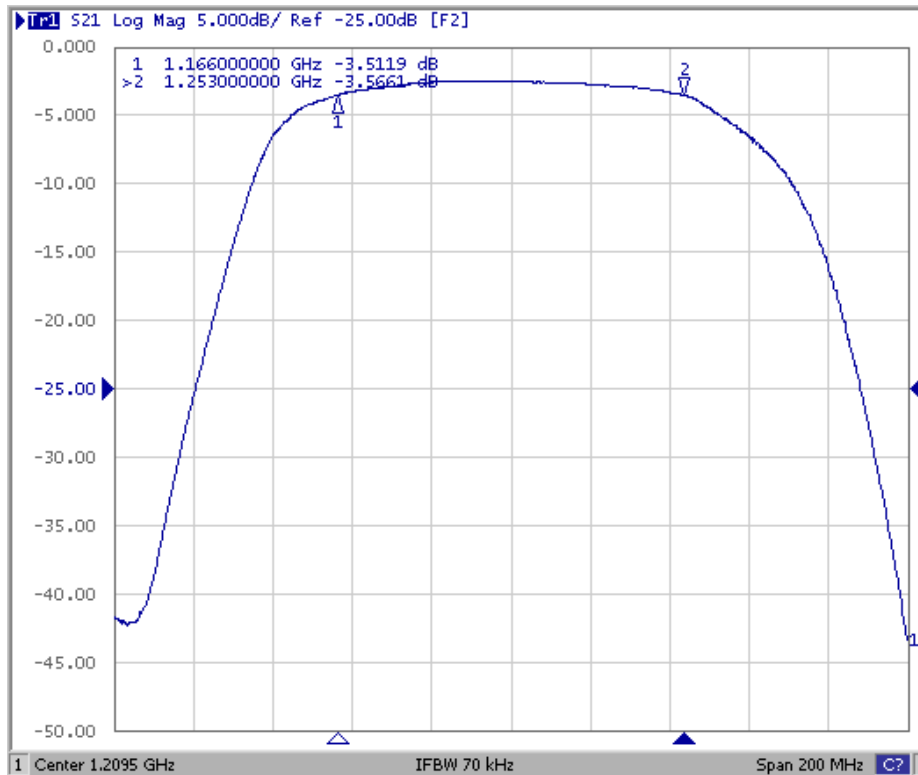
E. PCB Footprint:



SAW Filter 1209.5 MHz
Part No: MP11473

Model: TA1106B
Rev No: 1

F. TRANSFER FUNCTION:

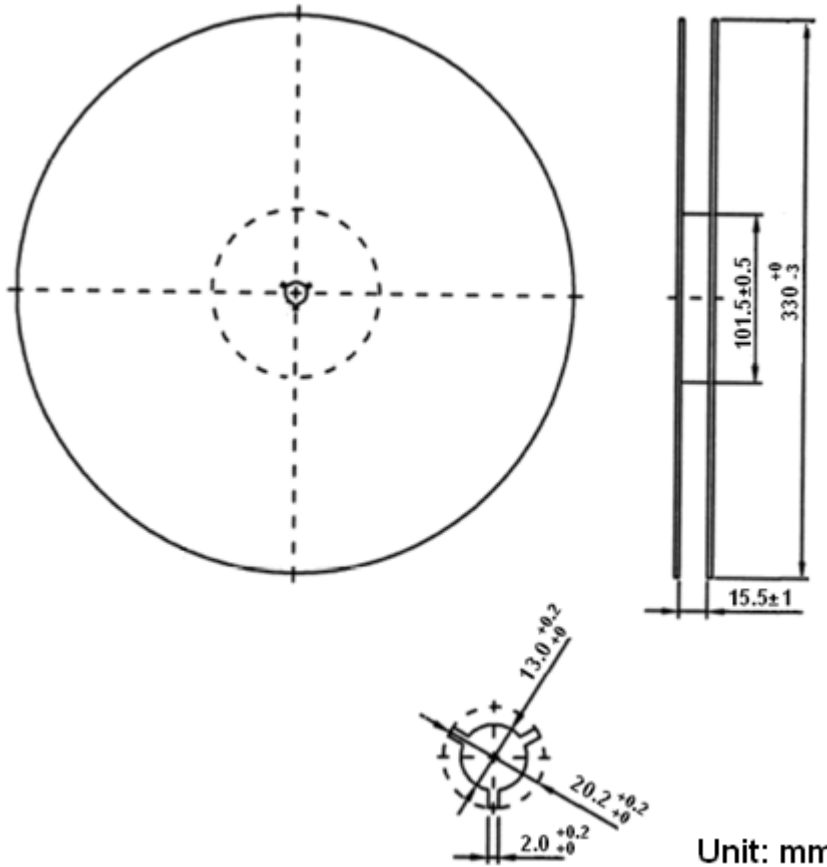


SAW Filter 1209.5 MHz
Part No: MP11473

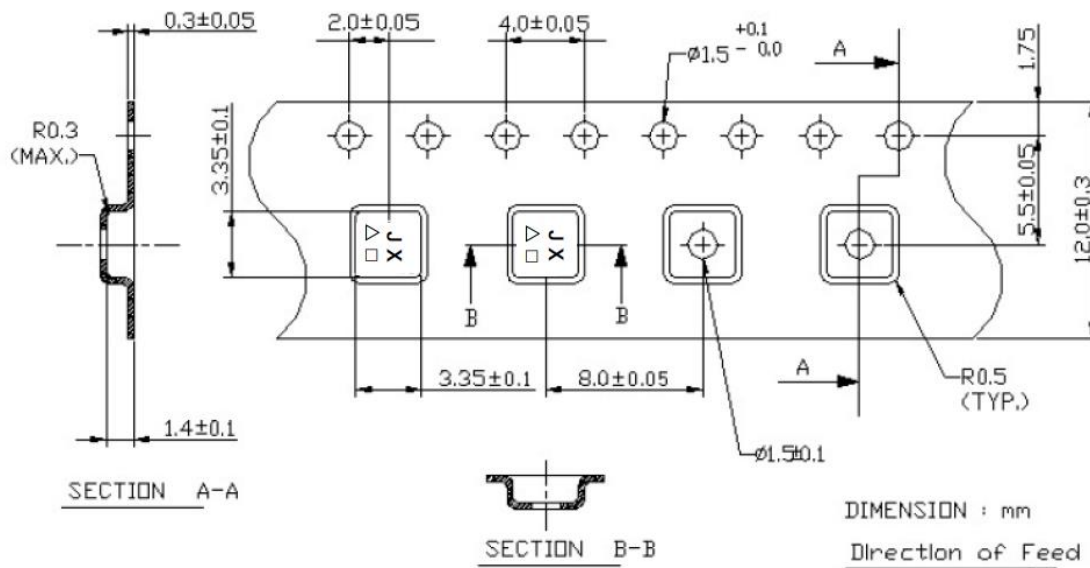
Model: TA1106B
Rev No: 1

G. PACKING:

1. REEL DIMENSION



2. TAPE DIMENSION



SAW Filter 1209.5 MHz
Part No: MP11473

Model: TA1106B
Rev No: 1

H. Recommended Reflow Profile:

1. Preheating shall be fixed at 150~180°C for 60~90 seconds.
2. Ascending time to preheating temperature 150°C shall be 30 seconds min.
3. Heating shall be fixed at 220°C for 50~80 seconds and at 260°C+0/-5°C peak (20~40sec).
4. Time: 2 times.

