

SAW Filter 806 MHz SMD 1.1X0.9 mm (BW=30 MHz)
Part No: MP11471

Model: TA2041C
Rev No: 1

Electrostatic Sensitive Device (ESD)

A. MAXIMUM RATING:

1. Input Power Level: 10 dBm
2. DC Voltage: +/- 5 V
3. Operating temperature range: -40 °C to +85 °C
4. Storage temperature range: -55 °C to +125 °C
5. Moisture Sensitivity Level: Level 3 (MSL 3)
6. ESD: 100V(MM) 200V(HBM)

B. ELECTRICAL CHARACTERISTICS:

Terminating source impedance: $Z_s = 50$

Terminating load impedance: $Z_L = 50$

Parameters Description		Unit	Min	Typ	Max	Remarks
Insertion Loss	791~ 821MHz	Db(*1)	-	2.7	3.8	
Amplitude ripple	791~ 821MHz	dB	-	1.4	2.6	
VSWR	Input	791~ 821MHz	-	2.1	2.4	
	Output	791~ 821MHz	-	2.1	2.4	
Attenuation:						
832 ~ 862 MHz		dB	37	41	-	
1559 ~ 1607 MHz		dB	40	45	-	
1582 ~ 1642 MHz		dB	40	45	-	
2373 ~ 2463 MHz		dB	30	37	-	
2400 ~ 2500 MHz		dB	30	37	-	
3164 ~ 3284 MHz		dB	25	34	-	
3955 ~ 4105 MHz		dB	20	31	-	
4746 ~ 4926 MHz		dB	20	29	-	
4900 ~ 5950 MHz		dB	20	26	-	
5537 ~ 5747 MHz		dB	20	27	-	
6328 ~ 6568 MHz		dB	20	25	-	
7119 ~ 7389 MHz		dB	15	23	-	
Input impedance		Ω	50			single-ended
Output impedance		Ω	50			single-ended

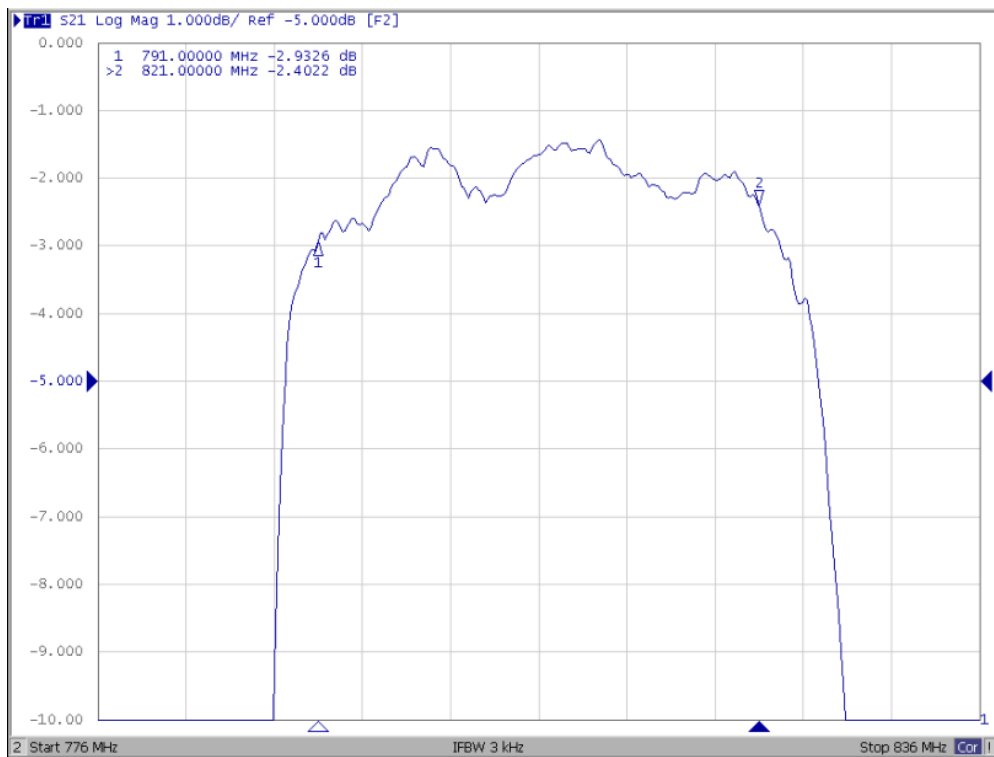
(*1) Specification of insertion loss excludes loss that comes from the test board.

SAW Filter 806 MHz SMD 1.1X0.9 mm (BW=30 MHz)
Part No: MP11471

Model: TA2041C
Rev No: 1

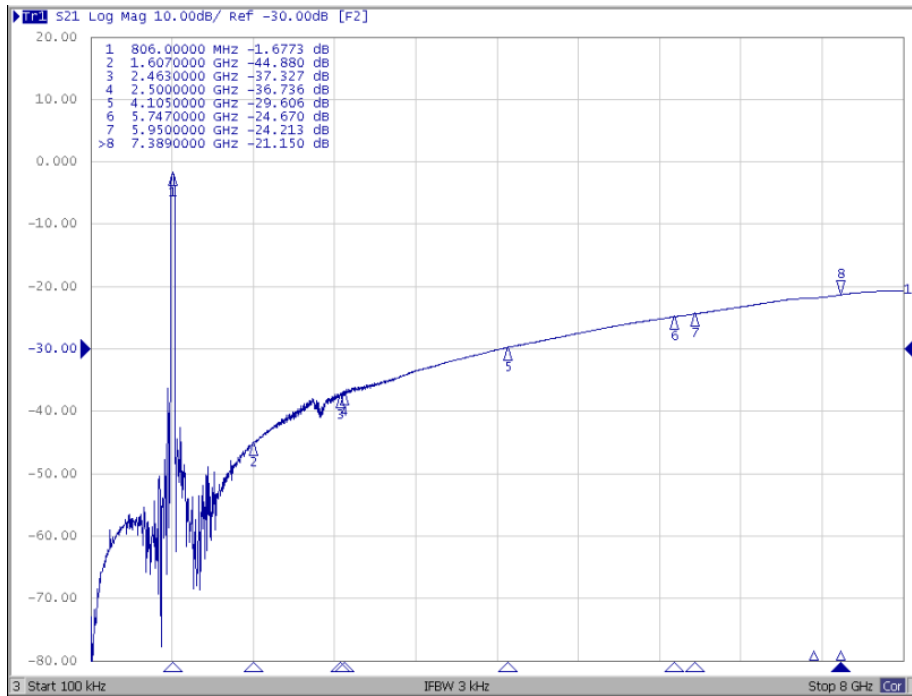
C. FREQUENCY CHARACTERISTICS:

Passband



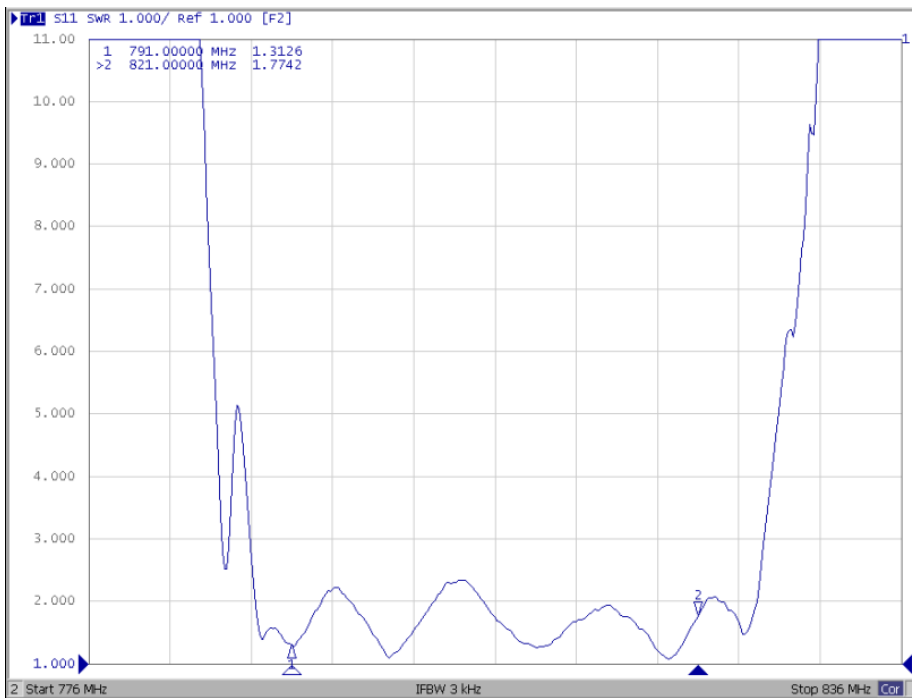
SAW Filter 806 MHz SMD 1.1X0.9 mm (BW=30 MHz)
Part No: MP11471

Model: TA2041C
Rev No: 1



Reflection functions:

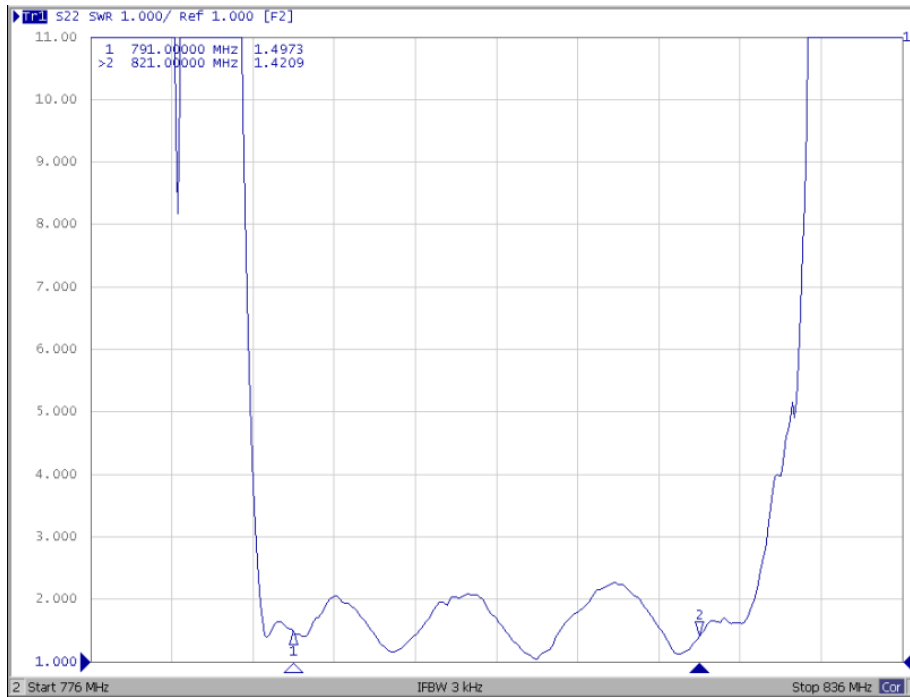
S11 VSWR



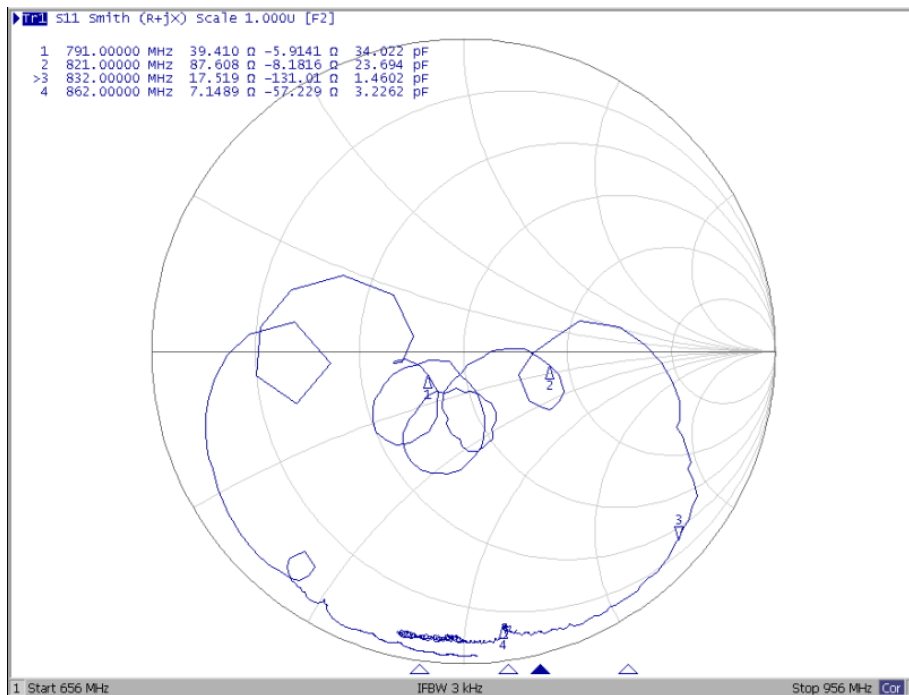
SAW Filter 806 MHz SMD 1.1X0.9 mm (BW=30 MHz)
Part No: MP11471

Model: TA2041C
Rev No: 1

S22 VSWR



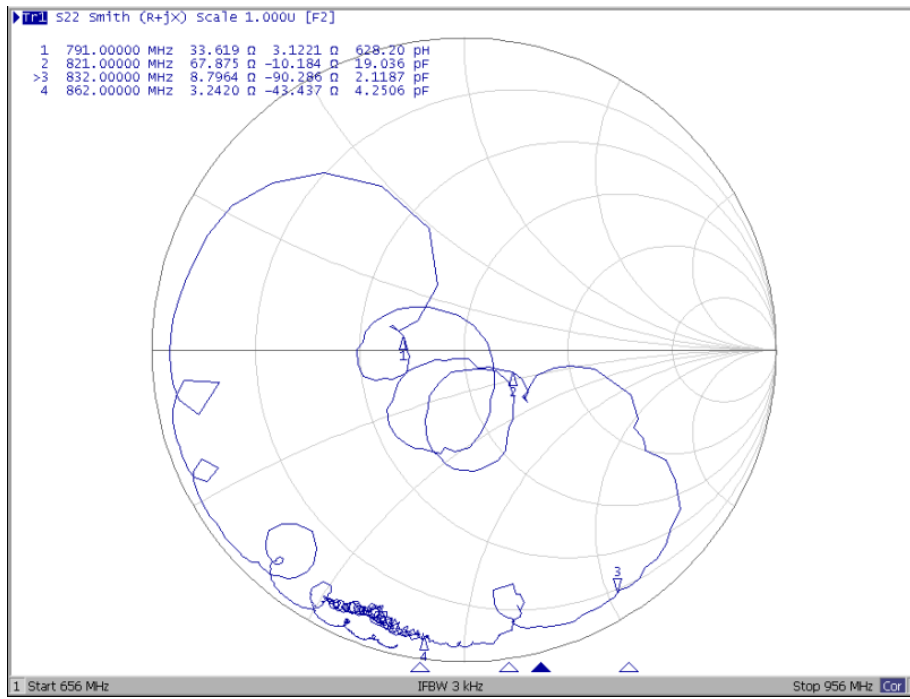
S11 Smith Chart



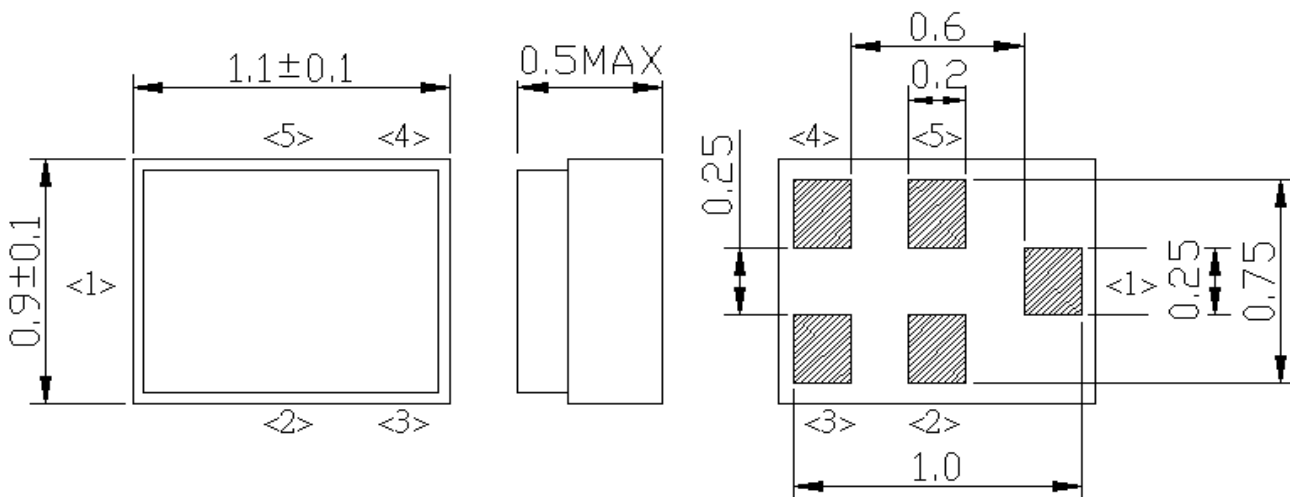
SAW Filter 806 MHz SMD 1.1X0.9 mm (BW=30 MHz)
Part No: MP11471

Model: TA2041C
Rev No: 1

S22 Smith Chart



D. OUTLINE DRAWIN:



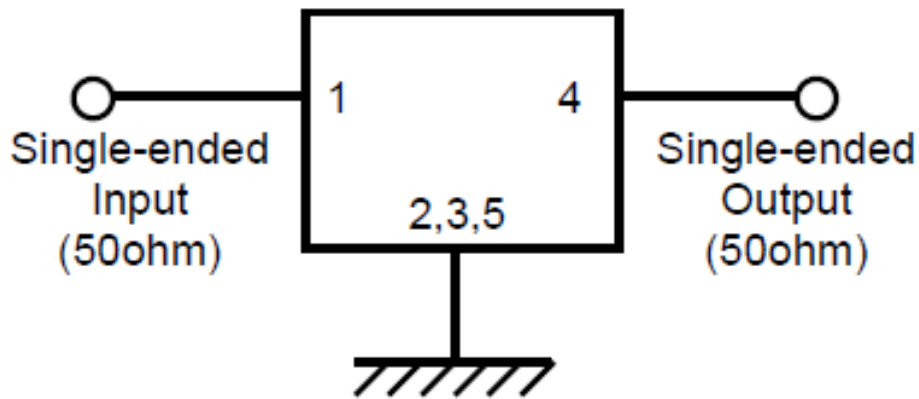
SAW Filter 806 MHz SMD 1.1X0.9 mm (BW=30 MHz)
Part No: MP11471

Model: TA2041C
Rev No: 1

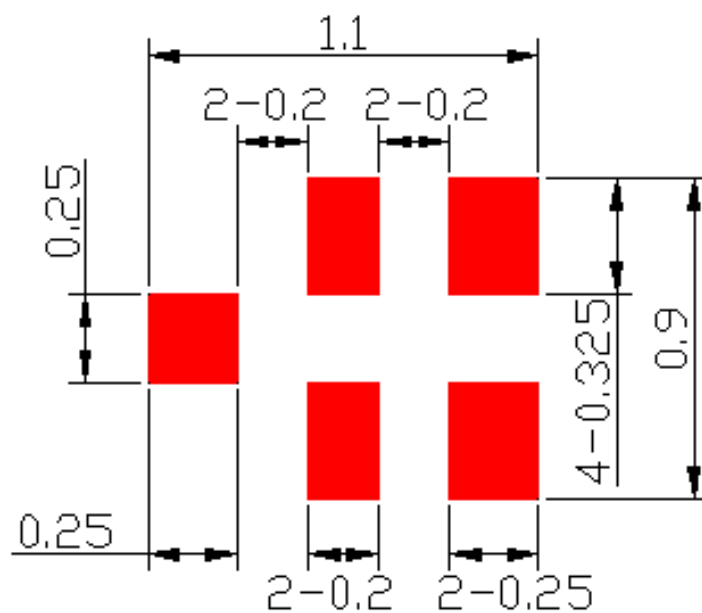
Pin Configuration

Pin No.	Symbol	Function
1	IN	Single-ended pin
2	GND	Ground
3	GND	Ground
4	OUT	Single-ended pin
5	GND	Ground

E. EVALUATION CIRCUIT:



F. PCB FOOTPRINT:

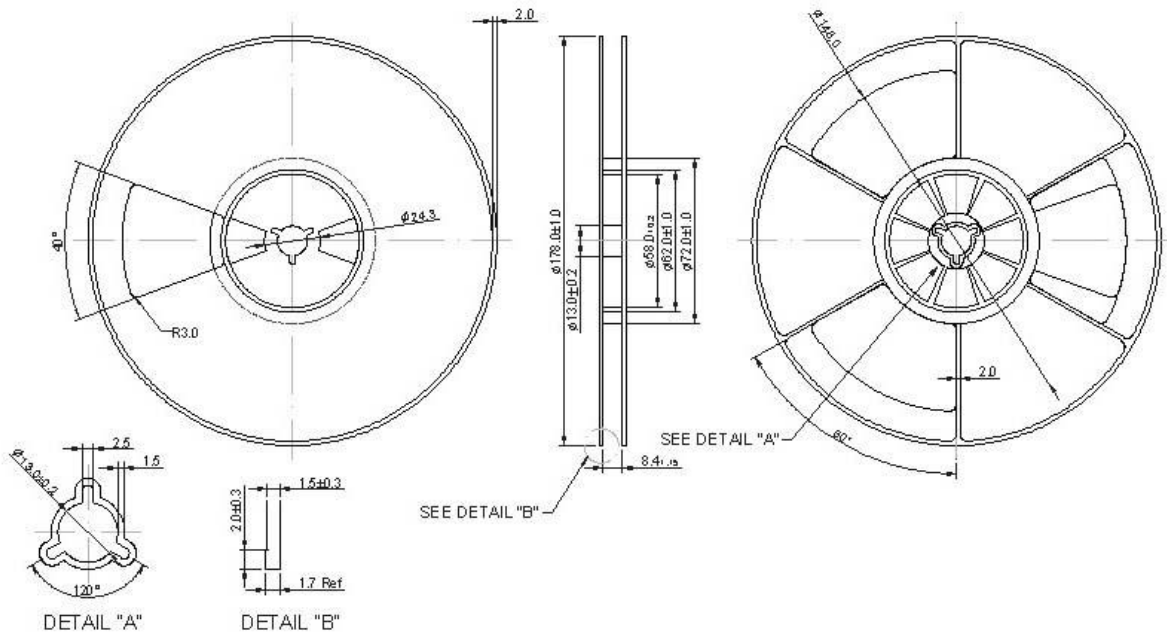


SAW Filter 806 MHz SMD 1.1X0.9 mm (BW=30 MHz)
Part No: MP11471

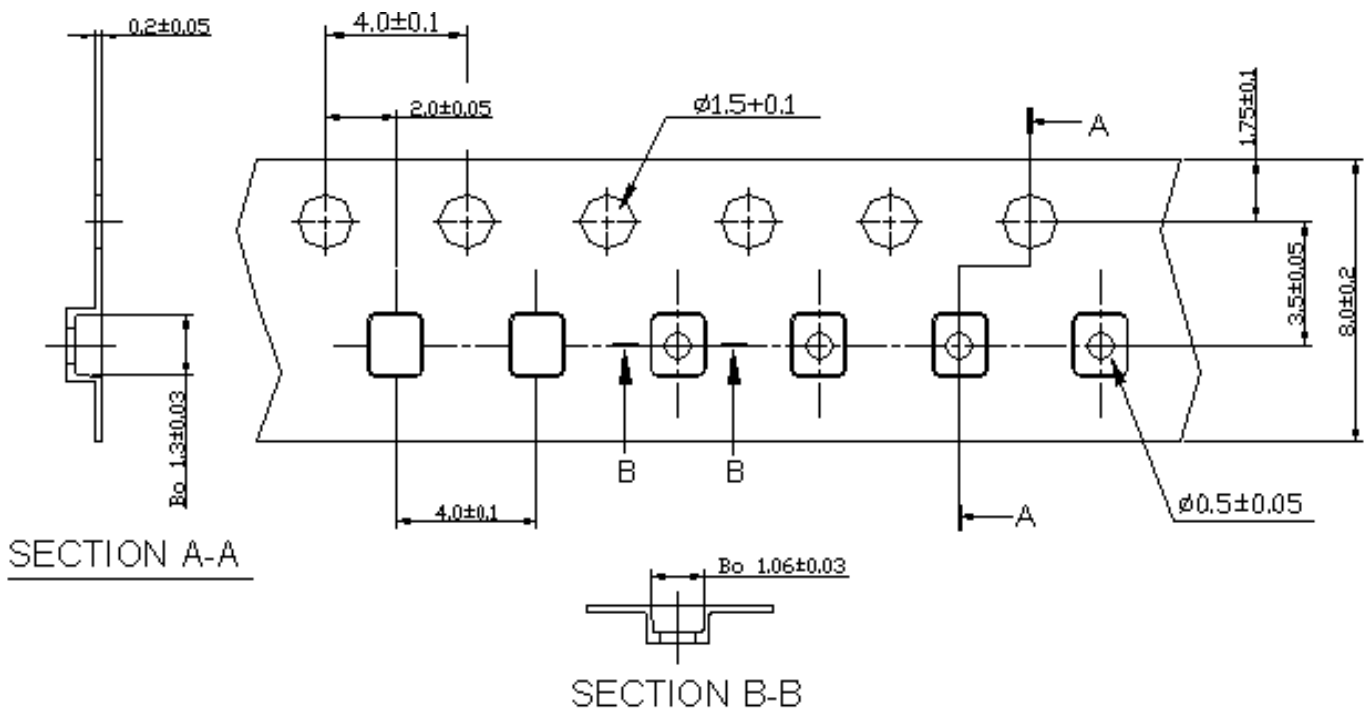
Model: TA2041C
Rev No: 1

G. PACKING:

1. Reel dimension



2. Tape dimension



SAW Filter 806 MHz SMD 1.1X0.9 mm (BW=30 MHz)
Part No: MP11471

Model: TA2041C
Rev No: 1

H. RECOMMENDED REFLOW PROFILE:

1. Preheating shall be fixed at 150~180°C for 60~90 seconds.
2. Ascending time to preheating temperature 150°C shall be 30 seconds min.
3. Heating shall be fixed at 220°C for 50~80 seconds and at 245~260°C peak (min. 10sec).
4. Time: 2 times.

