

CC7A-T1A

High Frequency SM Crystal for Military and Defence -55+125°C



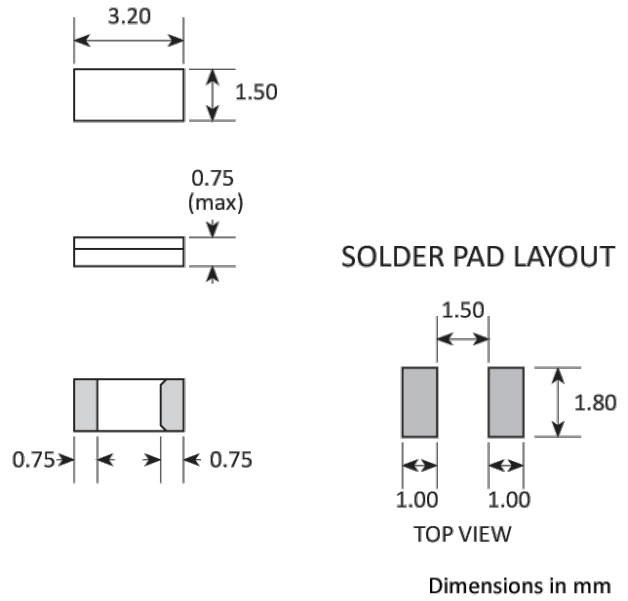
- Fundamental mode
- High shock & vibration resistance
- Military temperature range -55+125°C option
- Low power consumption

CONFIGURABLE OPTIONS

Parameter	Option Code
Frequency	
Calibration tolerance	
±50ppm	
Temperature stability / range	
Any	
±50ppm over -40 to +85°C	TA
±80ppm over -40 to +125°C	TB
±100ppm over -55 to +125°C	TC
Circuit condition	
Any	
3pF	
9pF	
16pF	

SPECIFICATIONS

Frequency range	20.0 ~ 50.0MHz
Dimensions	3.2 x 1.5 x 0.75mm
Storage temperature range	-55 to +125°C
Static capacitance (C ₀)	0.7pF typ
Motional capacitance (C ₁)	2.0fF typ, 3.0fF max
Equivalent series resistance	40Ω typ, 100Ω max (20.0 ~ 31.99MHz) 25Ω typ, 60Ω max (32.0 ~ 50.00MHz)
Ageing	±3ppm max first year
Drive level	100μW typ, 250μW max
Shock resistance	5,000g, 0.3ms, ½ sine
Vibration resistance	20g, 10.0 ~ 2,000Hz
Terminations	Gold plated pads
Soldering condition	Reflow, 260°C, 20 sec max
Net mass	9.2mg

PACKAGE DRAWING


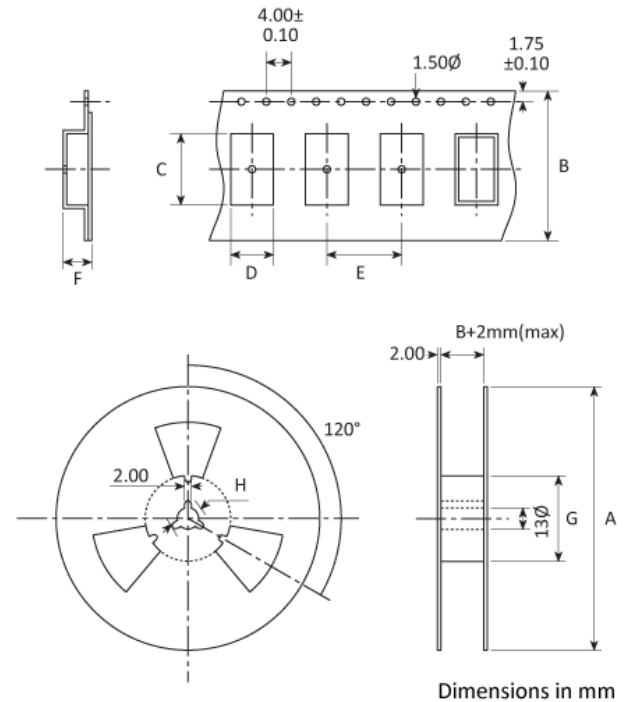
ORDERING INFORMATION

To request a quotation for the CC7A-T1A please use the configurable options form to choose the options you require and then submit your configured product to our team. Our expert advisers are always happy to help with your requirements and can be contacted on +44 1460 256 100 or at sales@golledge.com.

Following product selection you will be issued with a seven character Golledge part number. Your Golledge part number is the internationally accepted Golledge manufacturing part number (MPN) that should be used for all project documentation, including bills of materials (BoMs) and purchase orders.

If you have any queries regarding any of our documentation our dedicated sales team will be happy to help.

TAPE & REEL SPECIFICATION



A:178* B:12 C:3.5 D:1.8 E:4 F:1.1 G:80 H:21

*Larger reel size available. Please ask for details

HANDLING & STORAGE



Human Body Model (HBM) 1A (250V to <500V)



Moisture Sensitivity Level (MSL): 1 (or not applicable)

CONSTRUCTION

Ceramic base and lid

COMPLIANCE



Lead-free (< 0.1% by weight)



RoHS compliant with no exemptions. [See our](#)

[declaration](#)



REACH compliant. [See our statement](#)



Free of conflict minerals. [See our declaration](#)



Free of Halogens. [See our declaration](#)



Free of Ozone-depleting substances. [See our](#)

[declaration](#)