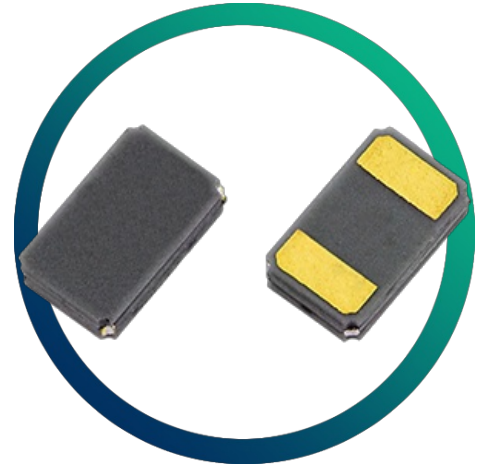


# CC8A-T1A

## High Frequency Fundamental Mode SM Crystal -55+125°C



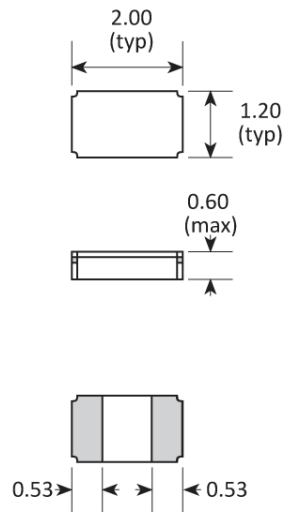
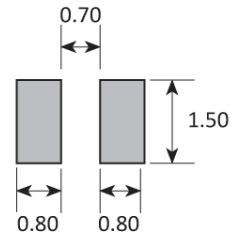
- Fully ceramic package
- Military temperature range -55+125°C option
- High stability & low ageing
- High shock & vibration resistance
- Fundamental mode up to 50MHz

### CONFIGURABLE OPTIONS

Parameter	Option Code
Frequency	
Temperature stability	
Any	
±50ppm over -40 to +85°C	TA
±80ppm over -40 to +125°C	TB
±100ppm over -55 to +125°C	TC
Circuit condition	
Any	
3pF	
9pF	
16pF	

**SPECIFICATIONS**

Frequency range	24.0 ~ 50.0MHz
Dimensions	2.0 x 1.2 x 0.6mm
Calibration tolerance (@ 25°C)	±50ppm
Storage temperature range	-55 to +125°C
Oscillation mode	Fundamental
Equivalent series resistance	40Ω typ, 100Ω max (24.0 ~ 27.99MHz) 30Ω typ, 80Ω max (28.0 ~ 39.99MHz) 20Ω typ, 60Ω max (40.0 ~ 50.0MHz)
Motional capacitance (C <sub>1</sub> )	1fF typ, 3fF max
Static capacitance (C <sub>0</sub> )	0.7pF typ
Ageing	±3ppm max first year
Test drive level	100μW typ, 250μW max
Shock resistance	5,000g, 0.3ms, ½ sine
Vibration resistance	20g rms 10.0 ~ 2,000Hz
Terminations	Gold flashed pads
Soldering condition	260°C, 20s max
Net mass	4.2mg

**PACKAGE DRAWING**

**SOLDER PAD LAYOUT**


TOP VIEW

Dimensions in mm

## ORDERING INFORMATION

To request a quotation for the CC8A-T1A please use the configurable options form to choose the options you require and then submit your configured product to our team. Our expert advisers are always happy to help with your requirements and can be contacted on +44 1460 256 100 or at [sales@golledge.com](mailto:sales@golledge.com).

Following product selection you will be issued with a seven character Golledge part number. Your Golledge part number is the internationally accepted Golledge manufacturing part number (MPN) that should be used for all project documentation, including bills of materials (BoMs) and purchase orders.

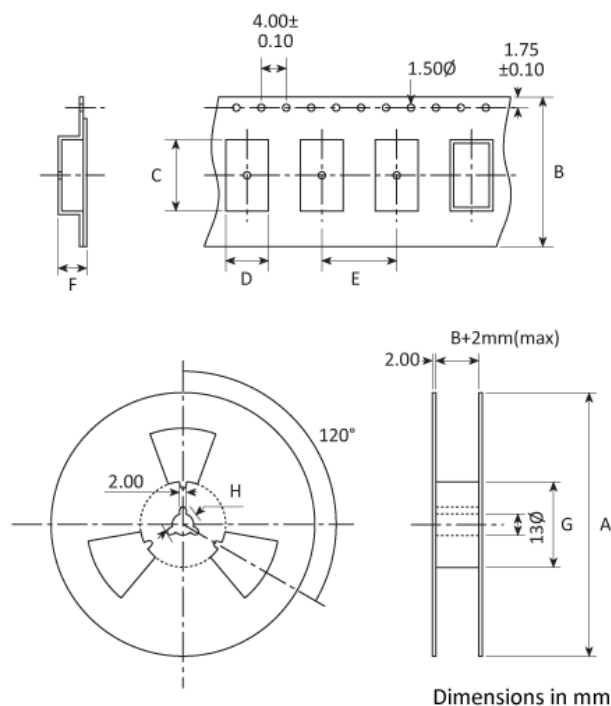
If you have any queries regarding any of our documentation our dedicated sales team will be happy to help.

## APPLICATIONS

The CC8A-T1A crystal is ideal for a range of applications including:

- Telemetry
- Optical networks
- Airborne equipment
- Healthcare and medical
- Radio communications

## TAPE & REEL SPECIFICATION



A:178 B:8 C:2.2 D:1.4 E:4 F:0.9 G:61.5 H:21

## HANDLING & STORAGE



Human Body Model (HBM) 1A (250V to <500V)



Moisture Sensitivity Level (MSL): 1 (or not applicable)

## CONSTRUCTION

---

Ceramic base and lid

## COMPLIANCE

---



Lead-free (< 0.1% by weight )



RoHS compliant with no exemptions. [See our declaration](#)



REACH compliant. [See our statement](#)



Free of conflict minerals. [See our declaration](#)



Free of Halogens. [See our declaration](#)



Free of Ozone-depleting substances. [See our declaration](#)