

# CM7V03-T1A

## Low Profile SM 32.768Khz Watch Crystal with Military Temperature Range



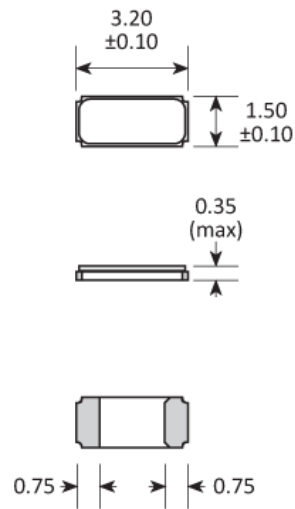
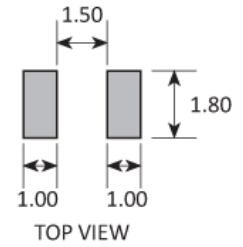
- Ultra low profile (0.35mm)
- Miniature ceramic package with metal lid
- High shock & vibration resistance
- Low power consumption

### CONFIGURABLE OPTIONS

Parameter	Option Code
<b>Operating temperature range</b>	
Any	
-40 to +85 °C	
-40 to +125 °C	E
-55 to +125 °C	M
<b>Circuit condition</b>	
Any	
7pF	
9pF	
12.5pF	

**SPECIFICATIONS**

Frequency	32.768kHz
Dimensions	3.2 x 1.5 x 0.35mm
Calibration tolerance	±20ppm
Operating temperature range	-40 to +85 °C
Storage temperature range	-55 to +125 °C
Static capacitance (C <sub>0</sub> )	1.4pF typ
Motional capacitance (C <sub>1</sub> )	3.5fF typ
Equivalent series resistance	55kΩ typ, 80kΩ max @ 25 °C
Ageing	±3ppm max first year
Drive level	0.5μW max
Turnover temperature (T <sub>0</sub> )	+25 °C ±5 °C
Frequency / temp coefficient	-0.035ppm/°C <sup>2</sup> ±10%
Shock resistance	±5ppm, 5,000g, 0.3ms, ½ sine
Vibration resistance	±5ppm, 20g, 10.0 ~ 2,000Hz
Terminations	Gold plated pads
Soldering condition	Reflow, 260 °C, 20 sec max

**PACKAGE DRAWING**

**SOLDER PAD LAYOUT**


Dimensions in mm

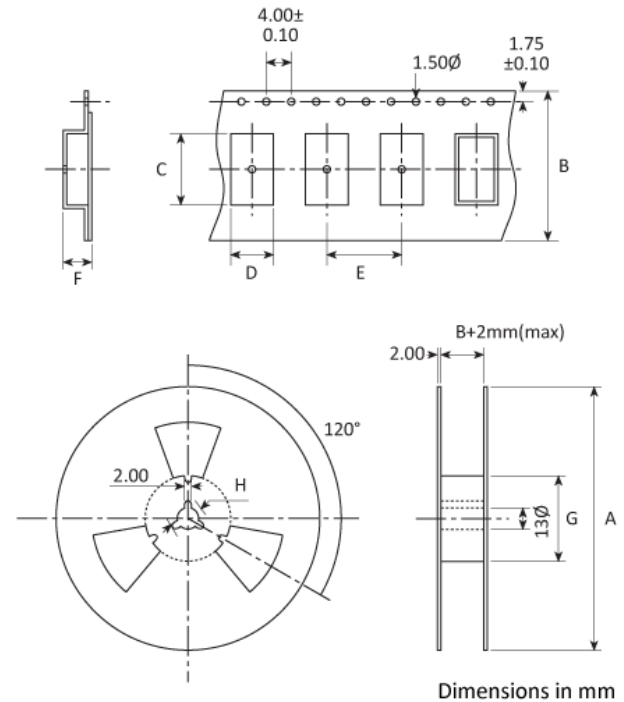
## ORDERING INFORMATION

To request a quotation for the CM7V03-T1A please use the configurable options form to choose the options you require and then submit your configured product to our team. Our expert advisers are always happy to help with your requirements and can be contacted on +44 1460 256 100 or at [sales@golledge.com](mailto:sales@golledge.com).

Following product selection you will be issued with a seven character Golledge part number. Your Golledge part number is the internationally accepted Golledge manufacturing part number (MPN) that should be used for all project documentation, including bills of materials (BoMs) and purchase orders.

If you have any queries regarding any of our documentation our dedicated sales team will be happy to help.

## TAPE & REEL SPECIFICATION



A:178\* B:12 C:3.5 D:1.8 E:4 F:1.1 G:80 H:21

\*Larger reel size available. Please ask for details

## HANDLING & STORAGE



Human Body Model (HBM) 1A (250V to <500V)



Moisture Sensitivity Level (MSL): 1 (or not applicable)

## CONSTRUCTION

Ceramic base with metal lid

## COMPLIANCE

---



Lead-free (< 0.1% by weight)



RoHS compliant with no exemptions. [See our](#)

[declaration](#)



REACH compliant. [See our statement](#)



Free of conflict minerals. [See our declaration](#)



Free of Halogens. [See our declaration](#)



Free of Ozone-depleting substances. [See our](#)

[declaration](#)

## OTHER INFORMATION

---

The CM7V03-T1A was previously named CM7V04-T1A.