

CM9V03-T1A

1610 Package Low Profile 32.768kHz SM Watch Crystal



- Ultra low profile - 0.35mm
- High shock & vibration resistance
- Extended temperature range option
- Ultra-miniature 1610 form factor package
- Low power consumption

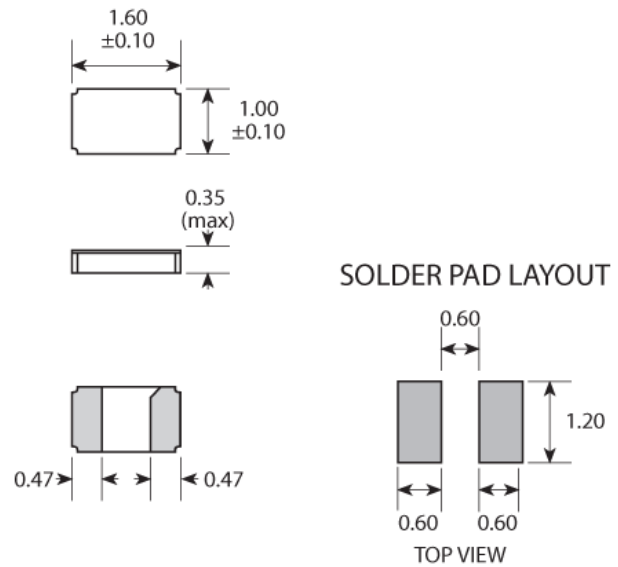
CONFIGURABLE OPTIONS

Parameter	Option Code
Calibration tolerance	
±20ppm	
±100ppm	
Operating temperature range	
Any	
-40 to +85 °C	
-40 to +125 °C	E
-55 to +125 °C	M
Circuit condition	
Any	
4pF	
6pF	
7pF	
9pF	
12.5pF	

SPECIFICATIONS

Frequency	32.768kHz
Dimensions	1.6 x 1.0 x 0.35mm
Storage temperature range	-55 to +125 °C
Static capacitance (C ₀)	1.4pF typ
Motional capacitance (C ₁)	6.0fF typ
Equivalent series resistance (ESR)	90kΩ max @ 25 °C
Ageing	±3ppm max first year
Drive level	0.5μW max
Turnover temperature (T ₀)	+25 °C ±5 °C
Frequency / temp coefficient	-0.035ppm/°C ² typ
Shock resistance	±5ppm, 5,000g, 0.3ms, ½ sine
Vibration resistance	±5ppm, 20g, 10.0 ~ 2,000Hz
Terminations	Gold plated pads
Soldering condition	Reflow, 260 °C, 20-40 seconds
Net mass	2.21mg

PACKAGE DRAWING



Dimensions in mm

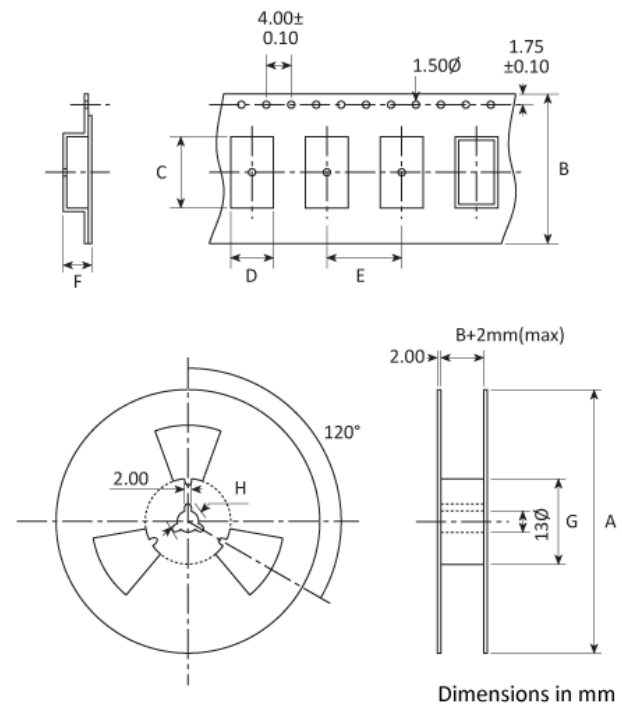
ORDERING INFORMATION

To request a quotation for the CM9V03-T1A please use the configurable options form to choose the options you require and then submit your configured product to our team. Our expert advisers are always happy to help with your requirements and can be contacted on +44 1460 256 100 or at sales@golledge.com.

Following product selection you will be issued with a seven character Golledge part number. Your Golledge part number is the internationally accepted Golledge manufacturing part number (MPN) that should be used for all project documentation, including bills of materials (BoMs) and purchase orders.

If you have any queries regarding any of our documentation our dedicated sales team will be happy to help.

TAPE & REEL SPECIFICATION



A:178 B:8 C:1.8 D:1.2 E:4 F:0.5 G:61.5 H:21

HANDLING & STORAGE



Human Body Model (HBM) 1A (250V to <500V)



Moisture Sensitivity Level (MSL): 1 (or not applicable)

CONSTRUCTION

Ceramic base with metal lid

COMPLIANCE



Lead-free (< 0.1% by weight)



RoHS compliant with no exemptions. [See our](#)

[declaration](#)



REACH compliant. [See our statement](#)



Free of conflict minerals. [See our declaration](#)



Free of Halogens. [See our declaration](#)



Free of Ozone-depleting substances. [See our](#)

[declaration](#)