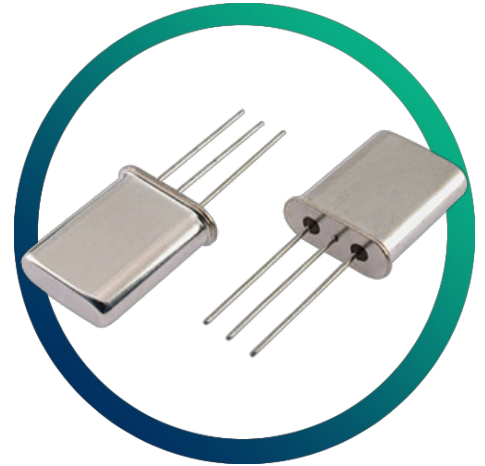


GMCF-10 10G7B

10.7MHz 4 pole crystal filter with
7.5kHz 3dB bandwidth



- Comprehensive stocks
- Custom specifications available

CONFIGURABLE OPTIONS

Parameter	Option Code
-----------	-------------

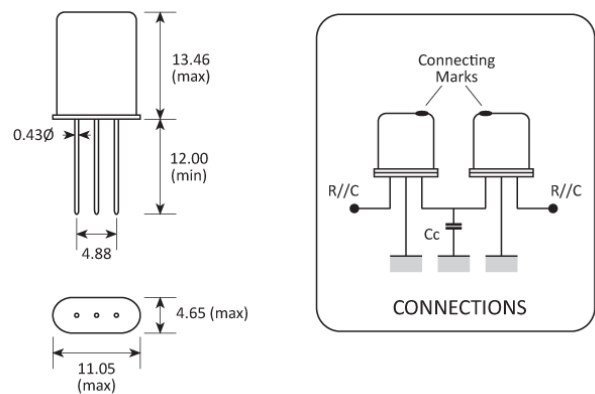
The GMCF-10 10G7B has no configurable options.

Please see the specifications table for more details or contact our team today if you have other specification requirements.

SPECIFICATIONS

Centre frequency	10.7MHz
Dimensions	11.05 x 4.65 x 13.46mm
Operating temperature range	-20 to +70°C
Number of poles	4
Pass band	-3dB @ ±3.75kHz min
Attenuation band	-40dB @ ±14.0kHz max
In-band ripple	1.0dB max
Insertion loss	2.5dB max
Guaranteed attenuation	-50dB max +300 ~ +1000kHz -70dB max -200 ~ -1000kHz
Termination	1800Ω // 5.0pF
Coupling capacitance (C _c)	11.0pF
Package style	HC49/3Lx2

PACKAGE DRAWING



Dimensions in mm

ORDERING INFORMATION

To request a quotation for the GMCF-10 10G7B please use the configurable options form to choose the options you require and then submit your configured product to our team. Our expert advisers are always happy to help with your requirements and can be contacted on +44 1460 256 100 or at sales@golledge.com.

Following product selection you will be issued with a seven character Golledge part number. Your Golledge part number is the internationally accepted Golledge manufacturing part number (MPN) that should be used for all project documentation, including bills of materials (BoMs) and purchase orders.

If you have any queries regarding any of our documentation our dedicated sales team will be happy to help.

HANDLING & STORAGE

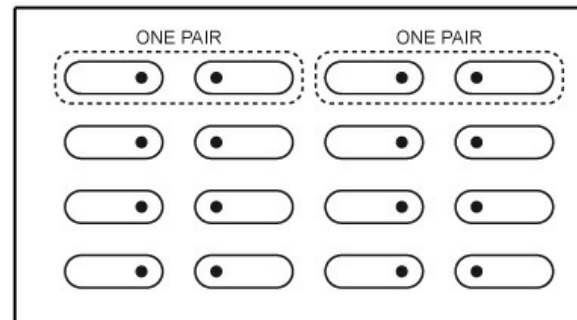


Human Body Model (HBM) 1A (250V to <500V)



Moisture Sensitivity Level (MSL): 1 (or not applicable)

Bulk-packed 4-pole filters: Pair alignment when boxed.



These filters are individually matched pairs. One filter is composed of two physical units, which have been factory-matched for optimum performance.

DO NOT MIX. Unmatched pairs will offer impaired performance.

For filters supplied in boxes, please refer to the above diagram.

Matched pairs may also be supplied in individual bags.

CONSTRUCTION

Resistance weld

COMPLIANCE



Lead-free (< 0.1% by weight)



RoHS compliant with no exemptions. [See our declaration](#)



REACH compliant. [See our statement](#)



Free of conflict minerals. [See our declaration](#)



Free of Halogens. [See our declaration](#)



Free of Ozone-depleting substances. [See our declaration](#)