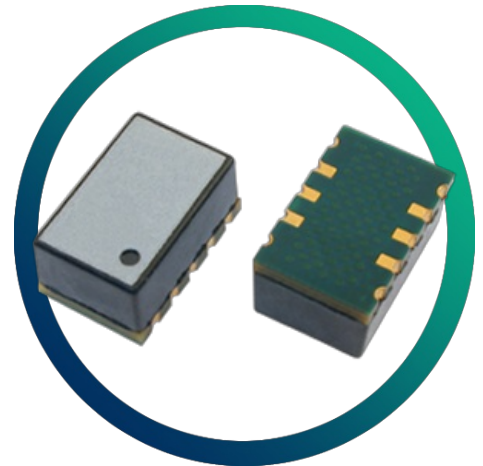


# GOXO-149

## 3.3V Surface Mount OCXO

- Miniature SM package - 50% smaller footprint than DIL-14
- Ideally suited for base stations, VSAT etc
- Outstanding phase noise characteristics
- 3.3V supply
- LVCMOS output

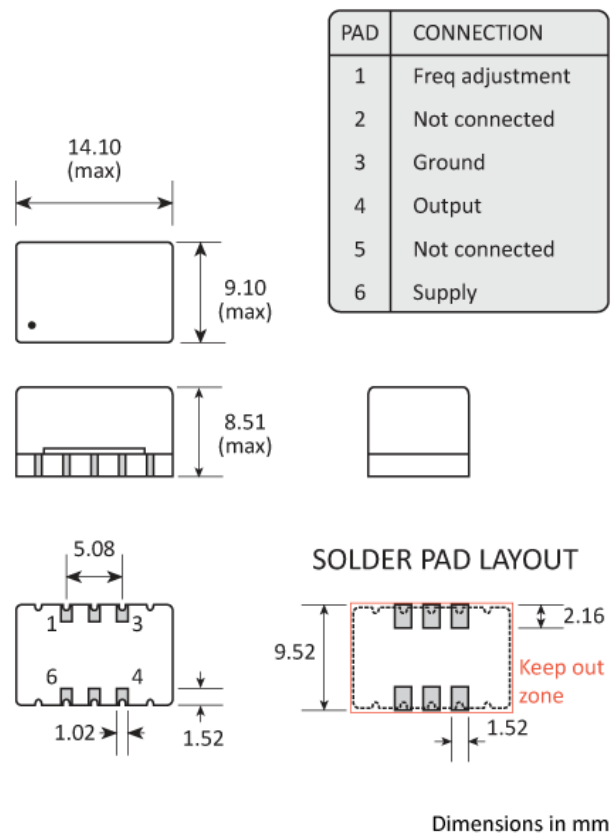


### CONFIGURABLE OPTIONS

Parameter	Option Code
Frequency	
Temperature stability	
Any	
< $\pm 2 \times 10^{-8}$	P
< $\pm 5 \times 10^{-8}$	N
< $\pm 1 \times 10^{-7}$	M
Operating temperature range	
Any	
0 to +70°C	E
-20 to +75°C	F
-40 to +70°C	G
-40 to +85°C	I
Frequency adjustment	
Any	
None	T
$\pm 10$ ppm, 1.65V $\pm$ 1.35V, positive slope, 5% linearity	V

**SPECIFICATIONS**

Frequency range	10.0 ~ 80.0MHz
Dimensions	14.10 x 9.10 x 8.51mm
Ageing (after 30 days)	< $\pm 1 \times 10^{-8}$ per day < $\pm 5 \times 10^{-7}$ first year
Calibration tolerance @ 25 °C	< $\pm 1 \times 10^{-6}$
Frequency stability	< $\pm 2 \times 10^{-8}$ per 5% change in load < $\pm 2 \times 10^{-8}$ per 5% change in $V_{DD}$
Overall stability*	$\pm 4.6 \times 10^{-6}$ max
Storage temperature range	-55 to +125 °C
Output waveform	15pF LVCMOS 45:55% @ 50% $V_{DD}$
Rise / fall times	6.5ns
Start up time	10ms
Supply voltage ( $V_{DD}$ )	+3.3V ( $\pm 5\%$ )
Power consumption (0+70 °C)	2.5W max at switch on 1.1W typ when stabilised at 25 °C
Warm up (to within spec)	60s at +25 °C 90s at -40 °C
Allan variance (1 sec)	< $\pm 1 \times 10^{-9}$
Phase noise (@ 10.0MHz)	< -100 dBc/Hz @ 10Hz < -128 dBc/Hz @ 100Hz < -145 dBc/Hz @ 1kHz < -151 dBc/Hz @ 10kHz < -154 dBc/Hz @ 100kHz
Phase jitter RMS	0.25ps typ, 0.35ps max, 12kHz~ $f_o/2$

**PACKAGE DRAWING**


**ORDERING INFORMATION**

To request a quotation for the GOXO-149 please use the configurable options form to choose the options you require and then submit your configured product to our team. Our expert advisers are always happy to help with your requirements and can be contacted on +44 1460 256 100 or at [sales@golledge.com](mailto:sales@golledge.com).

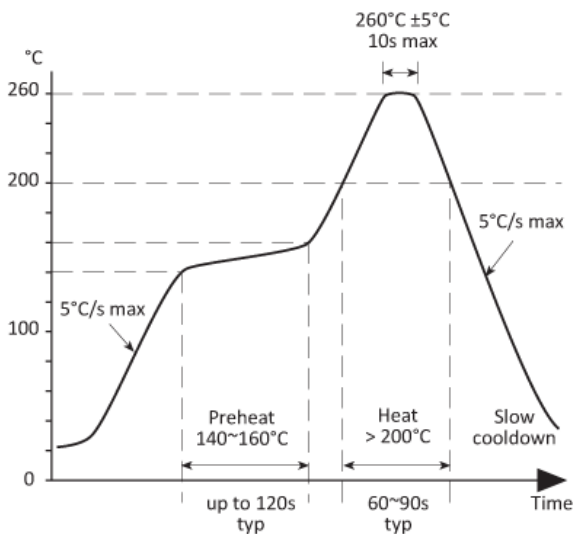
Following product selection you will be issued with a seven character Golledge part number. Your Golledge part number is the internationally accepted Golledge manufacturing part number (MPN) that should be used for all project documentation, including bills of materials (BoMs) and purchase orders.

If you have any queries regarding any of our documentation our dedicated sales team will be happy to help.

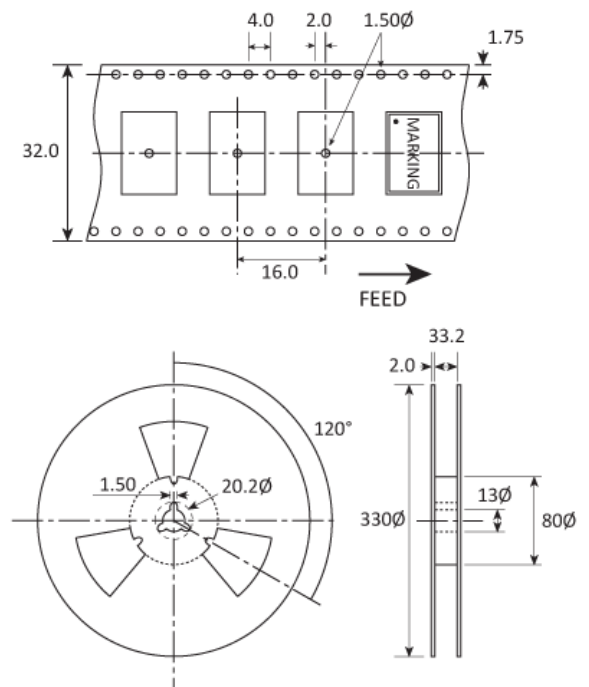
**MARKING**



**SOLDERING PROFILE**



**TAPE & REEL SPECIFICATION**



Dimensions in mm

## HANDLING & STORAGE

---



Human Body Model (HBM) 1A (250V to <500V)



Moisture Sensitivity Level (MSL): 1 (or not applicable)

## CONSTRUCTION

---

FR4 substrate, Ryton R4 cover, Water resistant, non hermetic seal

## COMPLIANCE

---

Please refer to our **DOCUMENTS** section for more information.



Lead-free (< 0.1% by weight )



RoHS compliant with no exemptions.



REACH compliant.



Free of conflict minerals.



Free from halogens.



Free from ozone-depleting substances.