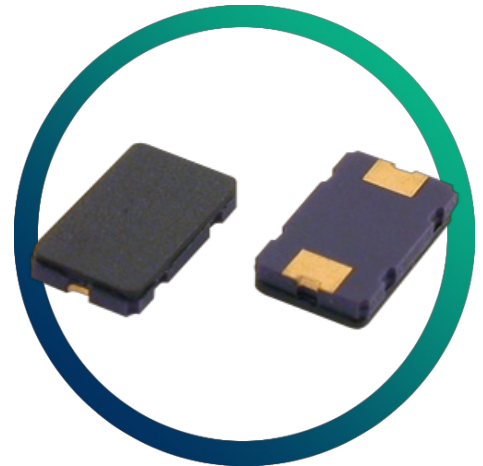


# GSX-8A

## Two Pad SM Crystal with Miniature Ceramic Package



- Ceramic SM package
- Fundamental mode up to 67.0MHz
- Low cost for volume applications
- Suitable for hand held applications

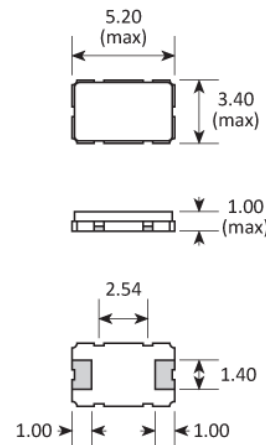
### CONFIGURABLE OPTIONS

Parameter	Option Code
<b>Frequency</b>	
<b>Calibration tolerance</b>	
Any	
±20ppm	2
±30ppm	3
±50ppm	5
<b>Temperature stability</b>	
Any	
±20ppm	2
±30ppm	3
±50ppm	5
<b>Operating temperature range</b>	
Any	
-10 to +60°C	1
-20 to +70°C	2
-30 to +80°C	3
-40 to +85°C	4
<b>Circuit condition</b>	
Any	
10pF	A
12pF	B
16pF	D
18pF	E
20pF	F
30pF	J

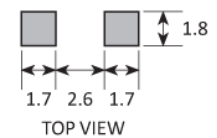
## SPECIFICATIONS

Frequency range	8.0 ~ 67.0MHz
Dimensions	5.0 x 3.2 x 1.0mm
Storage temperature range	-40 to +85°C
Static capacitance (C <sub>0</sub> )	7pF max
Equivalent series resistance	300Ω max (8.0 ~ 8.9MHz) 200Ω max (9.0 ~ 9.9MHz) 80Ω max (10.0 ~ 11.9MHz) 60Ω max (12.0 ~ 15.9MHz) 40Ω max (16.0 ~ 67.0MHz)
Ageing	±5ppm max first year
Drive level	100μW
Soldering condition	260°C, 10 sec x2 max

## PACKAGE DRAWING



### SOLDER PAD LAYOUTS



Dimensions in mm

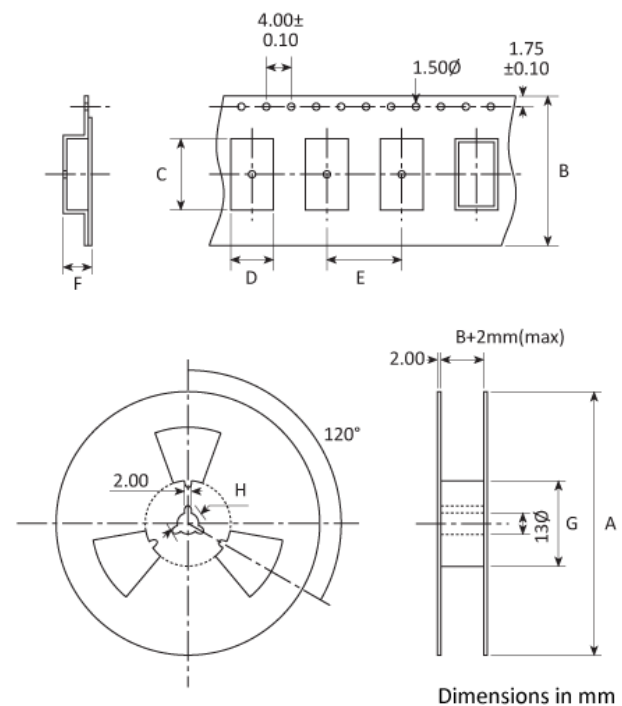
## ORDERING INFORMATION

To request a quotation for the GSX-8A please use the configurable options form to choose the options you require and then submit your configured product to our team. Our expert advisers are always happy to help with your requirements and can be contacted on +44 1460 256 100 or at [sales@golledge.com](mailto:sales@golledge.com).

Following product selection you will be issued with a seven character Golledge part number. Your Golledge part number is the internationally accepted Golledge manufacturing part number (MPN) that should be used for all project documentation, including bills of materials (BoMs) and purchase orders.

If you have any queries regarding any of our documentation our dedicated sales team will be happy to help.

## TAPE & REEL SPECIFICATION



Dimensions in mm

A:250 B:12 C:5.4 D:3.6 E:8 F:1.4 G:80 H:21

---

## HANDLING & STORAGE

---



Human Body Model (HBM) 1A (250V to <500V)



Moisture Sensitivity Level (MSL): 1 (or not applicable)

---

## CONSTRUCTION

---

Ceramic base and lid

---

## COMPLIANCE

---



Lead-free (< 0.1% by weight)



RoHS compliant with no exemptions. [See our](#)

[declaration](#)



REACH compliant. [See our statement](#)



Free of conflict minerals. [See our declaration](#)



Free of Halogens. [See our declaration](#)



Free of Ozone-depleting substances. [See our](#)

[declaration](#)