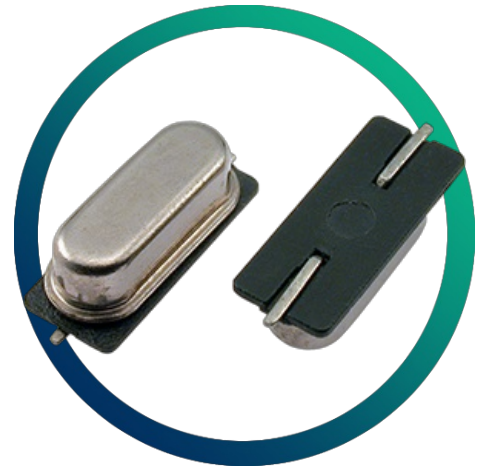


GSX49-4

4.3mm Low Profile SM Crystal

- Industry standard HC49 footprint
- Low profile case
- Fundamental mode available up to 50.0MHz
- Large stocks of standard frequencies
- Lowest cost SMD crystal



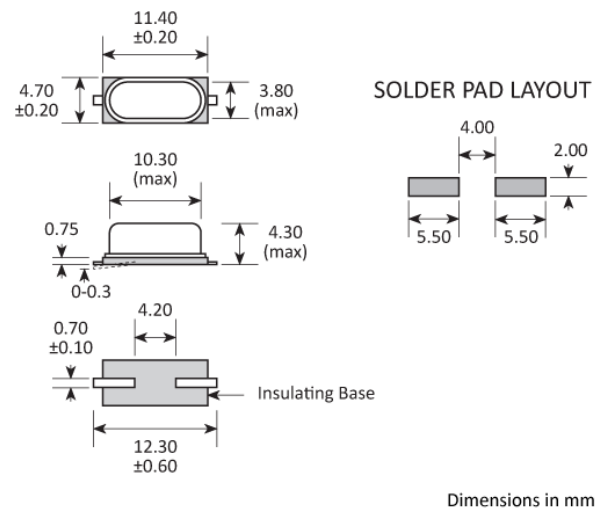
CONFIGURABLE OPTIONS

Parameter	Option Code
Frequency	
Calibration tolerance	
Any	
±20ppm	2
±30ppm	3
±50ppm	5
Temperature stability	
Any	
±30ppm	3
±50ppm	5
±100ppm	C
Operating temperature range	
Any	
-10 to +60 °C	1
-20 to +70 °C	2
-30 to +80 °C	3
-40 to +85 °C	4
Circuit condition	
Any	
12pF	B
16pF	D
18pF	E
20pF	F
30pF	J
Series resonant	S
Oscillation mode	
Any	
Fundamental	F
3rd overtone	3

*** IMPORTANT: Not normally available in small quantities of non-standard frequencies. Please check with us**

before ordering
SPECIFICATIONS

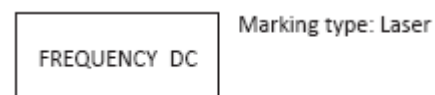
Frequency range	3.180 ~ 90.0MHz
Dimensions	11.4 x 4.7 x 4.3mm
Package	HC49-4H SMD
Storage temperature range	-40 to +90°C
Equivalent series resistance	300Ω max (>3.1 ~ 3.5MHz) 150Ω max (>3.5 ~ 4.0MHz) 120Ω max (>4.0 ~ 4.4MHz) 100Ω max (>4.4 ~ 7.0MHz) 70Ω max (>7.0 ~ 10.0MHz) 50Ω max (>10.0 ~ 50.0MHz, fund) 100Ω max (>25.0 ~ 90.0MHz, 3rd OT)
Static capacitance (C ₀)	7pF max
Ageing	±3ppm max first year
Test drive level	100μW
Net mass	560mg

PACKAGE DRAWING

ORDERING INFORMATION

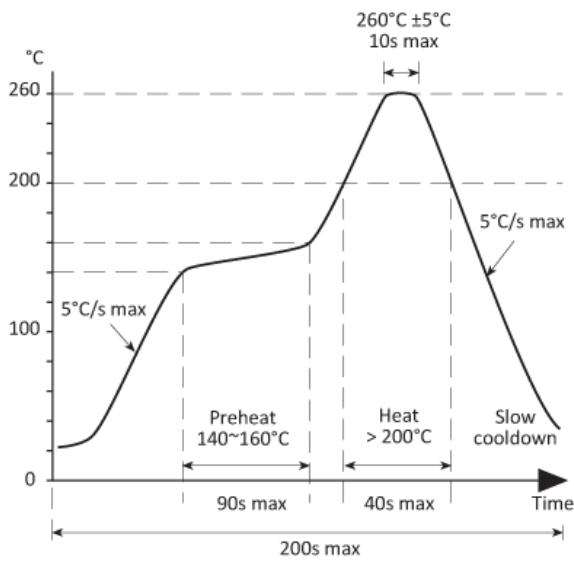
To request a quotation for the GSX49-4 please use the configurable options form to choose the options you require and then submit your configured product to our team. Our expert advisers are always happy to help with your requirements and can be contacted on +44 1460 256 100 or at sales@golledge.com.

Following product selection you will be issued with a seven character Golledge part number. Your Golledge part number is the internationally accepted Golledge manufacturing part number (MPN) that should be used for all project documentation, including bills of materials (BoMs) and purchase orders.

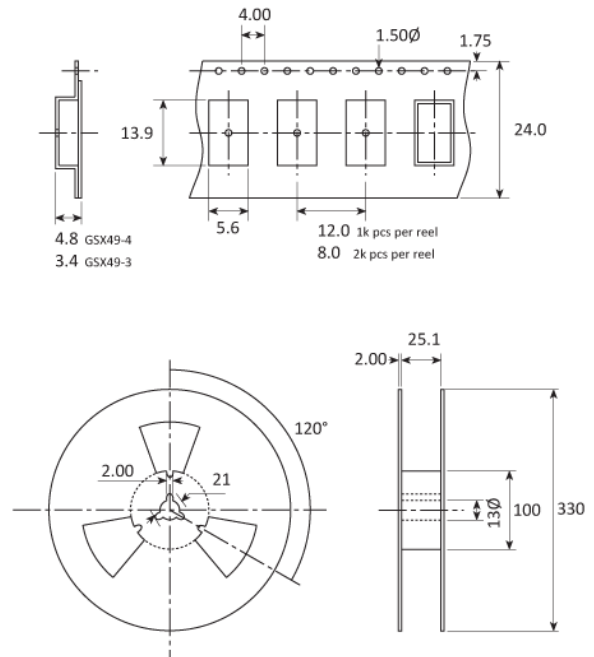
If you have any queries regarding any of our documentation our dedicated sales team will be happy to help.

MARKING


SOLDERING PROFILE



TAPE & REEL SPECIFICATION



Dimensions in mm

A:330 B:24 C:13.9 D:5.6 E:12 F:4.8 G:100 H:21

HANDLING & STORAGE



Human Body Model (HBM) 1A (250V to <500V)



Moisture Sensitivity Level (MSL): 1 (or not applicable)

CONSTRUCTION

Metal package, hermetic seal
Insulating base, formed leads

COMPLIANCE

Please refer to our **DOCUMENTS** section for more information.



Lead-free (< 0.1% by weight)



RoHS compliant with no exemptions.



REACH compliant.



Free of conflict minerals.



Free from halogens.



Free from ozone-depleting substances.