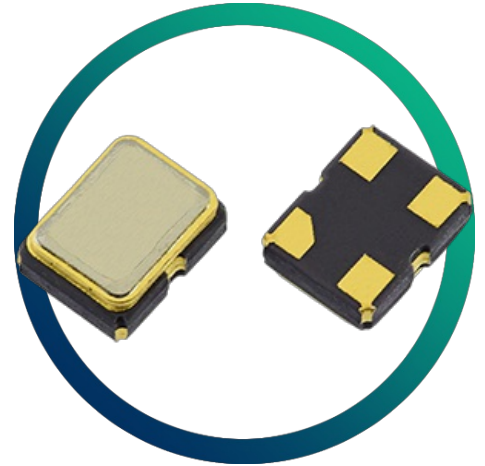


GTXO-251T

1.8V ~ 3.3V Ultra-tight stability TCXO with EN50155 compliance option



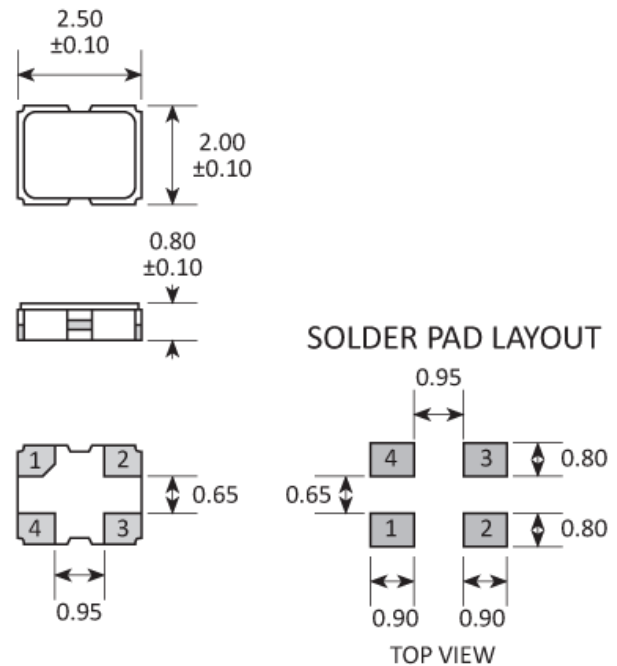
- Ideally suited for AIS, GPS and tracking applications
- ± 0.5 ppm frequency stability option
- Optional EN50155 compliance for railway applications
- Ultra-miniature 2520 SM package

CONFIGURABLE OPTIONS

Parameter	Option Code
Frequency	
Frequency stability	
Any	
± 2.0 ppm	
± 0.5 ppm	
Temperature range	
Any	
-20 to +75 °C	
-40 to +85 °C	
Supply voltage (V_{DD})	
Operable from 1.8V ~ 3.3V, please specify test voltage:	
3.3V	
Qualification	
Any	
Commercial	
EN50155	

SPECIFICATIONS

Frequency range	16.0 ~ 52.0MHz
Dimensions	2.5 x 2.0 x 0.8mm
Storage temperature range	-40 to +85°C
Supply voltage stability	±0.2ppm, V_{DD} ±5%
Load stability	±0.2ppm, Z_L ±10%
Frequency slope	±0.05ppm/°C over -30+85°C
Ageing	±1.0ppm max first year
Supply voltage (V_{DD})	Operable from 1.8V ~ 3.3V
Supply current	1.5mA max (up to 26MHz) 2.0mA max (26 ~ 32MHz) 2.5mA max (32 ~ 52MHz)
Output waveform	Clipped sine, 0.8V p-p
Test load (Z_L)	10kΩ // 10pF
Start up time	3ms max
Harmonics	-5dBc max
Phase noise	-135dBc/Hz @ 1kHz
Frequency tolerance @ 25°C	±2.0ppm max, 60mins after reflow

PACKAGE DRAWING


PAD	CONNECTION
1	Ground
2	Ground
3	Output
4	Supply

Dimensions in mm

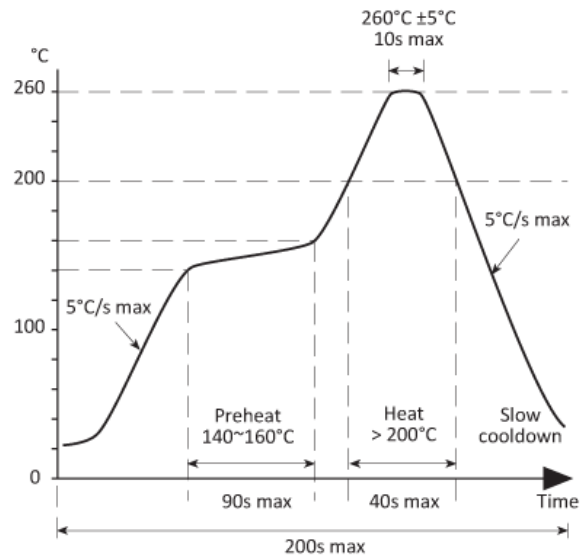
ORDERING INFORMATION

To request a quotation for the GTXO-251T please use the configurable options form to choose the options you require and then submit your configured product to our team. Our expert advisers are always happy to help with your requirements and can be contacted on +44 1460 256 100 or at sales@golledge.com.

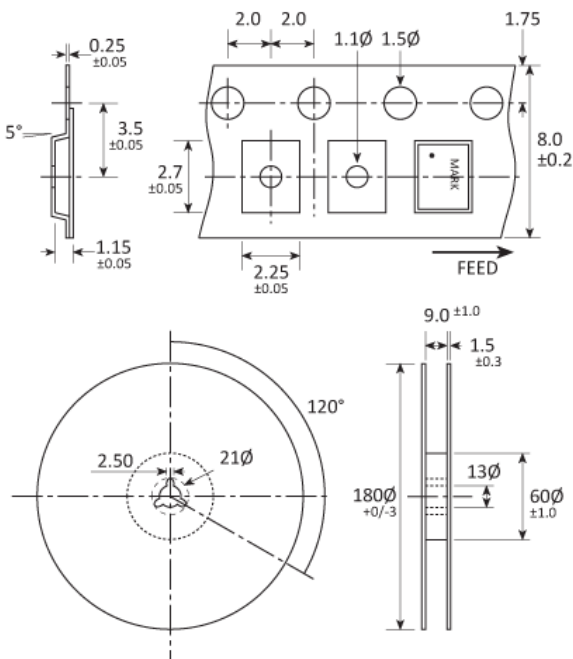
Following product selection you will be issued with a seven character Golledge part number. Your Golledge part number is the internationally accepted Golledge manufacturing part number (MPN) that should be used for all project documentation, including bills of materials (BoMs) and purchase orders.

If you have any queries regarding any of our documentation our dedicated sales team will be happy to help.

SOLDERING PROFILE



TAPE & REEL SPECIFICATION



Dimensions in mm

HANDLING & STORAGE



Human Body Model (HBM) 1A (250V to <500V)



Moisture Sensitivity Level (MSL): 1 (or not applicable)

CONSTRUCTION

Ceramic body with gold-plated pads
Metal lid, seam sealed

COMPLIANCE



Lead-free (< 0.1% by weight)



RoHS compliant with no exemptions. [See our declaration](#)



REACH compliant. [See our statement](#)



Free of conflict minerals. [See our declaration](#)



Free of Halogens. [See our declaration](#)



Free of Ozone-depleting substances. [See our declaration](#)