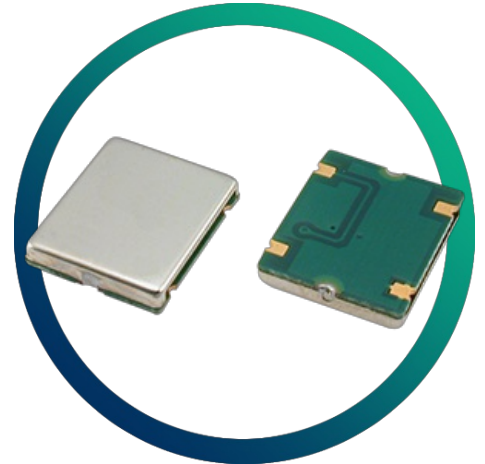


# GTXO-570A

## SM VCTCXO with $\pm 2.5$ ppm Stability and $\pm 20$ ppm Pullability



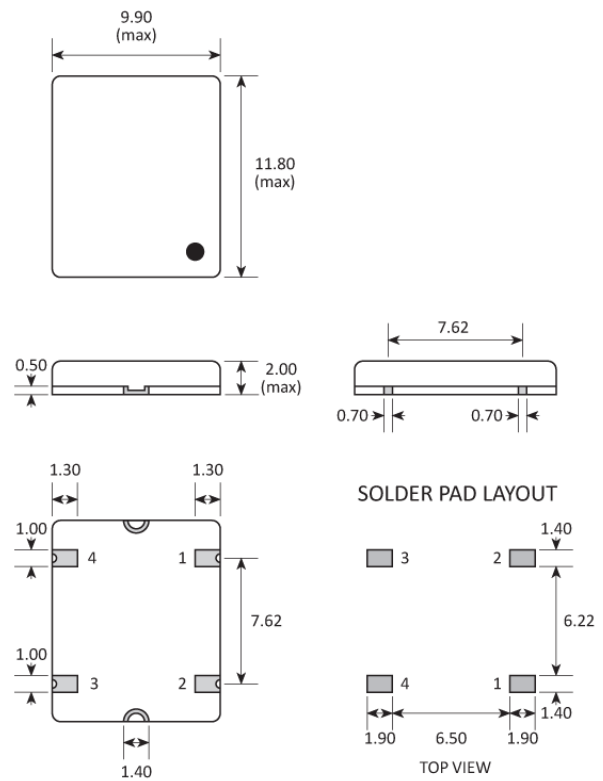
- Wide voltage control range of  $\pm 20$ ppm
- 2.0mm maximum height
- Good frequency stability of  $\pm 2.5$ ppm

### CONFIGURABLE OPTIONS

Parameter	Option Code
Frequency	
Frequency stability	
$\pm 2.5$ ppm	
Operating temperature range	
-30 to +75 °C	
Supply voltage ( $V_{DD}$ )	
Any	
+5.0V ( $\pm 5\%$ )	
+3.3V ( $\pm 5\%$ )	M
+3.0V ( $\pm 5\%$ )	L
Output waveform	
Any	
Clipped sine, 0.7V p-p, Test load 10k $\Omega$ // 10pF	
CMOS / 5 LSTTL	H
Frequency adjustment	
$\pm 20.0$ ppm min via control voltage	

**SPECIFICATIONS**

Frequency range	9.60 ~ 50.0MHz
Dimensions	11.8 x 9.9 x 2.0mm
Storage temperature range	-30 to +85 °C
Frequency vs supply voltage	±0.3ppm max ( $V_{DD} \pm 5\%$ )
Ageing	±1.0ppm max per year
Supply current	2.0mA max (Sine output) 15.0mA max (CMOS output)
Control voltage range	+2.5V ±2.0V (5.0V supply) +1.65V ±1.35V (3.3V supply) +1.5V ±1.0V (3.0V supply)
Startup time	4ms max
Preset frequency	±0.5ppm / +25 °C ±2 °C
Net mass	453mg

**PACKAGE DRAWING**


PAD	CONNECTION
1	Freq adjustment
2	Ground
3	Output
4	Supply

Dimensions in mm

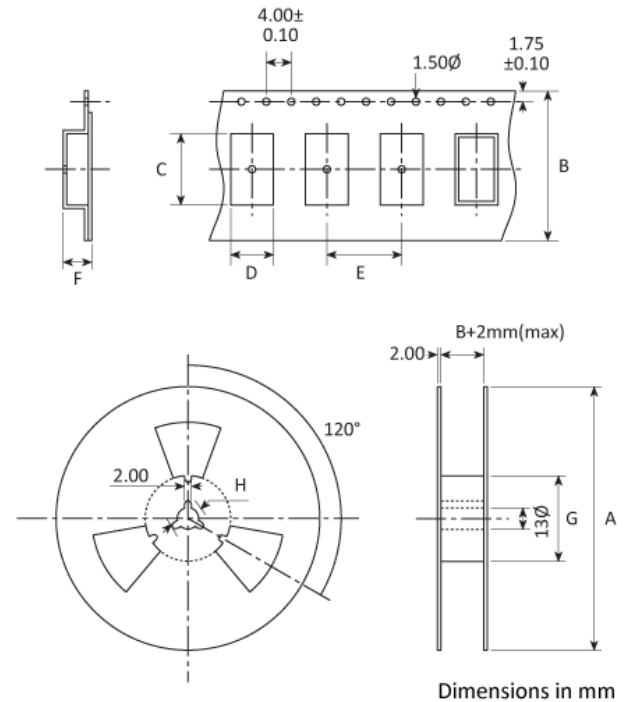
## ORDERING INFORMATION

To request a quotation for the GTXO-570A please use the configurable options form to choose the options you require and then submit your configured product to our team. Our expert advisers are always happy to help with your requirements and can be contacted on +44 1460 256 100 or at [sales@golledge.com](mailto:sales@golledge.com).

Following product selection you will be issued with a seven character Golledge part number. Your Golledge part number is the internationally accepted Golledge manufacturing part number (MPN) that should be used for all project documentation, including bills of materials (BoMs) and purchase orders.

If you have any queries regarding any of our documentation our dedicated sales team will be happy to help.

## TAPE & REEL SPECIFICATION



A:330 B:24 C:14 D:11 E:12 F:2.7 G:80 H:21

## HANDLING & STORAGE



Human Body Model (HBM) 1A (250V to <500V)



Moisture Sensitivity Level (MSL): 1 (or not applicable)

## CONSTRUCTION

PCB base with metal lid

## COMPLIANCE

---

Please refer to our **DOCUMENTS** section for more information.



RoHS compliant with no exemptions.



REACH compliant.



Free of conflict minerals.



Free from halogens.



Free from ozone-depleting substances.