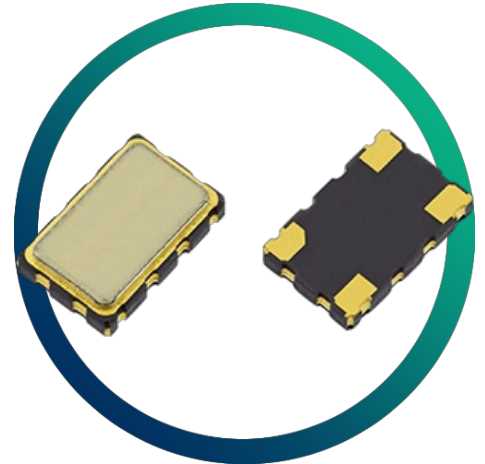


GTXO-83T

2.4V ~ 3.6V SM TCXO with Clipped Sine Output

- Low power consumption
- Supply voltage from 2.4V ~ 3.6V
- Miniature SM package
- Excellent frequency stability



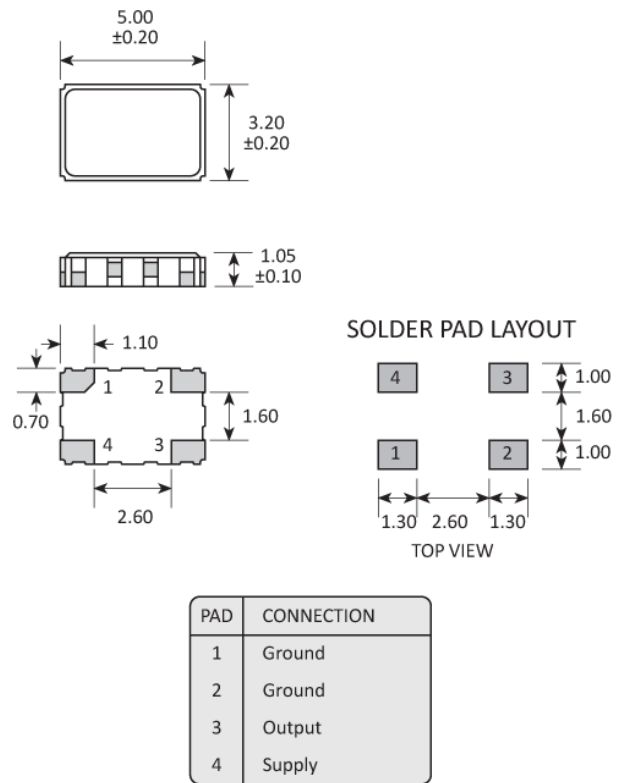
CONFIGURABLE OPTIONS

Parameter	Option Code
Frequency	
Frequency stability	
Any	
±3.0ppm max	K
±2.5ppm max	J
±2.0ppm max	H
±1.5ppm max	G
±1.0ppm max	F
Temperature range	
Any	
0 to +50°C	R
-10 to +60°C	C
-20 to +70°C	N
-30 to +75°C	S
-40 to +85°C	I

SPECIFICATIONS

Frequency range	9.5 ~ 45.0MHz
Dimensions	5.0 x 3.2 x 1.15mm
Storage temperature range	-40 to +85 °C
Supply voltage stability	±0.2ppm, $V_{DD} \pm 5\%$
Load stability	±0.2ppm, $Z_L \pm 10\%$
Ageing	±1.0ppm max first year
Supply voltage (V_{DD}) * see note below	+2.4V ~ +3.6V
Supply current (max)	1.5mA (9.5 ~ 20.0MHz) 2.0mA (20.0 ~ 32.0MHz) 2.5mA (32.0 ~ 45.0MHz)
Output waveform	Clipped sine, 0.8V p-p, +DC offset
Test load (Z_L)	10kΩ // 10pF
Start up time	3ms max
Phase noise (typ @ 20.0MHz)	-54dBc/Hz @ 1Hz -86dBc/Hz @ 10Hz -135dBc/Hz @ 1kHz -151dBc/Hz @ 100kHz
Frequency tolerance @ 25 °C	±2.0ppm max, 60mins after reflow

* Will operate within specification on any supply voltage from +2.4 V to +3.6V

PACKAGE DRAWING


Dimensions in mm

ORDERING INFORMATION

To request a quotation for the GTXO-83T please use the configurable options form to choose the options you require and then submit your configured product to our team. Our expert advisers are always happy to help with your requirements and can be contacted on +44 1460 256 100 or at sales@golledge.com.

Following product selection you will be issued with a seven character Golledge part number. Your Golledge part number is the internationally accepted Golledge manufacturing part number (MPN) that should be used for all project documentation, including bills of materials (BoMs) and purchase orders.

If you have any queries regarding any of our documentation our dedicated sales team will be happy to help.

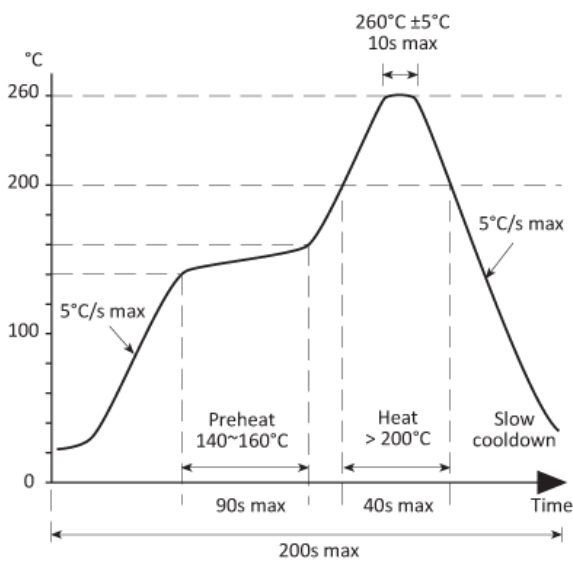
MARKING



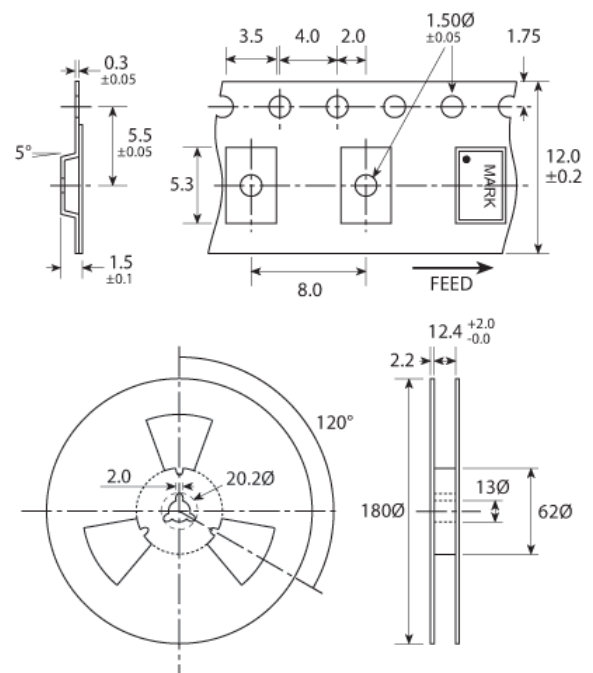
DC = Date Code in YM, eg. "GF" = Jun 2017

	A	B	C	D	E	F	G	H	J	K	L	M
Y	1	2	3	4	5	6	7	8	9	0		
M	Jan	Feb	Mar	Apr	May	Jun	Jul	Aug	Sep	Oct	Nov	Dec

SOLDERING PROFILE



TAPE & REEL SPECIFICATION



Dimensions in mm

HANDLING & STORAGE



Human Body Model (HBM) 1A (250V to <500V)



Moisture Sensitivity Level (MSL): 1 (or not applicable)

CONSTRUCTION

Ceramic body with gold-plated pads

Metal lid, seam sealed

COMPLIANCE

Please refer to our **DOCUMENTS** section for more information.



RoHS compliant with no exemptions.



REACH compliant.



Free of conflict minerals.



Free from halogens.



Free from ozone-depleting substances.