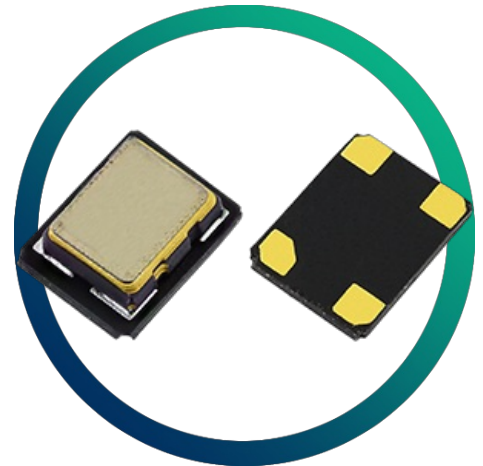


GTXO-93T

1.8V ~ 3.6V SM TCXO for GPS

- Analogue compensation - no steps
- Ideally suited for GPS applications
- Supply voltage from 1.8V ~ 3.6V
- Low power consumption
- Miniature SM package



CONFIGURABLE OPTIONS

Parameter	Option Code
Frequency	
Frequency stability	
Any	
±2.5ppm max	J
±2.0ppm max	H
±1.5ppm max	G
±0.5ppm max	E
Temperature range	
Any	
0 to +50°C	R
-10 to +60°C	C
-20 to +75°C	N
-30 to +85°C	S
-40 to +85°C	I

SPECIFICATIONS

Frequency range	10.0 ~ 52.0MHz
Dimensions	3.2 x 2.5 x 1.2mm
Storage temperature range	-40 to +85°C
Supply voltage stability	±0.2ppm, $V_{DD} \pm 5\%$
Load stability	±0.2ppm, $Z_L \pm 10\%$
Frequency slope	±0.05ppm/°C over -30+85°C
Ageing	±1.0ppm max first year
Supply voltage (V_{DD})	+1.8V ~ +3.6V
* see note below	
Supply current	1.5~2.0mA max
Output waveform	Clipped sine, 0.8V p-p, +DC offset
Test load (Z_L)	10kΩ // 10pF
Start up time	3ms max
Harmonics	-5dBc max
Phase noise	-130dBc/Hz @ 1kHz
Frequency tolerance @ 25°C	±2.0ppm max, 60mins after reflow
Net mass	33.2mg

*** Will operate within specification on any supply voltage from +1.8V to +3.6V**

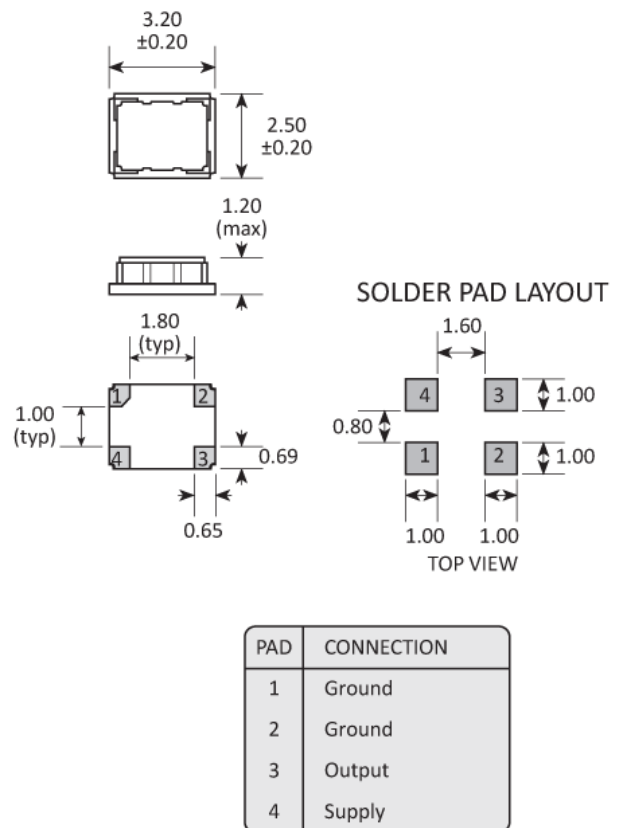
ORDERING INFORMATION

To request a quotation for the GTXO-93T please use the configurable options form to choose the options you require and then submit your configured product to our team. Our expert advisers are always happy to help with your requirements and can be contacted on +44 1460 256 100 or at sales@golledge.com.

Following product selection you will be issued with a seven character Golledge part number. Your Golledge part number is the internationally accepted Golledge manufacturing part number (MPN) that should be used for all project documentation, including bills of materials (BoMs) and purchase orders.

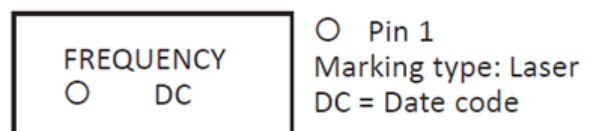
If you have any queries regarding any of our documentation our dedicated sales team will be happy to help.

PACKAGE DRAWING

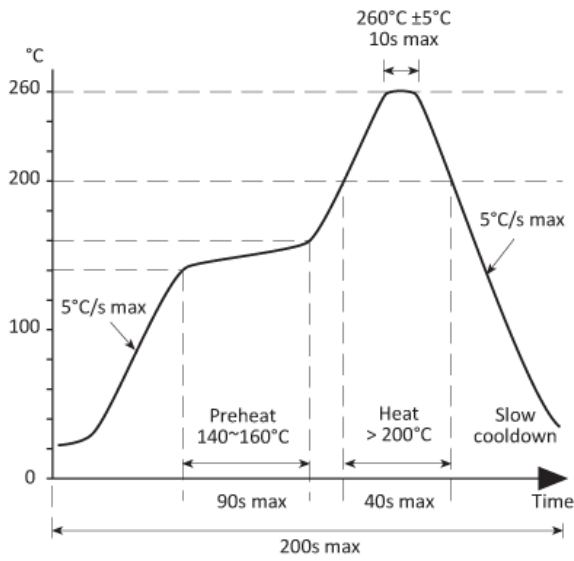


Dimensions in mm

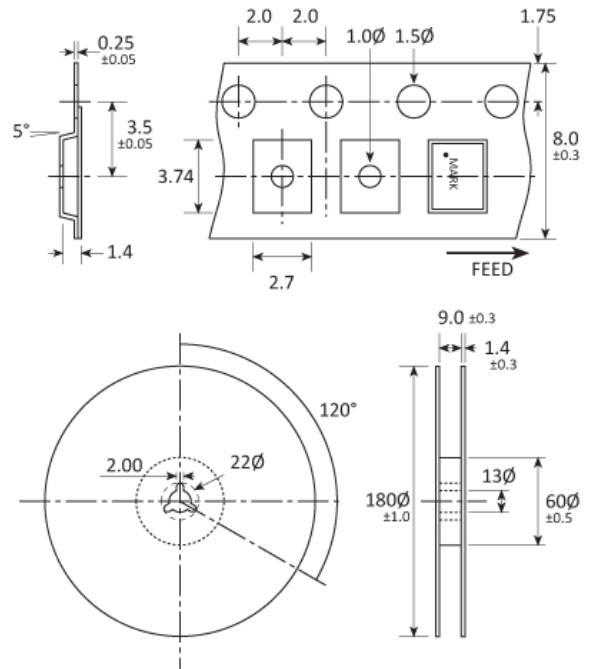
MARKING



SOLDERING PROFILE



TAPE & REEL SPECIFICATION



Dimensions in mm

HANDLING & STORAGE



Human Body Model (HBM) 1A (250V to <500V)



Moisture Sensitivity Level (MSL): 1 (or not applicable)

CONSTRUCTION

Ceramic body with gold-plated pads Metal lid, seam sealed

COMPLIANCE

Please refer to our **DOCUMENTS** section for more information.



Lead-free (< 0.1% by weight)



RoHS compliant with no exemptions.



REACH compliant.



Free of conflict minerals.



Free from halogens.



Free from ozone-depleting substances.