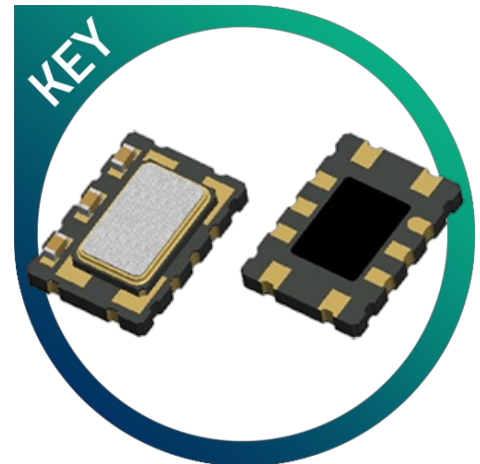


GTXO-C76T

CMOS TCXO High Precision High Temperature Tristate

- High Precision $\pm 0.05\text{ppm}$
- High Temperature Operation $+105^\circ\text{C}$
- CMOS output
- Tri-state function



CONFIGURABLE OPTIONS

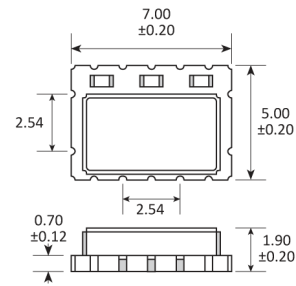
Parameter	Option Code
Frequency	
Frequency stability	
Any	
$\pm 0.05\text{ppm}$	A
$\pm 0.1\text{ppm}$	B
$\pm 0.2\text{ppm}$	P
$\pm 0.28\text{ppm}$	D
$\pm 0.5\text{ppm}$	E
$\pm 1.0\text{ppm}$	F
Temperature range	
Any	
-20 to $+70^\circ\text{C}$	N
-40 to $+85^\circ\text{C}$	I
-40 to $+95^\circ\text{C}$	E
-40 to $+95^\circ\text{C}$	E
-40 to $+105^\circ\text{C}$	D
Supply voltage (V_{DD})	
Any	
$+2.5\text{V} \pm 5\%$	J
$+3.3\text{V} \pm 5\%$	L

***Some combinations of frequency stability and wide temperature ranges may not be available. Our team will advise accordingly if this affects your enquiry.**

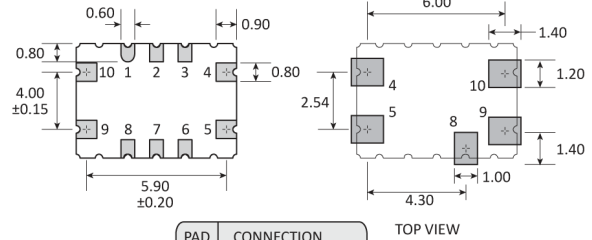
SPECIFICATIONS

Frequency range	10.0 ~ 52.0MHz
Dimensions	7.0 x 5.0 x 2.10
Storage temperature range	-55 to +125 °C
Supply voltage stability	±0.1ppm, $V_{DD} \pm 5\%$
Load stability	±0.05ppm, $Z_L \pm 10\%$
Ageing	±1.0ppm max first year
Supply current	7.5mA max
Driving ability	15pF CMOS
Waveform symmetry	45:55 @ 50% V_{DD}
Logic levels	'0' level = 10% V_{DD} max '1' level = 90% V_{DD} min
Start up time	5ms max
Phase noise (typ @ 20.0MHz)	-130dBc/Hz @ 100Hz -148dBc/Hz @ 1kHz -156dBc/Hz @ 10kHz
Frequency Tolerance @25 °C	±1.5ppm max, 60 mins after reflow

PACKAGE DRAWING



NOTE: To ensure optimal oscillator performance, place a by-pass capacitor of 0.1 μ F as close to the part as possible between V_{DD} and GND pads.



PAD	CONNECTION
1	Do not connect
2	Not connected
3	Not connected
4	Ground
5	Output
6	Do not connect
7	Not connected
8	Enable / disable
9	Supply (V_{DD})
10	Ground / NC

Dimensions in mm

ORDERING INFORMATION

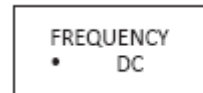
To request a quotation for the GTXO-C76T please use the configurable options form to choose the options you require and then submit your configured product to our team. Our expert advisers are always happy to help with your requirements and can be contacted on +44 1460 256 100 or at sales@golledge.com.

Once we've received your request our expert team will then produce a quotation tailored to meet your needs using the option codes you've selected.

Following product selection you will be issued with a seven character Golledge part number. Your Golledge part number is the internationally accepted Golledge manufacturing part number (MPN) that should be used for all project documentation, including bills of materials (BoMs) and purchase orders.

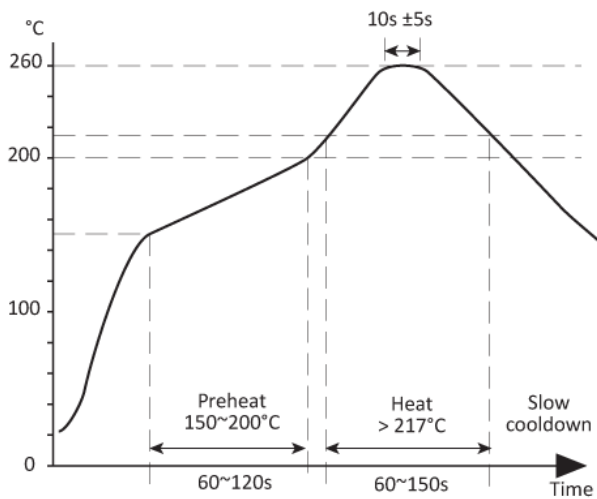
If you have any queries regarding any of our documentation our dedicated sales team will be happy to help.

MARKING



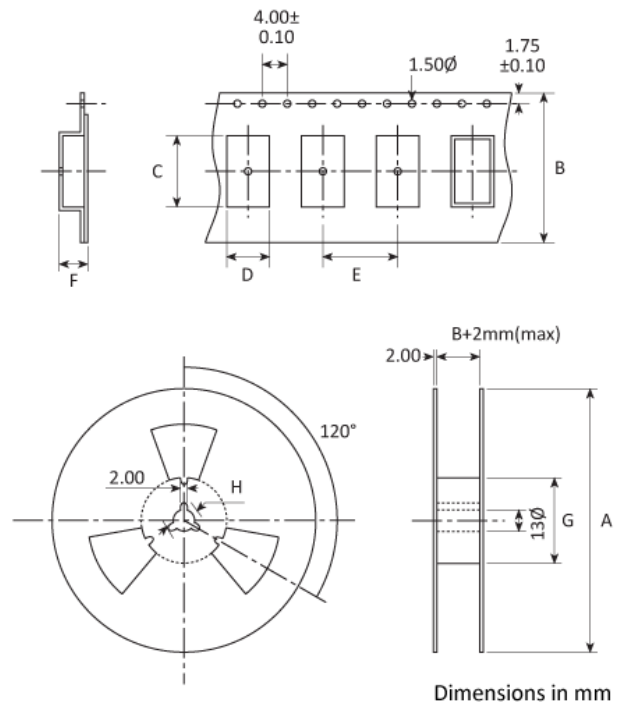
- Pin 1
- Marking type: Laser
DC = Date code

SOLDERING PROFILE



Lead free solderability limits: 260°C ±5°C x 10s ±5s x 2.

TAPE & REEL SPECIFICATION



HANDLING & STORAGE



Human Body Model (HBM) 1A (250V to <500V)



Moisture Sensitivity Level (MSL): 1 (or not applicable)

COMPLIANCE



Lead-free (< 0.1% by weight)



RoHS compliant with no exemptions. [See our declaration](#)



REACH compliant. [See our statement](#)



Free of conflict minerals. [See our declaration](#)



Free of Halogens. [See our declaration](#)



Free of Ozone-depleting substances. [See our declaration](#)