

GTXO-C86T

CMOS TCXO High Precision High Temperature

- High Precision $\pm 0.1\text{ppm}$
- High Temperature Operation $+105^\circ\text{C}$
- Tristate Function
- CMOS output
- Miniature SM package



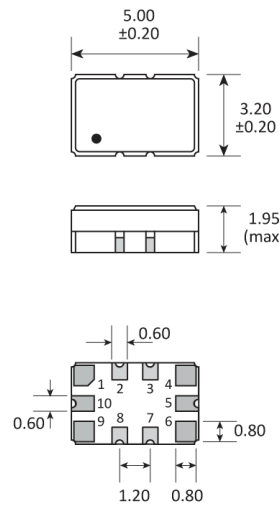
CONFIGURABLE OPTIONS

Parameter	Option Code
Frequency	
Frequency stability	
Any	
$\pm 0.05\text{ppm}$	A
$\pm 0.1\text{ppm}$	B
$\pm 0.2\text{ppm}$	P
$\pm 0.28\text{ppm}$	D
$\pm 0.5\text{ppm}$	E
$\pm 1.0\text{ppm}$	F
Temperature range	
Any	
-20 to $+70^\circ\text{C}$	N
-40 to $+85^\circ\text{C}$	I
-40 to $+95^\circ\text{C}$	E
-40 to $+105^\circ\text{C}$	D
Supply voltage (V_{DD})	
Any	
$+3.3\text{V} \pm 5\%$	L
$+2.5\text{V} \pm 5\%$	J

SPECIFICATIONS

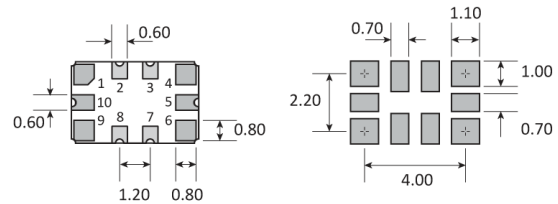
Frequency range	10.0 ~ 52.0MHz
Dimensions	5.0 x 3.2 x 1.95
Storage temperature range	-55 to +125 °C
Supply voltage stability	±0.1ppm, $V_{DD} \pm 5\%$
Ageing	±1.0ppm max first year
Supply current	7.5mA max
Driving ability	15pF CMOS
Waveform symmetry	45:55 @ 50% V_{DD}
Logic levels	'0' level = 10% V_{DD} max '1' level = 90% V_{DD} min
Start up time	5ms max
Rise / Fall time	6.5ns max
Phase noise (typ @ 20.0MHz)	-122dBc/Hz @ 100Hz -142dBc/Hz @ 1kHz -154dBc/Hz @ 10kHz -157dBc/Hz @ 100kHz -159dBc/Hz @ 1MHz
Frequency Tolerance @25 °C	±1.0ppm max

PACKAGE DRAWING



NOTE: To ensure optimal oscillator performance, place a by-pass capacitor of 0.1 μ F as close to the part as possible between V_{DD} and GND pads, plus one of 0.033 μ F from pad 7 to ground.

SOLDER PAD LAYOUT



TOP VIEW

PAD	CONNECTION
1	Not connected
2	Do not connect
3	Do not connect
4	Ground
5	Enable / disable
6	Output
7	VC filter
8	Not connected
9	Supply (V_{DD})
10	Ground

Dimensions in mm

ORDERING INFORMATION

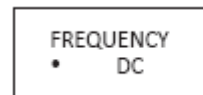
To request a quotation for the GTXO-C86T please use the configurable options form to choose the options you require and then submit your configured product to our team. Our expert advisers are always happy to help with your requirements and can be contacted on +44 1460 256 100 or at sales@golledge.com.

Once we've received your request our expert team will then produce a quotation tailored to meet your needs using the option codes you've selected.

Following product selection you will be issued with a seven character Golledge part number. Your Golledge part number is the internationally accepted Golledge manufacturing part number (MPN) that should be used for all project documentation, including bills of materials (BoMs) and purchase orders.

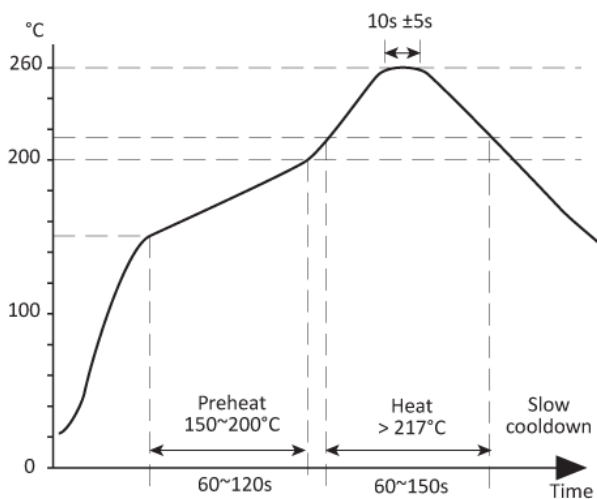
If you have any queries regarding any of our documentation our dedicated sales team will be happy to help.

MARKING



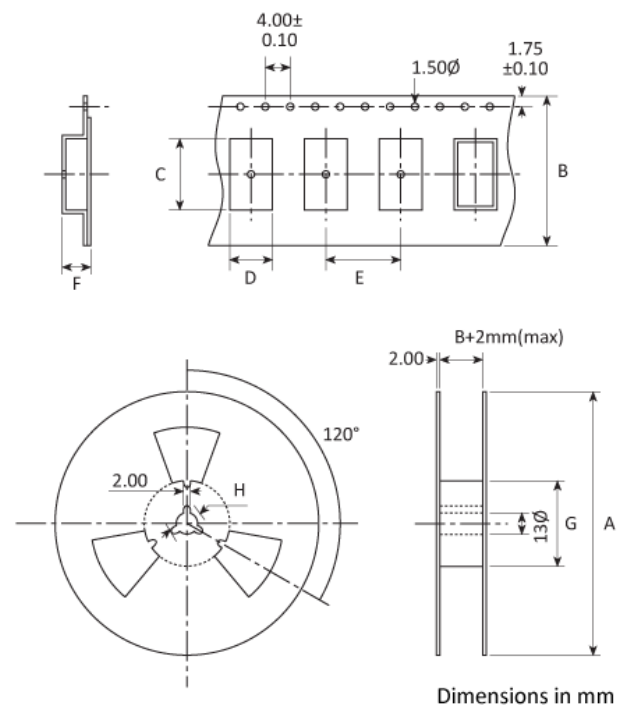
- Pin 1
- Marking type: Laser
- DC = Date code

SOLDERING PROFILE



Lead free solderability limits: 260°C ±5°C x 10s ±5s x 2.

TAPE & REEL SPECIFICATION



A:180 / B:13.0 / C:5.3 / D:3.5 / E:8.0 / F:1.9 / G:61

HANDLING & STORAGE



Human Body Model (HBM) 1A (250V to <500V)



Moisture Sensitivity Level (MSL): 1 (or not applicable)

COMPLIANCE



Lead-free (< 0.1% by weight)



RoHS compliant with no exemptions. [See our declaration](#)



REACH compliant. [See our statement](#)



Free of conflict minerals. [See our declaration](#)



Free of Halogens. [See our declaration](#)



Free of Ozone-depleting substances. [See our declaration](#)