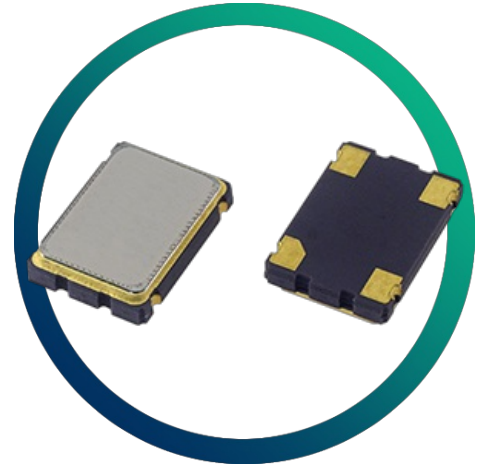


# GXO-7500G

## High Frequency, Tight Stability 1.8V Oscillator with 7050 Package



- High precision with tight stability options
- Wide operating temperature ranges
- High frequency fundamental - no multiplier
- Low & medium volumes also available
- Enable / disable tristate function

### CONFIGURABLE OPTIONS

Parameter	Option Code
Frequency	
Frequency stability * see note below	
Any	
±2.5ppm max over -40 to +85°C	H
±5.0ppm max over -40 to +85°C	G
±10ppm max over -40 to +85°C	F
±20ppm max over -40 to +105°C	D
±25ppm max over -40 to +125°C	A

\* Frequency stability is inclusive of calibration @ 25°C, operating temperature range, supply voltage change, load change, shock and vibration. Option H inclusive of calibration @ 25°C and operating temperature range only.

## SPECIFICATIONS

Frequency range	10.0 ~ 160MHz
Dimensions	7.0 x 5.0 x 1.4mm
Storage temperature range	-55 to +125 °C
Supply voltage (V <sub>DD</sub> )	+1.8V (±5%)
Supply current	11mA max (10.0 ~ 80.0MHz) 20mA max (80.0 ~ 160MHz)
Logic levels	'0' level = 10%V <sub>DD</sub> max '1' level = 90%V <sub>DD</sub> min
Start up time	5ms max
Waveform symmetry	45:55 max @ 50%V <sub>DD</sub>
Driving ability	15pF CMOS
Rise / fall time (10~90%V <sub>DD</sub> )	6ns max (≤40.0MHz) 3ns max (>40.0MHz)
Enable / disable function	Tristate (control via pad 1)
Stand-by current	10µA max
Phase jitter RMS	0.3ps typ (12kHz ~ 20.0MHz)

## ENABLE / DISABLE FUNCTION

Input (pad 1)	Output (pad 3)
Open	Enabled
'1' level	Enabled
'0' level	High Impedance

## ORDERING INFORMATION

To request a quotation for the GXO-7500G please use the configurable options form to choose the options you require and then submit your configured product to our team. Our expert advisers are always happy to help with your requirements and can be contacted on +44 1460 256 100 or at [sales@golledge.com](mailto:sales@golledge.com).

Following product selection you will be issued with a seven character Golledge part number. Your Golledge part number is the internationally accepted Golledge manufacturing part number (MPN) that should be used for all project documentation, including bills of materials (BoMs) and purchase orders.

If you have any queries regarding any of our documentation our dedicated sales team will be happy to help.

## MARKING

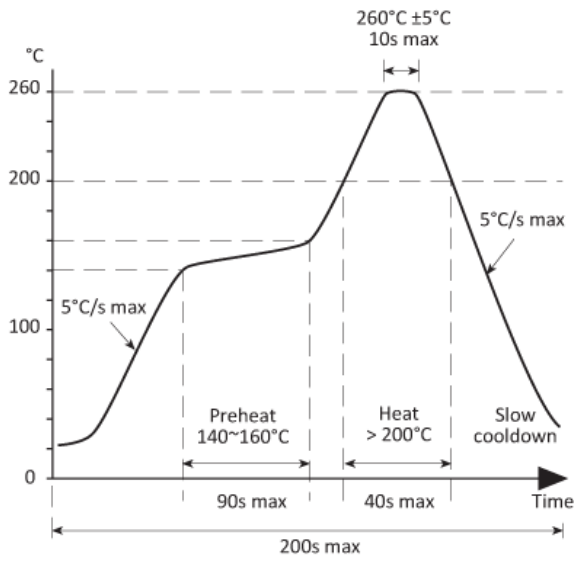
FREQUENCY DC  
PART NO

Marking type: Laser

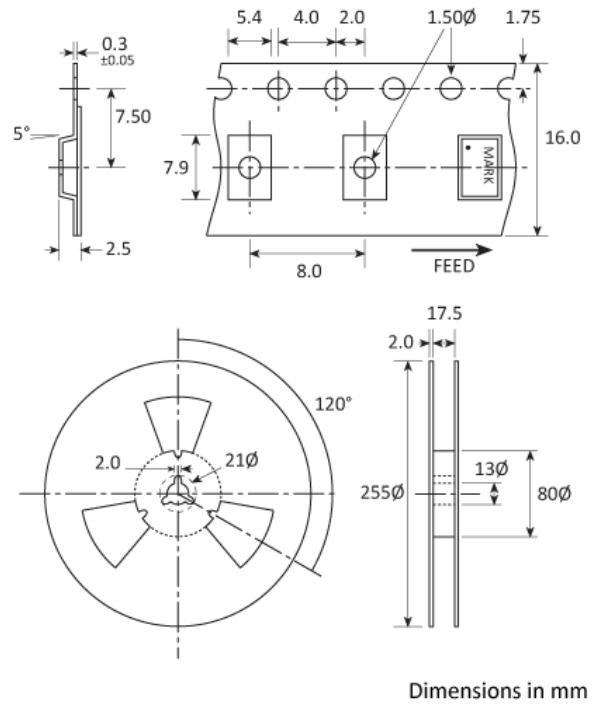
DC = Date Code in YM, eg. "GF" = Jun 2017

	A	B	C	D	E	F	G	H	J	K	L	M
Y	1	2	3	4	5	6	7	8	9	0		
M	Jan	Feb	Mar	Apr	May	Jun	Jul	Aug	Sep	Oct	Nov	Dec

**SOLDERING PROFILE**



**TAPE & REEL SPECIFICATION**



**HANDLING & STORAGE**



Human Body Model (HBM) 1A (250V to <500V)



Moisture Sensitivity Level (MSL): 1 (or not applicable)

**CONSTRUCTION**

Ceramic body with gold-plated pads  
Metal lid, seam sealed

## COMPLIANCE

---



Lead-free (< 0.1% by weight)



RoHS compliant with no exemptions. [See our](#)

[declaration](#)



REACH compliant. [See our statement](#)



Free of conflict minerals. [See our declaration](#)



Free of Halogens. [See our declaration](#)



Free of Ozone-depleting substances. [See our](#)

[declaration](#)