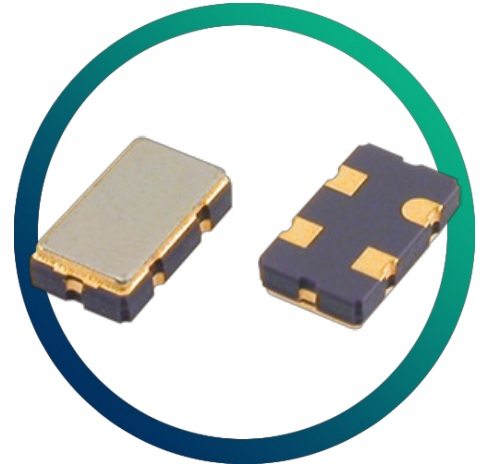


# GXO-U113S

## 5.0V Low Current Consumption 4-Pad Oscillator



- Low current consumption
- Enable / disable tristate function

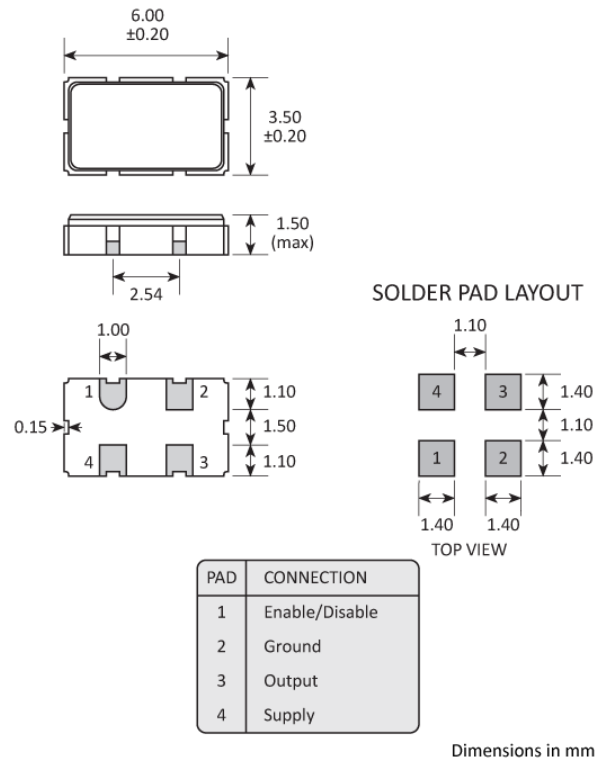
### CONFIGURABLE OPTIONS

Parameter	Option Code
Frequency	
Frequency stability	
Any	
±100ppm	
±50ppm	B
±25ppm	A
Operating temperature range	
Any	
-10 to +70 °C	
-40 to +85 °C	I

## SPECIFICATIONS

Frequency range	1.8 ~ 50.0MHz
Dimensions	6.0 x 3.5 x 1.5mm
Storage temperature range	-55 to +125 °C
Supply voltage ( $V_{DD}$ )	+5.0V ( $\pm 10\%$ )
Supply current	25mA max (1.8 ~ 32.0MHz) 35mA max (>32.0 ~ 50.0MHz)
Logic levels	'0' level = 10% $V_{DD}$ max '1' level = 90% $V_{DD}$ min
Start up time	5ms max (<32MHz) 10ms max (>32MHz)
Waveform symmetry	40:60 max @ 50% $V_{DD}$
Driving ability	10 LSTTL 15pF CMOS
Rise / fall time	10ns max 7ns max
Enable / disable function	Tristate (control via pad 1) 100ns / 100ns max
Stand-by current (power-saving)	10 $\mu$ A

## PACKAGE DRAWING



## ORDERING INFORMATION

To request a quotation for the GXO-U113S please use the configurable options form to choose the options you require and then submit your configured product to our team. Our expert advisers are always happy to help with your requirements and can be contacted on +44 1460 256 100 or at [sales@golledge.com](mailto:sales@golledge.com).

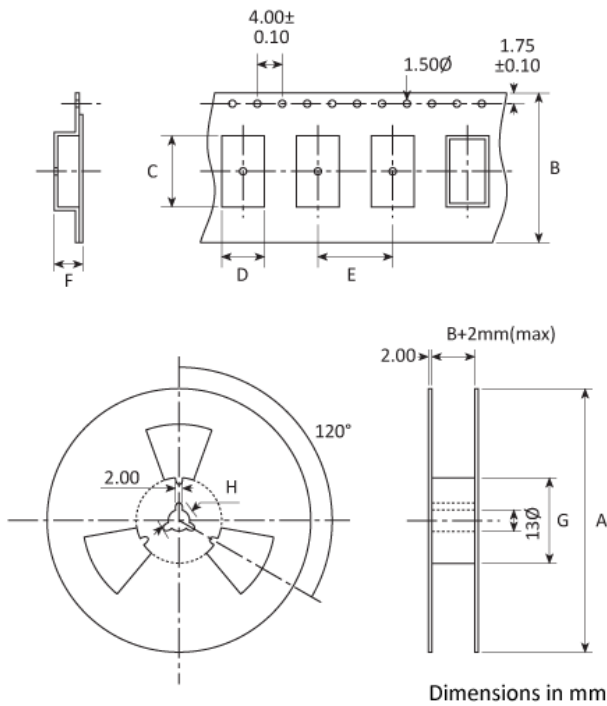
Following product selection you will be issued with a seven character Golledge part number. Your Golledge part number is the internationally accepted Golledge manufacturing part number (MPN) that should be used for all project documentation, including bills of materials (BoMs) and purchase orders.

If you have any queries regarding any of our documentation our dedicated sales team will be happy to help.

## ENABLE / DISABLE FUNCTION

Input (pad 1)	Output (pad 3)
Open	Enabled
'1' level	Enabled
'0' level	High Impedance

## TAPE & REEL SPECIFICATION



A:255 B:12 C:6.4 D:3.9 E:8 F:1.9 G:80 H:25

## CONSTRUCTION

Ceramic base with metal lid

## HANDLING & STORAGE



Human Body Model (HBM) 1A (250V to <500V)



Moisture Sensitivity Level (MSL): 1 (or not applicable)

## COMPLIANCE



Lead-free (< 0.1% by weight)



RoHS compliant with no exemptions. [See our declaration](#)



REACH compliant. [See our statement](#)



Free of conflict minerals. [See our declaration](#)



Free of Halogens. [See our declaration](#)



Free of Ozone-depleting substances. [See our declaration](#)