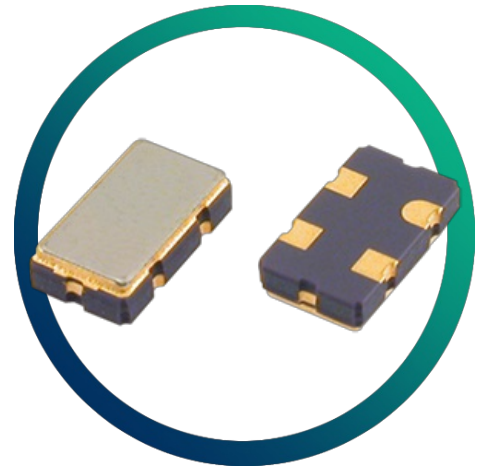


# GXO-U114G

## 1.8V Oscillator with Low Power Consumption

- Low voltage and power consumption
- Enable / disable tristate function



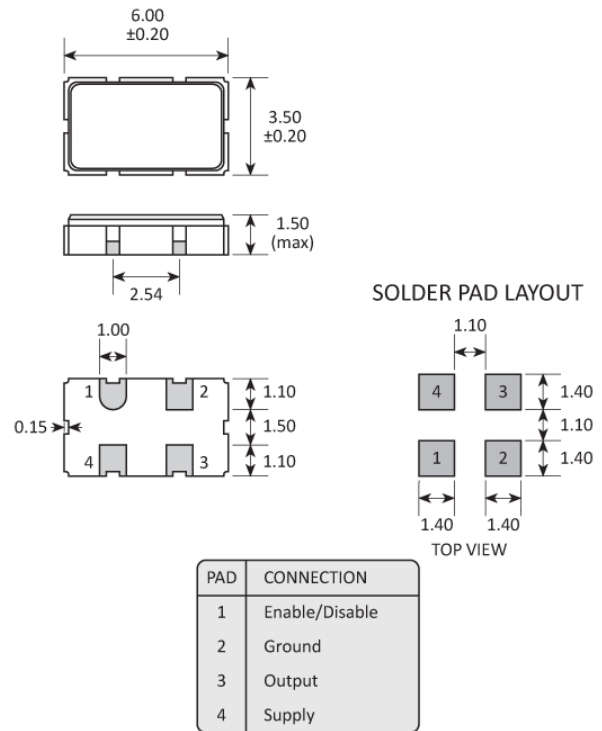
### CONFIGURABLE OPTIONS

Parameter	Option Code
Frequency	
Frequency stability	
Any	
±100ppm	
±50ppm	B
±25ppm	A
Operating temperature range	
Any	
-10 to +70 °C	
-40 to +85 °C	I

## SPECIFICATIONS

Frequency range	30.0 ~ 70.0MHz
Dimensions	6.0 x 3.5 x 1.5mm
Storage temperature range	-55 to +125 °C
Supply voltage ( $V_{DD}$ )	+1.8V ( $\pm 5\%$ )
Supply current	15mA max
Logic levels	'0' level = 20% $V_{DD}$ max '1' level = 80% $V_{DD}$ min
Start up time	10ms max
Waveform symmetry	40:60 max @ 50% $V_{DD}$
Driving ability	15pF CMOS
Rise / fall time	3.5ns max
Enable / disable function	Tristate (control via pad 1) 100ns / 100ns max

## PACKAGE DRAWING



Dimensions in mm

## ORDERING INFORMATION

To request a quotation for the GXO-U114G please use the configurable options form to choose the options you require and then submit your configured product to our team. Our expert advisers are always happy to help with your requirements and can be contacted on +44 1460 256 100 or at [sales@golledge.com](mailto:sales@golledge.com).

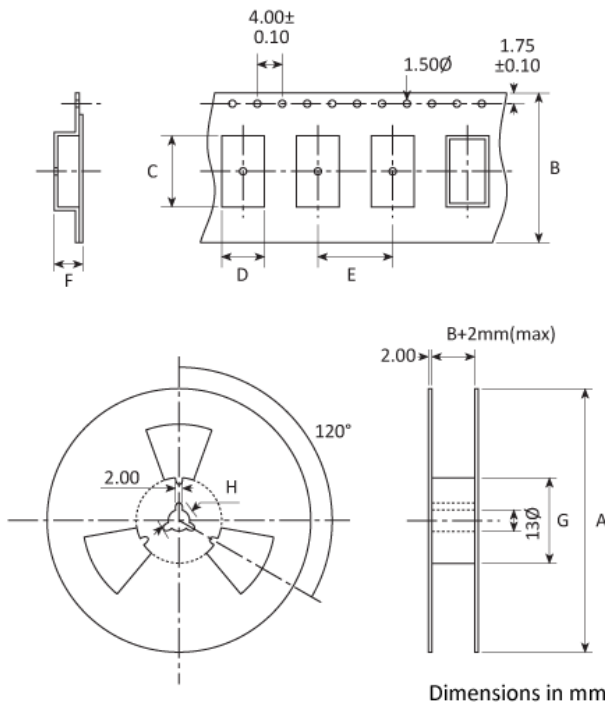
Following product selection you will be issued with a seven character Golledge part number. Your Golledge part number is the internationally accepted Golledge manufacturing part number (MPN) that should be used for all project documentation, including bills of materials (BoMs) and purchase orders.

If you have any queries regarding any of our documentation our dedicated sales team will be happy to help.

## ENABLE / DISABLE FUNCTION

Input (pad 1)	Output (pad 3)
Open	Enabled
'1' level	Enabled
'0' level	High Impedance

**TAPE & REEL SPECIFICATION**



A:255 B:12 C:6.4 D:3.9 E:8 F:1.9 G:80 H:25

**CONSTRUCTION**

Ceramic base with metal lid

**HANDLING & STORAGE**



Human Body Model (HBM) 1A (250V to <500V)



Moisture Sensitivity Level (MSL): 1 (or not applicable)

**COMPLIANCE**



Lead-free (< 0.1% by weight)



RoHS compliant with no exemptions. [See our declaration](#)



REACH compliant. [See our statement](#)



Free of conflict minerals. [See our declaration](#)



Free of Halogens. [See our declaration](#)



Free of Ozone-depleting substances. [See our declaration](#)