

# HCD381

## Very High Frequency OCXO with Ultra-low Phase Noise and CMOS Output



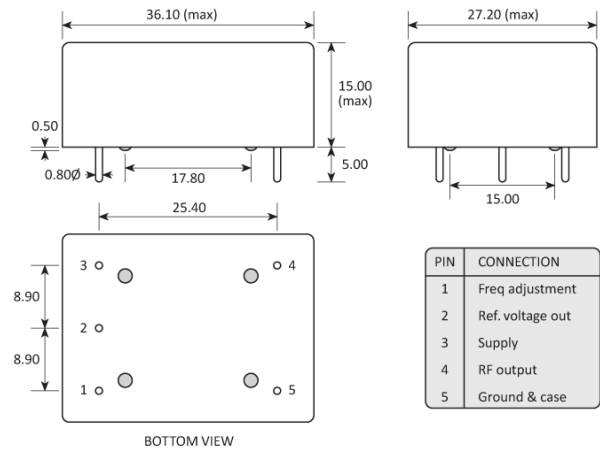
- -160dBc/Hz noise floor
- Frequencies up to 100MHz
- No multiplier
- Standard European IEC CO-08 pin-out
- Custom options available

### CONFIGURABLE OPTIONS

Parameter	Option Code
Frequency	
Ageing per day (at despatch)	
Any	
< 5x10 <sup>-9</sup>	B
< 3x10 <sup>-9</sup>	C
< 1x10 <sup>-9</sup>	D
Temperature stability	
Any	
< 5x10 <sup>-8</sup>	N
< 2x10 <sup>-8</sup>	P
< 1x10 <sup>-8</sup>	R
Operating temperature range	
Any	
0 to +50°C	A
-10 to +60°C	C
-20 to +70°C	F
Supply voltage (V <sub>DD</sub> )	
Any	
+9V (±0.5V)	M
+12V (±0.5V)	N
+15V (±0.5V)	P
+18V (±0.5V)	R

**SPECIFICATIONS**

Frequency range	30.0 ~ 100MHz
Dimensions	36.1 x 27.2 x 15.5mm
Frequency stability	< 1 to $5 \times 10^{-7}$ per year < $5 \times 10^{-9}$ per 10% change in $V_{DD}$
Storage temperature range	-40 to +90°C
Output waveform	CMOS / TTL compatible
Frequency adjustment	$\pm 5 \times 10^{-7}$ (typ) over +0.5 to +6.0V (sufficient for 10 years ageing min) Stabilised +6.0V supply provided
Power consumption	4.5W max at switch on 1.0W typ when stabilised at +25°C
Warm up	< $5 \times 10^{-8}$ after 10mins at +25°C
Allan deviation (ADEV), 1 sec	< $2 \times 10^{-11}$
Phase noise (@ 50.0MHz)	< -75 dBc/Hz @ 1Hz < -105 dBc/Hz @ 10Hz < -135 dBc/Hz @ 100Hz < -150 dBc/Hz @ 1kHz < -160 dBc/Hz @ 10kHz < -160 dBc/Hz @ 50kHz
Shock (IEC 68-2-27 Test Ea)	50g for 11ms
Vibration (IEC 68-2-06 Test Fc)	10-55Hz, 1.5mm. 55-500Hz, 10g

**PACKAGE DRAWING**


## ORDERING INFORMATION

---

To request a quotation for the HCD381 please use the configurable options form to choose the options you require and then submit your configured product to our team. Our expert advisers are always happy to help with your requirements and can be contacted on +44 1460 256 100 or at [sales@golledge.com](mailto:sales@golledge.com).

Following product selection you will be issued with a seven character Golledge part number. Your Golledge part number is the internationally accepted Golledge manufacturing part number (MPN) that should be used for all project documentation, including bills of materials (BoMs) and purchase orders.

If you have any queries regarding any of our documentation our dedicated sales team will be happy to help.

## CONSTRUCTION

---

Solder sealed metal can

## HANDLING & STORAGE

---



Human Body Model (HBM) 1A (250V to <500V)



Moisture Sensitivity Level (MSL): 1 (or not applicable)

## COMPLIANCE

---



Lead-free (< 0.1% by weight )



RoHS compliant with no exemptions. [See our declaration](#)



REACH compliant. [See our statement](#)



Free of conflict minerals. [See our declaration](#)



Free of Halogens. [See our declaration](#)



Free of Ozone-depleting substances. [See our declaration](#)