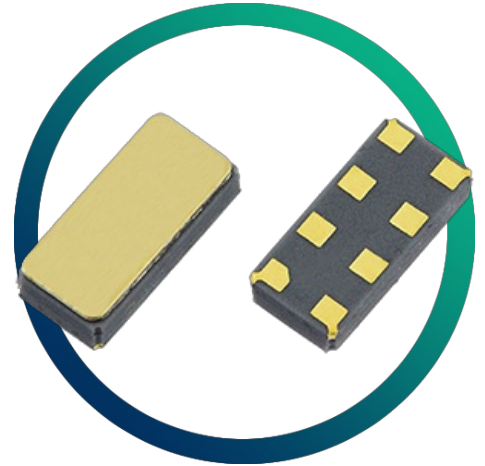


# RV-8063-C7

## Low Power SPI bus RTC

- Low Power of just 190nA typ.
- 3 line SPI-bus with maximum data rate of 7 Mbit/s
- AEC-Q200 compliant option
- Programmable alarm, timer and offset

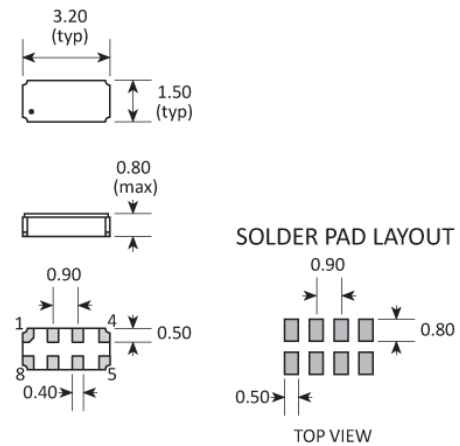


### CONFIGURABLE OPTIONS

Parameter	Option Code
Frequency tolerance	
±20ppm	B
Qualification	
Any	
Commercial	
AEC-Q200 (Automotive)	A

**SPECIFICATIONS**

Frequencies (selectable)	32.768kHz down to 1Hz
Dimensions	3.2 x 1.5 x 0.8mm
Turnover temperature (T <sub>0</sub> )	+25°C ±5°C
Frequency / temp coefficient	-0.035ppm/°C <sup>2</sup> ±10%
Operating temperature range	-40 to +85°C
Storage temperature range	-55 to +125°C
Supply voltage (V <sub>DD</sub> )	SPI-bus active 1.8 ~ 5.5V Time-keeping mode 0.9 ~ 5.5V
Supply current (during access)	40µA typ (f <sub>scl</sub> =1MHz, V <sub>DD</sub> =3V)
Supply current (time-keeping)	190/240nA typ/max (f <sub>scl</sub> =0Hz, V <sub>DD</sub> =3V)
Ageing	±3ppm max first year
Shock and vibration resistance	±5ppm, 5,000g, 0.3ms, ½ sine ±5ppm, 20g, 10.0 ~ 2,000Hz
Soldering condition	Reflow, 260°C, 20 sec max
Net mass	11.4mg

**PACKAGE DRAWING**


PAD	CONNECTION	PAD	CONNECTION
1	Serial data (SDIO)	5	Supply voltage (VDD)
2	Ground and lid (VSS)	6	Frequency output (CLKOUT)
3	Clock output enable (CLKOE)	7	Serial clock input (SCL)
4	Interrupt output (INT)	8	Chip enable (CE)

Dimensions in mm

## ORDERING INFORMATION

To request a quotation for the RV-8063-C7 please use the configurable options form to choose the options you require and then submit your configured product to our team. Our expert advisers are always happy to help with your requirements and can be contacted on +44 1460 256 100 or at [sales@golledge.com](mailto:sales@golledge.com).

Following product selection you will be issued with a seven character Golledge part number. Your Golledge part number is the internationally accepted Golledge manufacturing part number (MPN) that should be used for all project documentation, including bills of materials (BoMs) and purchase orders.

If you have any queries regarding any of our documentation our dedicated sales team will be happy to help.

## APPLICATIONS

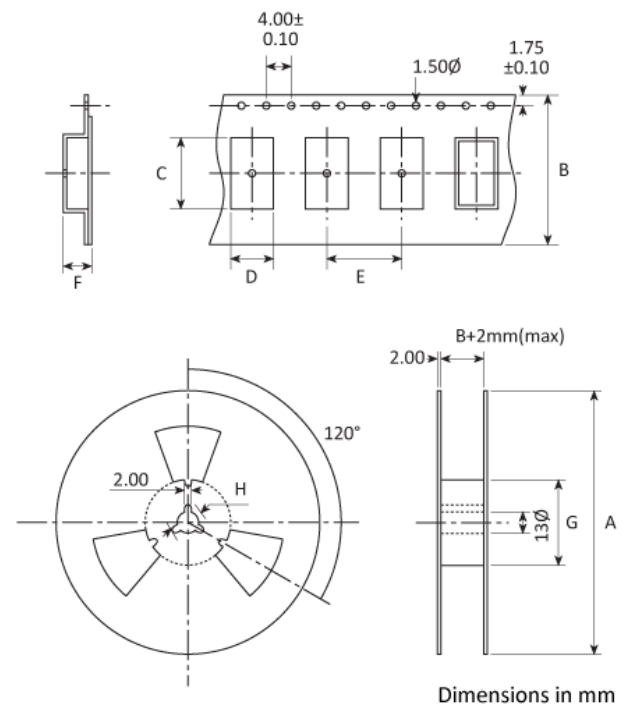
The RV-8063-C7 real time clock is a versatile component suitable for a wide range of applications and uses including:

- Automotive
- Health Care
- IoT
- Industrial
- Metering
- Portable Devices
- Wearables

## TECHNICAL RESOURCES

[RV-8063-C7\\_App-Manual.pdf](#)

## TAPE & REEL SPECIFICATION



A:178\* / B:12 / C:3.5 / D:1.8 / E:4 / F:1 / G:61 / H:21

\*Larger reel size available. Please ask for details

## HANDLING & STORAGE



Human Body Model (HBM) 1A (250V to <500V)



Moisture Sensitivity Level (MSL): 1 (or not applicable)

## COMPLIANCE



Lead-free (< 0.1% by weight)



RoHS compliant with no exemptions. [See our declaration](#)



REACH compliant. [See our statement](#)



Free of conflict minerals. [See our declaration](#)



Free of Halogens. [See our declaration](#)



Free of Ozone-depleting substances. [See our declaration](#)

## CONSTRUCTION

Ceramic package

Hermetically sealed with metal lid

Gold flashed pads

## SUPPLY PARTNER



The RV-8063-C7 is manufactured by Micro Crystal and stocked and supplied by Golledge.

## BLOCK DIAGRAM

